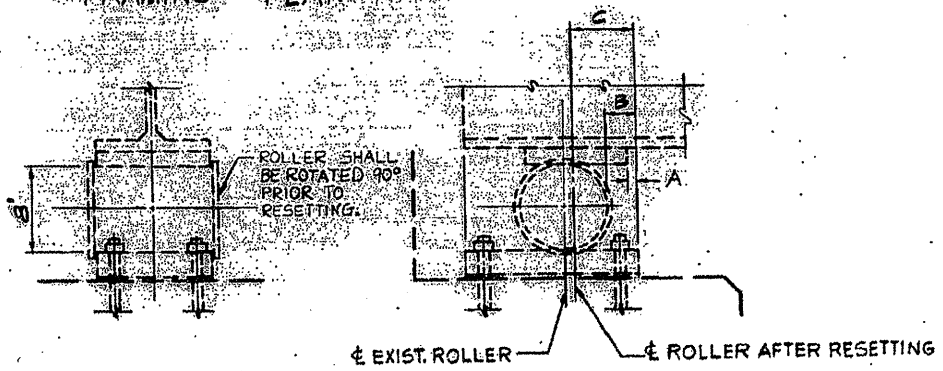
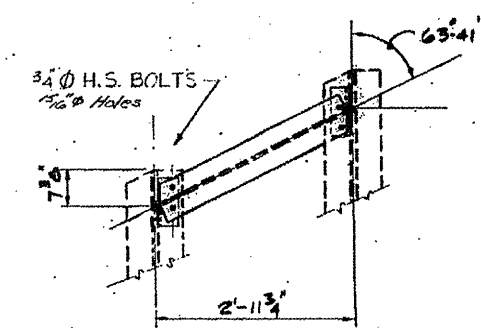
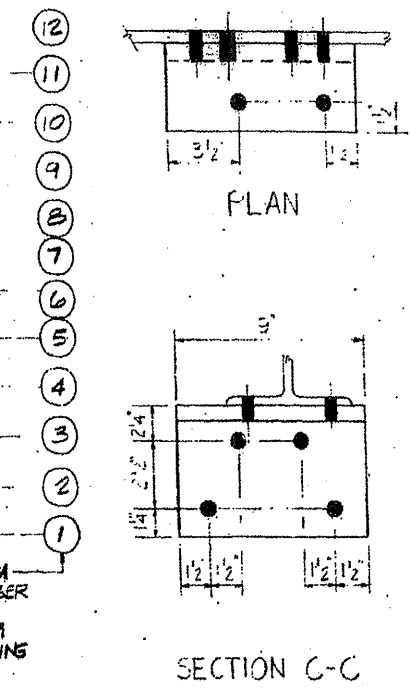
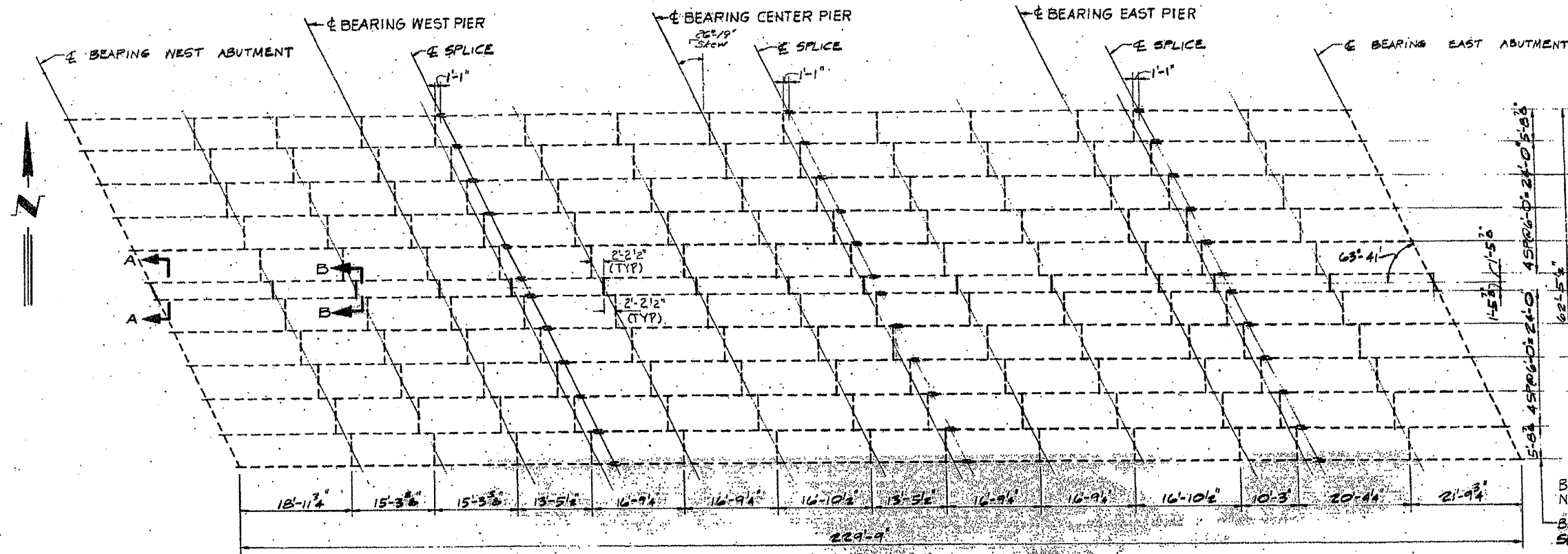
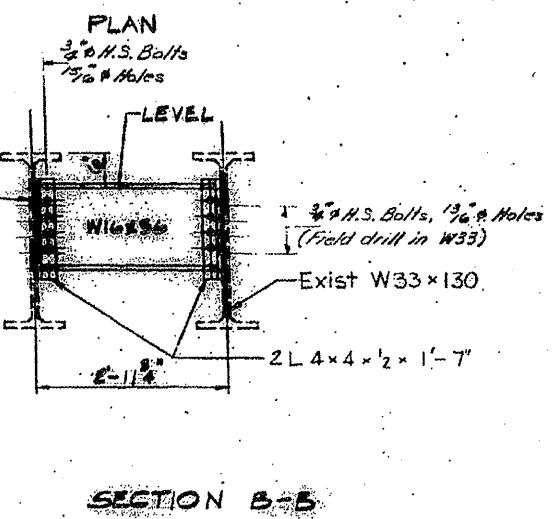
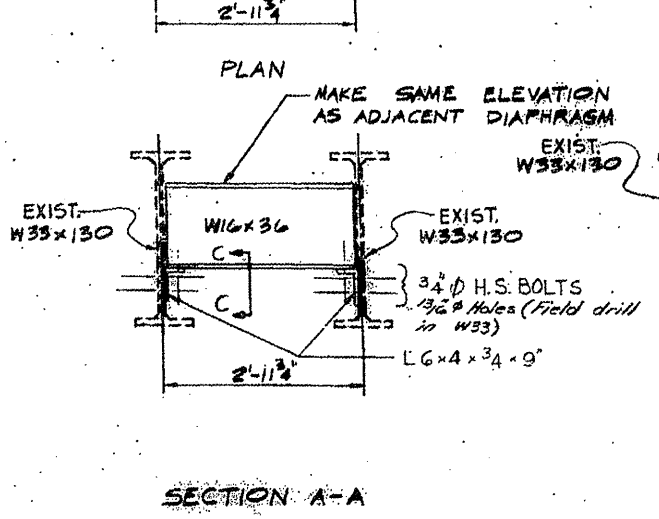


| | | | | |
|------------------|------------------------|-------------------|--------------------|--------------------|
| ROUTE VARIOUS | SECTION 2010-023 BP | COUNTY VARIOUS | TOTAL SHEETS 93 | SHEET NUMBER 24 |
|------------------|------------------------|-------------------|--------------------|--------------------|

CONTRACT NO. 60K48



ALL BEAMS W33X130
ALL DIAPHRAGMS W16X36



ILLINOIS DEPARTMENT OF
TRANSPORTATION

EXISTING BRIDGE PLAN

LOCATION 4: SN 016-0821
GLENVIEW RD. OVER I-94