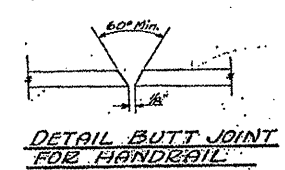
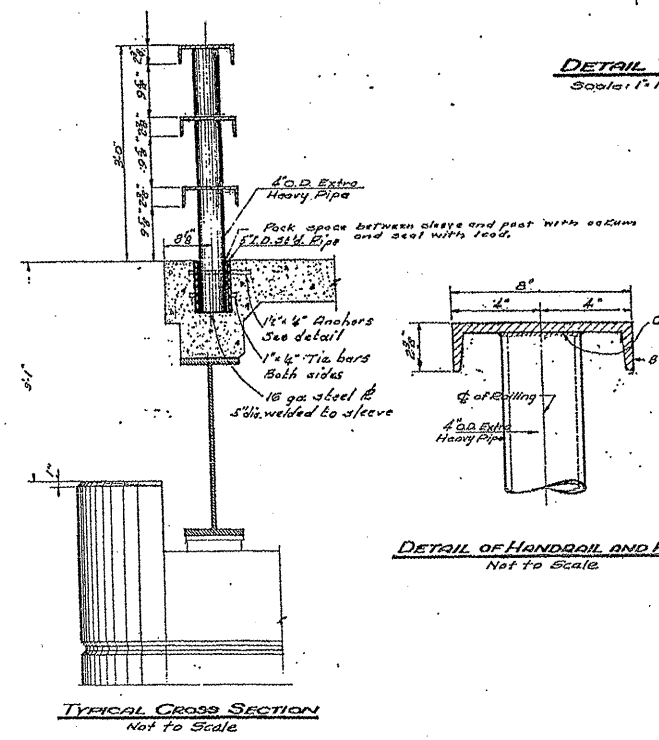
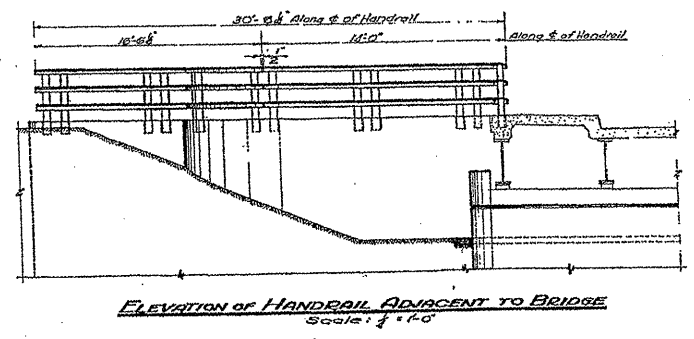
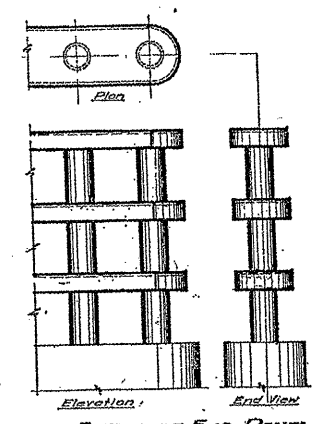
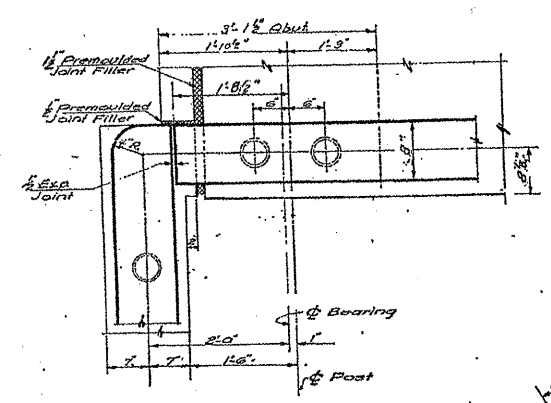
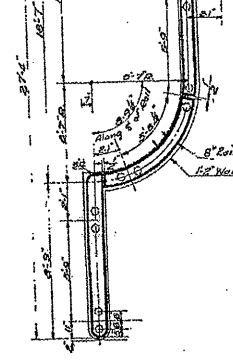
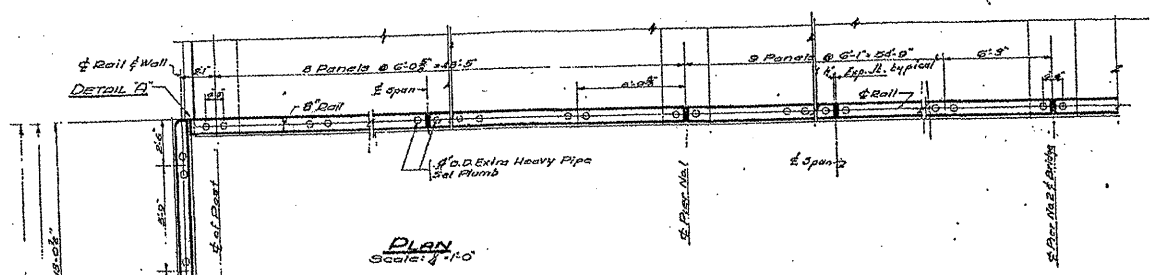
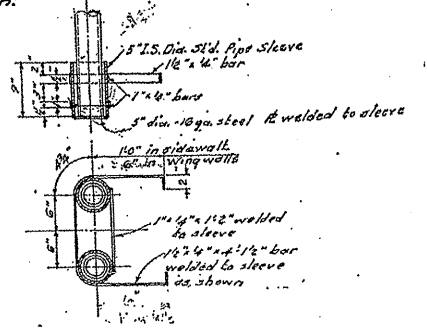
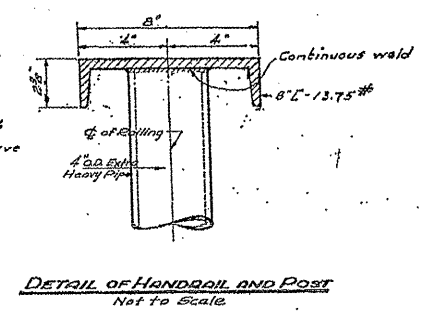


ROUTE	SECTION	COUNTY	TOTAL SHEETS	SHEET NUMBER
VARIOUS	2010-023 BP	VARIOUS	93	33

CONTRACT NO. 60K48



Note:  
Expansion joints in handrail shall be provided over pier or midspan or as shown. Rail panels at points other than expansion shall be field welded and ground smooth.



PIPE SLEEVE ANCHOR DETAIL  
Scale: 1/4"=1'-0"

ILLINOIS DEPARTMENT OF  
TRANSPORTATION

EXISTING BRIDGE PLAN

LOCATION 6: SN 016-0831  
PRATT AVE. OVER I-94

SH. 4 of 7