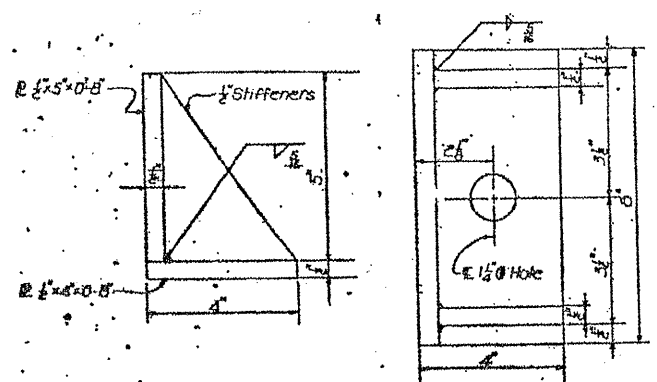
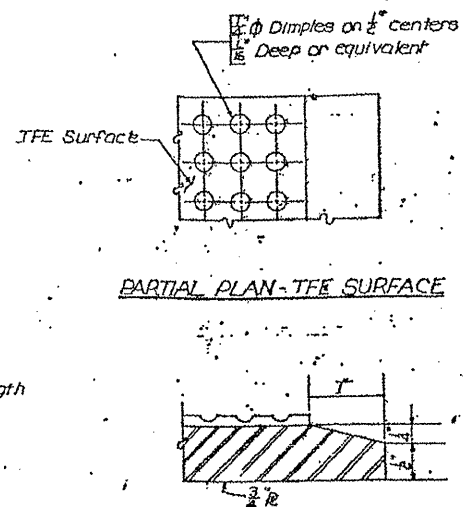
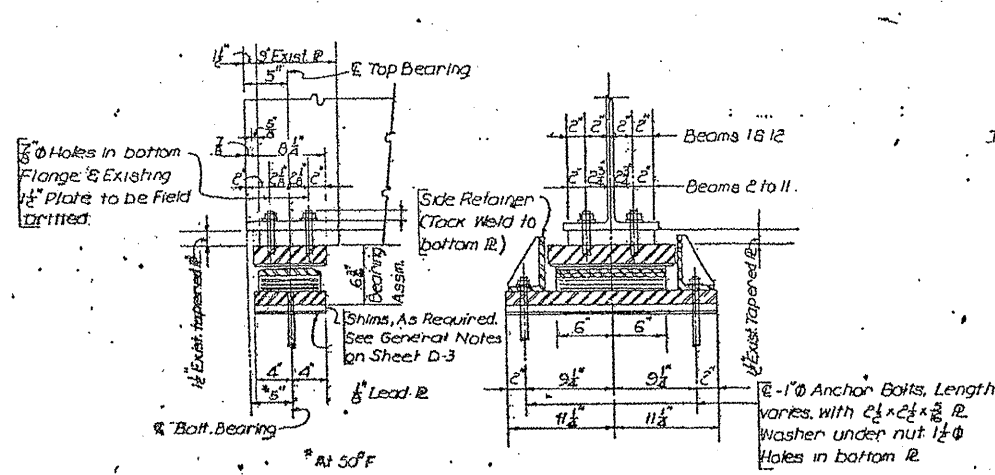


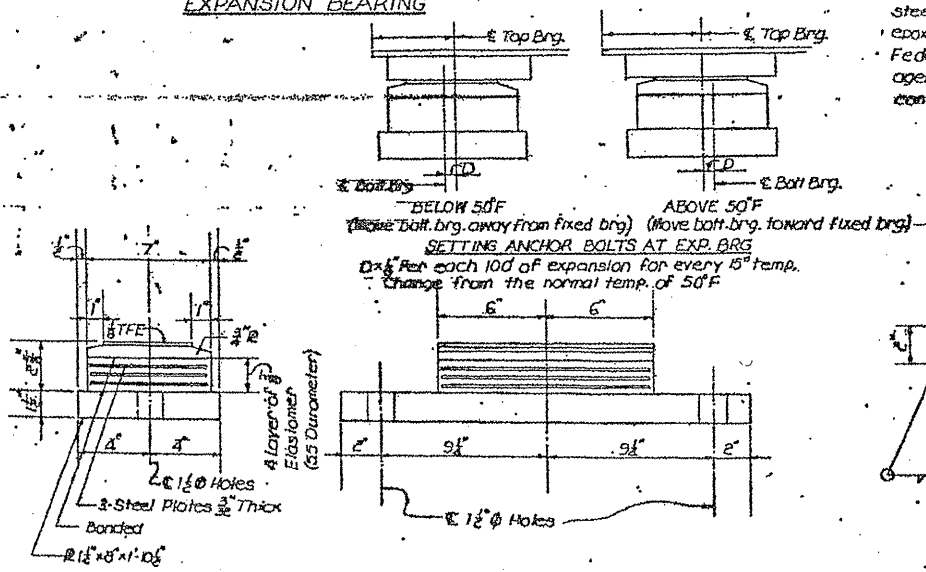
ROUTE VARIOUS	SECTION 2010-023 BP	COUNTY VARIOUS	TOTAL SHEETS 93	SHEET NUMBER 40
------------------	------------------------	-------------------	--------------------	--------------------

CONTRACT NO. 60K48



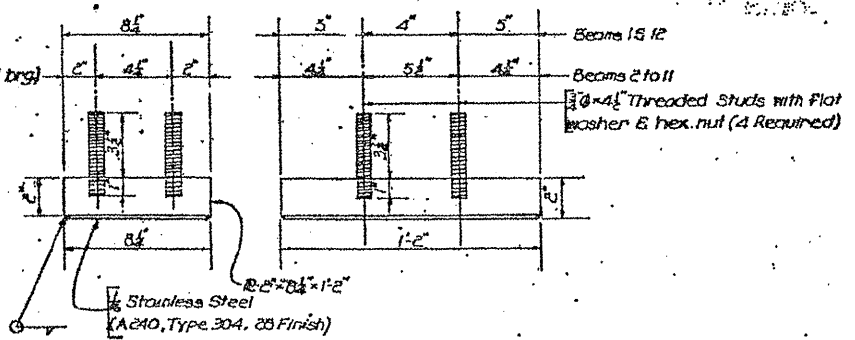
NOTE:-
After top bearing assemblies have been erected holes of lower expansion bearing shall be drilled and anchor bolts grouted in place

TYPE II TFE ELASTOMERIC EXPANSION BEARING



BOTTOM BEARING ASSEMBLY
(2x REQUIRED)

NOTE:-
The 1/8" TFE sheet shall be bonded directly to the top steel plate with a two-component, medium viscosity epoxy resin, conforming to the requirement of the Federal Specification MMA-134, Type I. The bond agent shall be applied on the full area of the contact surfaces.



TOP BEARING ASSEMBLY
14 Required for Beams 1 & 2
20 Required for Beams 2 to 11

NOTE:-
For new anchor bolt details see Sheets D-14 and D-15

ILLINOIS DEPARTMENT OF
TRANSPORTATION

EXISTING BRIDGE PLAN

LOCATION 7: SN 016-0834
DEVON AVE. OVER I-94

SH. 4 of 6