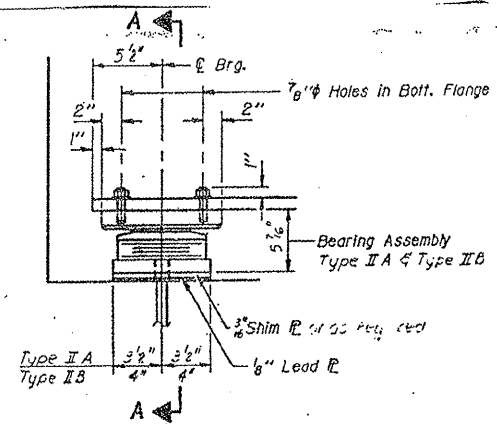
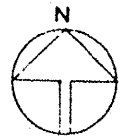


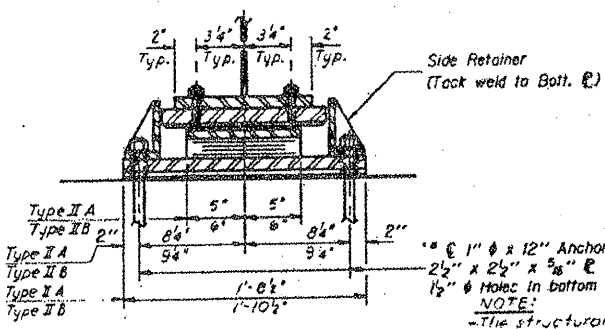
ROUTE VARIOUS	SECTION 2010-023 BP	COUNTY VARIOUS	TOTAL SHEETS 93	SHEET NUMBER 46
------------------	------------------------	-------------------	--------------------	--------------------

CONTRACT NO. 60K48

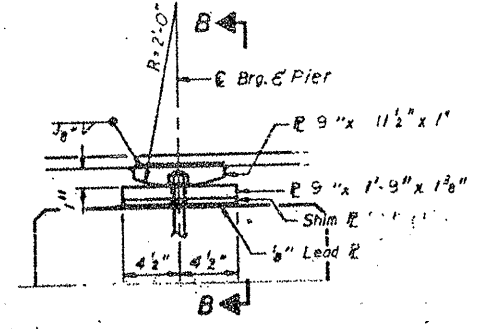


ELEVATION AT ABUT.

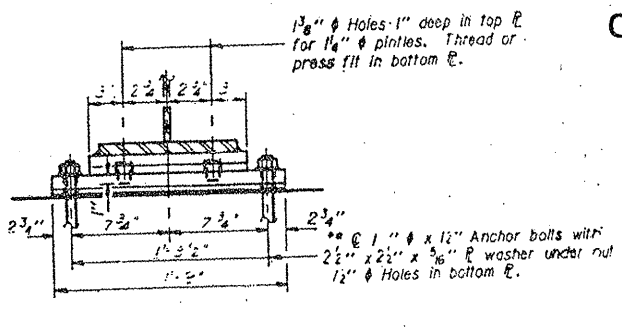
TYPE IA & TYPE IB TFE ELASTOMERIC EXP. BRGS.



SECTION A-A

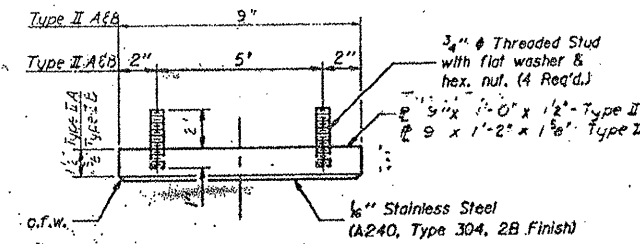


ELEVATION AT PIER ?

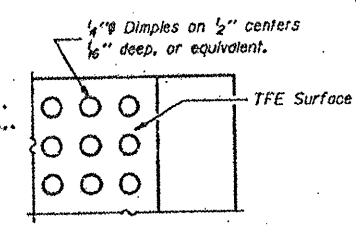


SECTION B-B

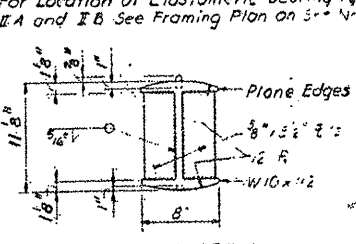
FIXED BEARING
AT PIER 2, BEAMS 1, 2, 5, 13 REQUIRED.



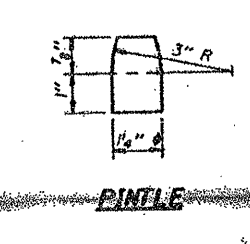
TOP BEARING ASSEMBLY



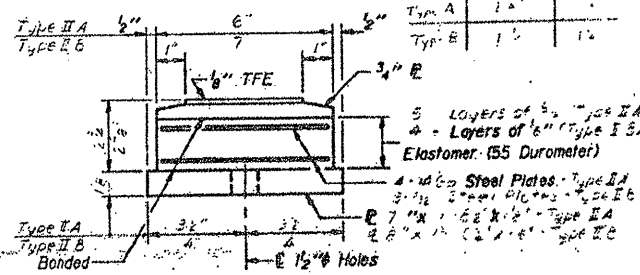
PLAN-TFE SURFACE



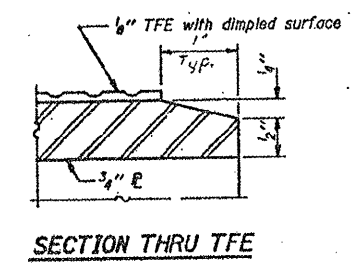
ROCKER DETAIL



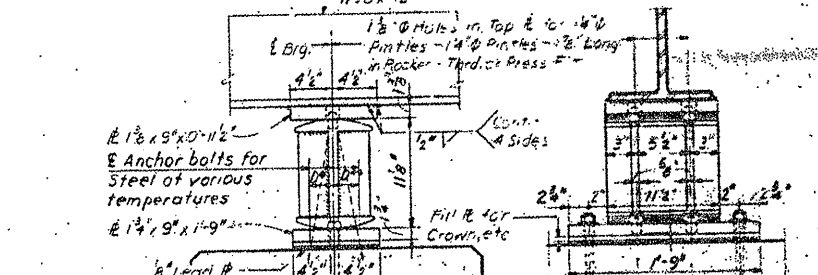
PINTE



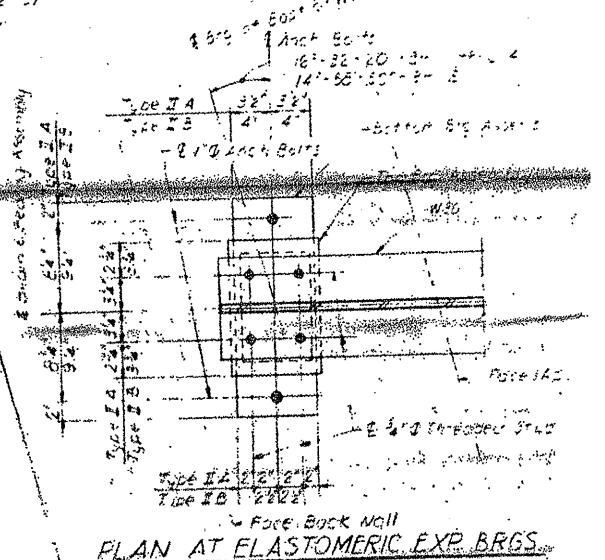
BOTTOM BEARING ASSEMBLY



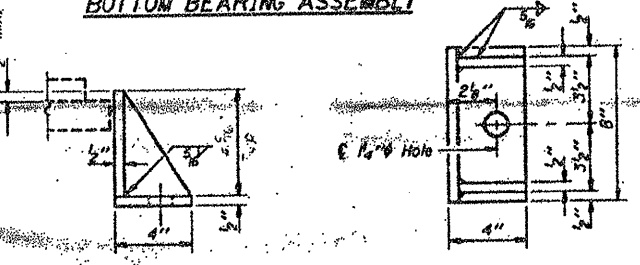
SECTION THRU TFE



ELEVATION



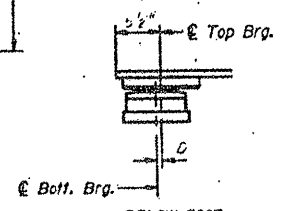
PLAN AT ELASTOMERIC EXP. BRGS. AT EAST AND WEST ABUTMENTS



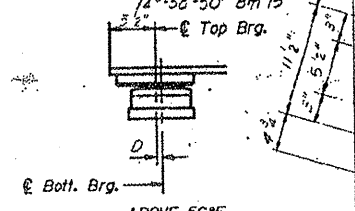
SIDE RETAINER

Note: The 1/8" TFE sheet shall be bonded directly to the top steel plate with a two-component, medium viscosity epoxy resin, conforming to the requirements of the Federal Specification MM-A-134, Type Y. The bond agent shall be applied on the full area of the contact surfaces.

Bonding of 1/8" TFE sheet during vulcanizing process will be permitted provided the process and method of adjusting assembly height is approved by the Engineer.



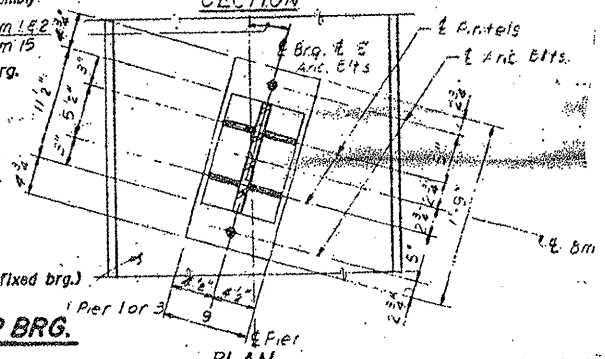
BELOW 50°F.
(Move bott. brg. away from fixed brg.)



ABOVE 50°F.
(Move bott. brg. toward fixed brg.)

SETTING ANCHOR BOLTS AT ELASTOMERIC EXP. BRG.

D=1/4" per each 100' of expansion for every 15° temp. change from the normal temp. of 50°F.



EXPANSION BEARING (AT PIERS 1, 2, 3, BEAMS 1, 2, 5, 6 REQUIRED)

DESIGNED	LM
CHECKED	JG
DRAWN	JBM
CHECKED	CCO

V-2-E2 12-1-83

ILLINOIS DEPARTMENT OF
TRANSPORTATION

EXISTING BRIDGE PLAN

LOCATION 8: SN 016-0364
US 14 (PETERSON AVE.) OVER I-94

SH. 4 of 5