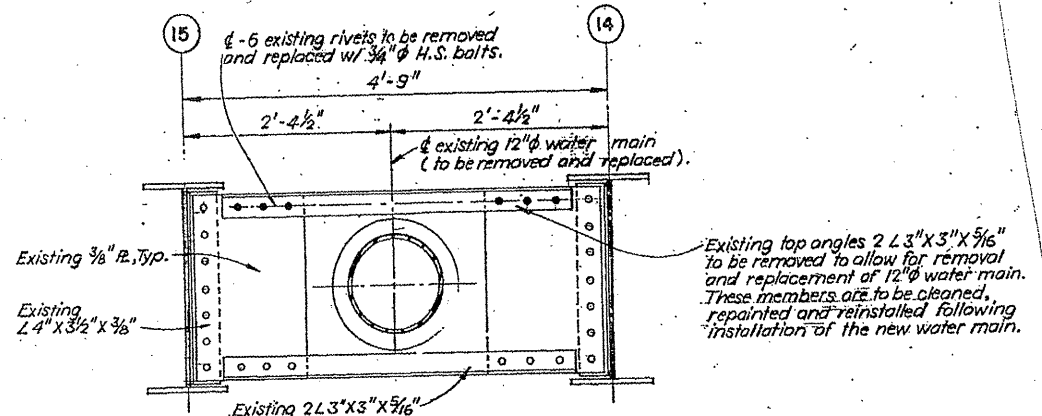


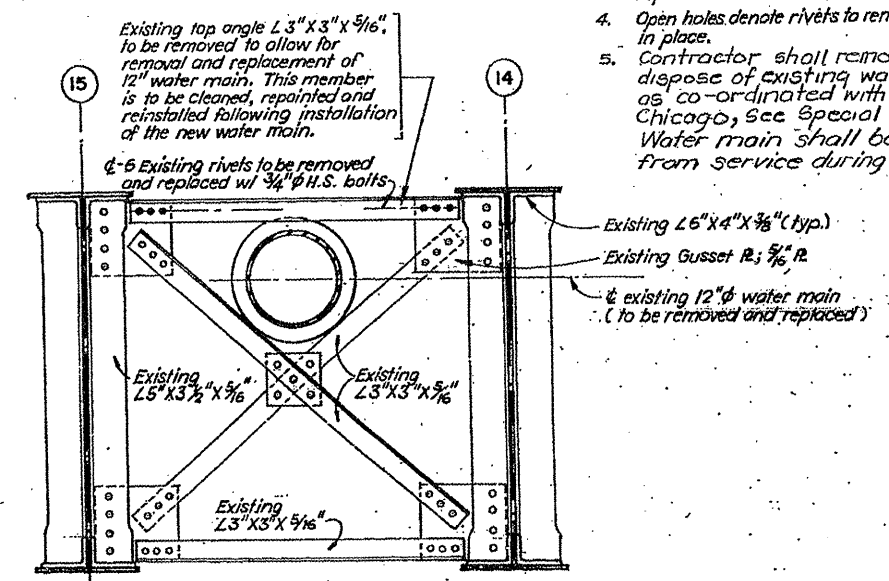
ROUTE	SECTION	COUNTY	TOTAL SHEETS	SHEET NUMBER
VARIOUS	2010-023 BP	VARIOUS	93	71

CONTRACT NO. 60K48

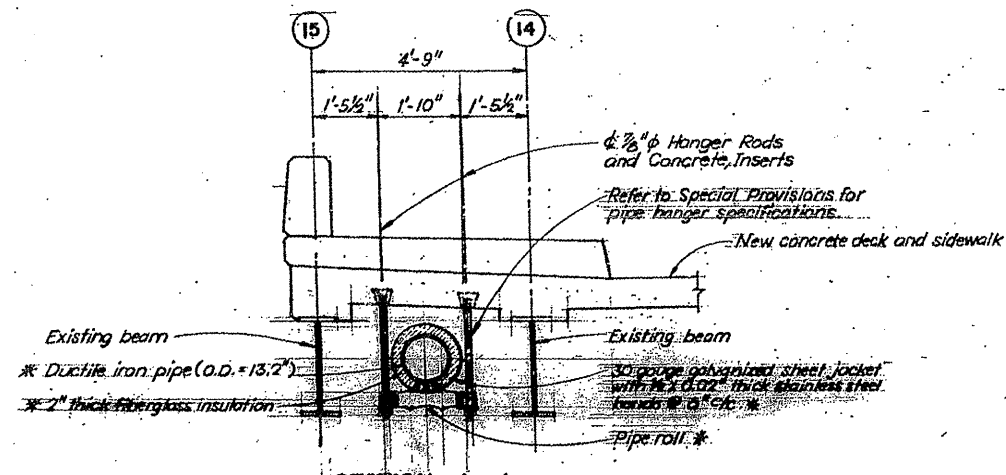


SECTION F-F
Detail for removal and replacement of intermediate diaphragm top angle to allow for installation of new water main.

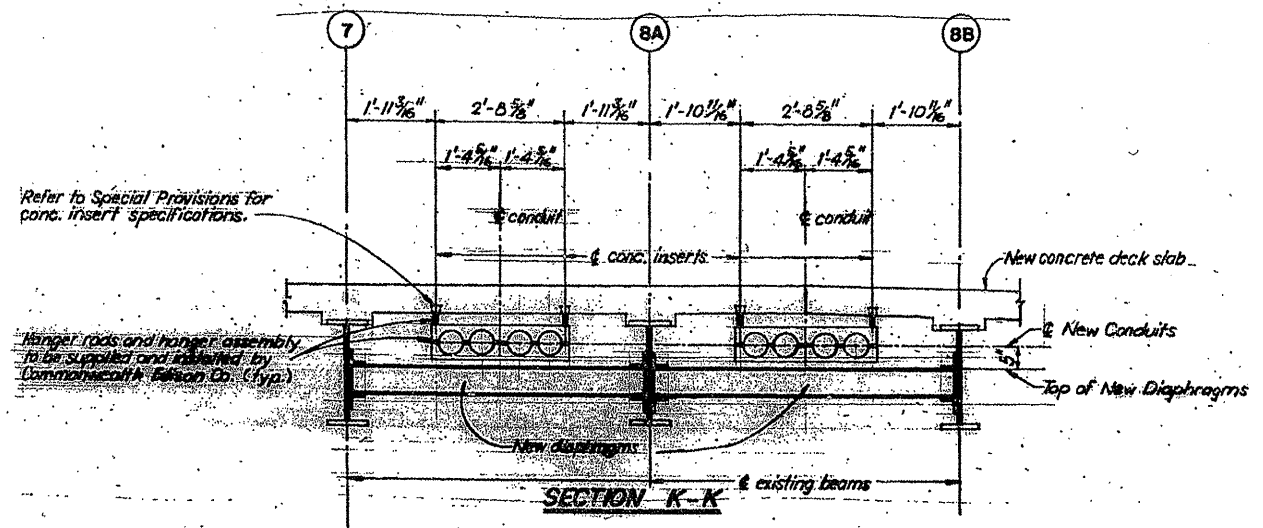
- NOTES:**
1. Refer to Sheet 11 for locations of Sections F-F and G-G.
 2. All dimensions and existing member sizes must be field verified by contractor.
 3. Darkened holes denote locations for removal of existing rivets and replacement with 3/4" φ H.S. bolts.
 4. Open holes denote rivets to remain in place.
 5. Contractor shall remove and dispose of existing water main as co-ordinated with City of Chicago, see Special Provisions. Water main shall be removed from service during construction.



SECTION G-G
Detail for removal and replacement of intermediate cross frame top angle to allow for installation of new water main.



SECTION J-J
NOTE: Pipe to be installed by the City of Chicago, Bureau of Water Distribution.
* See Special Pro



Refer to Special Provisions for conc. insert specifications.
Hanger rods and hanger assembly to be supplied and installed by Commonwealth Edison Co. (typ.)

ILLINOIS DEPARTMENT OF
TRANSPORTATION

EXISTING BRIDGE PLAN

LOCATION 13: SN 016-0367
PETERSON AVE. OVER NORTH SHORE CHANNEL

SH. 10 of 15