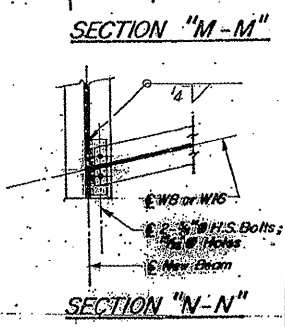
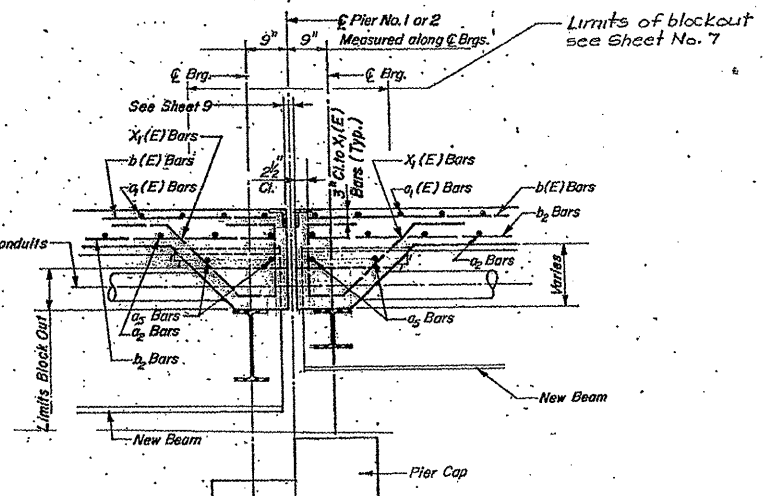
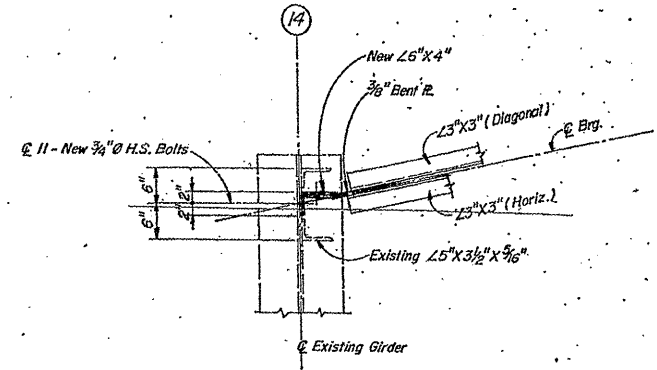
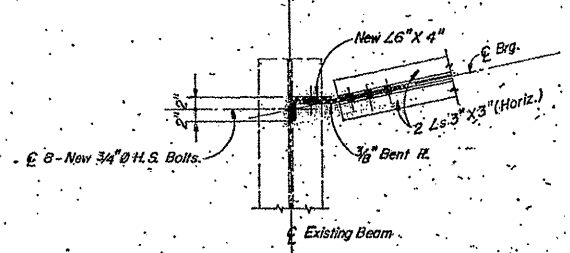
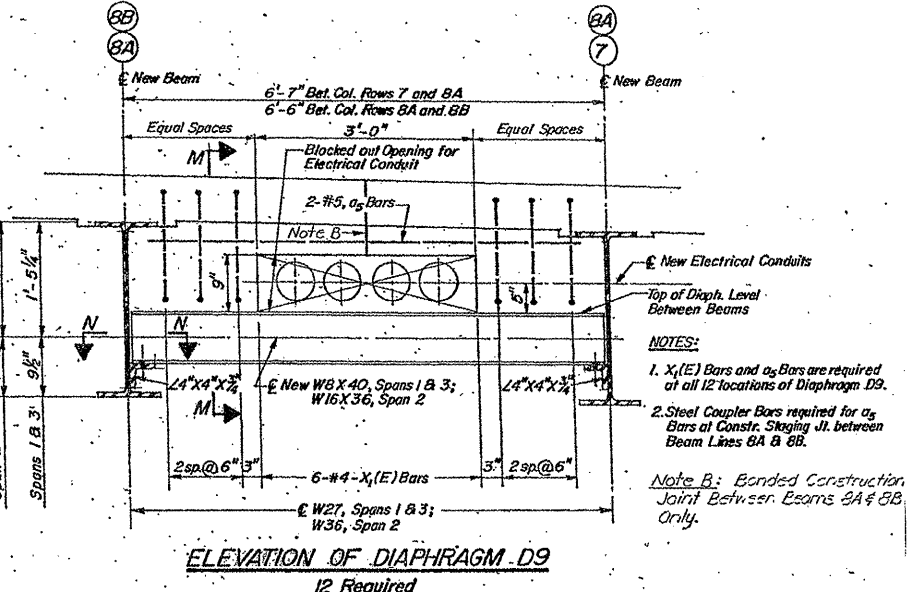
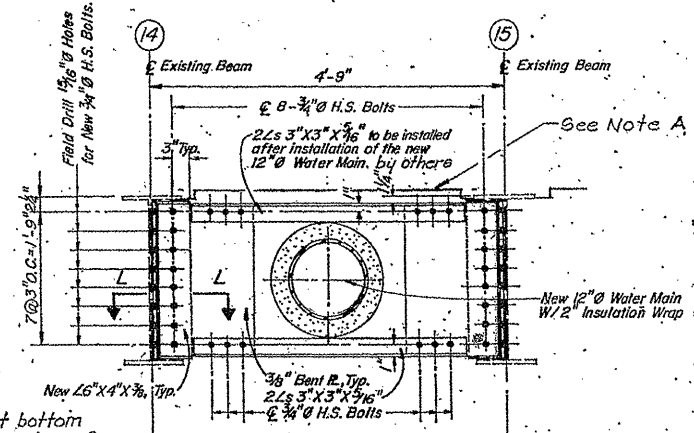
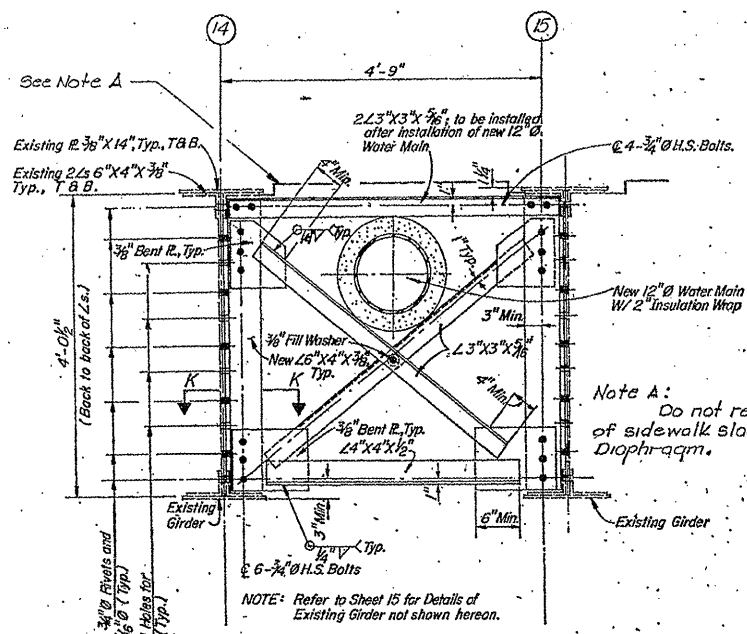


ROUTE VARIOUS	SECTION 2010-023 BP	COUNTY VARIOUS	TOTAL SHEETS 93	SHEET NUMBER 74
------------------	------------------------	-------------------	-----------------------	-----------------------

CONTRACT NO. 60K48



ILLINOIS DEPARTMENT OF
TRANSPORTATION

EXISTING BRIDGE PLAN

LOCATION 13: SN 016-0367
PETERSON AVE. OVER NORTH SHORE CHANNEL

SH. 13 of 15