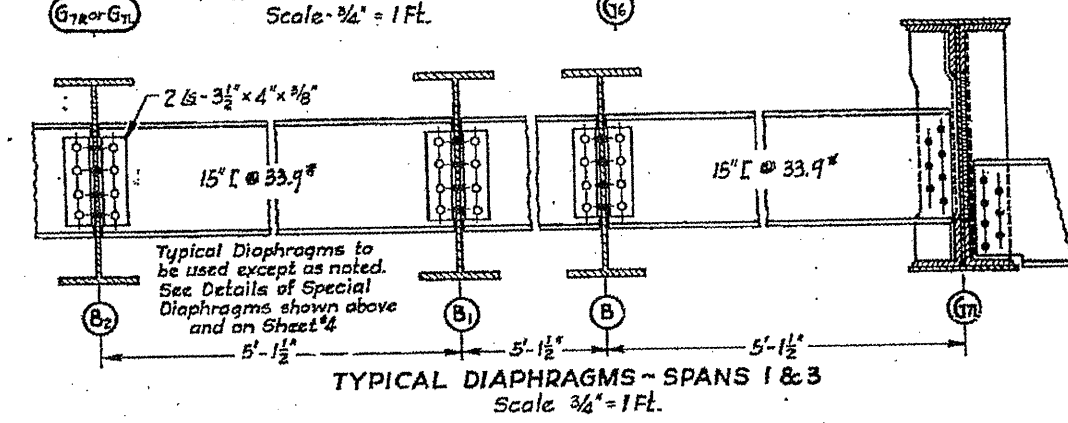
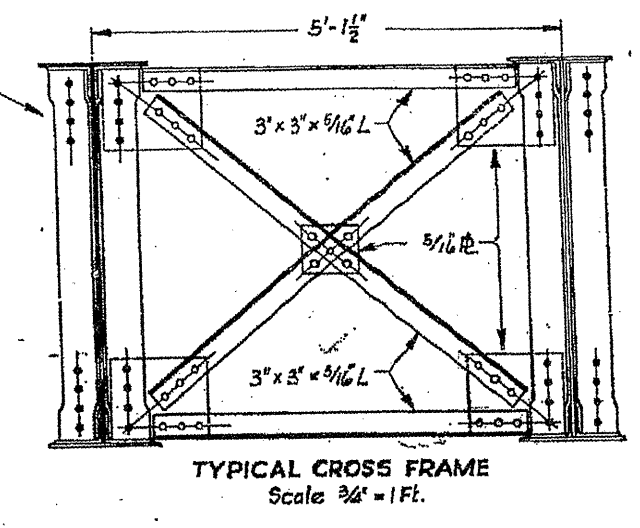
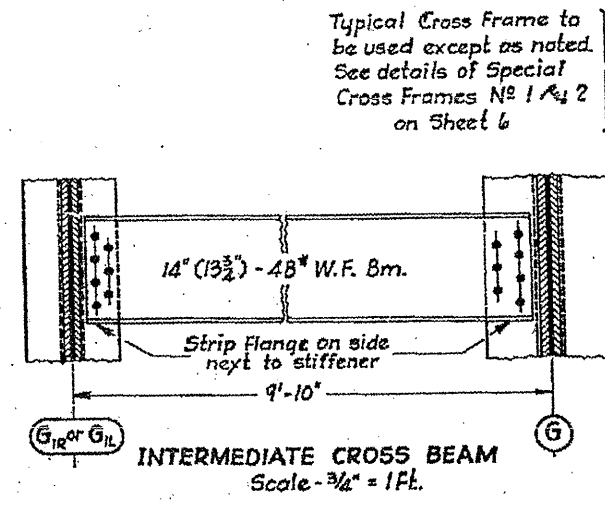
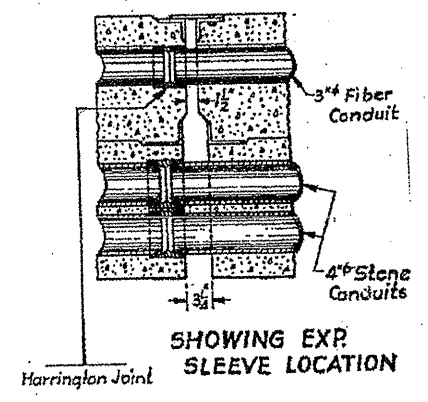
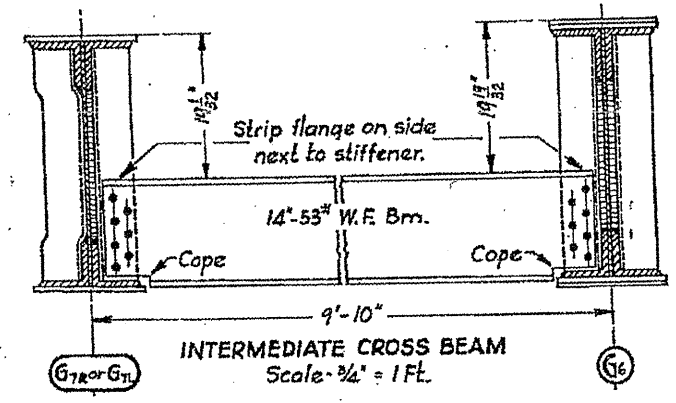
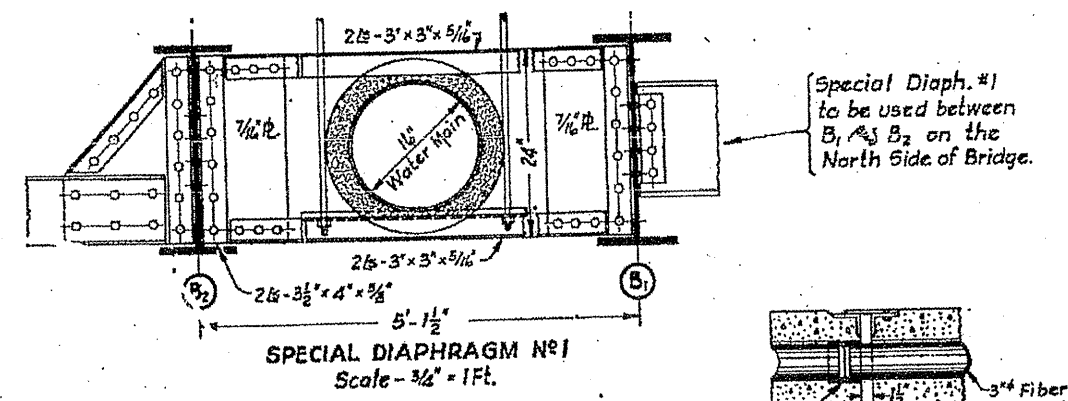


ROUTE	SECTION	COUNTY	TOTAL SHEETS	SHEET NUMBER
VARIOUS	2010-023 BP	VARIOUS	93	78

CONTRACT NO. 60K48



ILLINOIS DEPARTMENT OF  
TRANSPORTATION

EXISTING BRIDGE PLAN

LOCATION 14: SN 016-0251  
FOSTER AVE. OVER NORTH SHORE CHANNEL

SH. 2 of 6