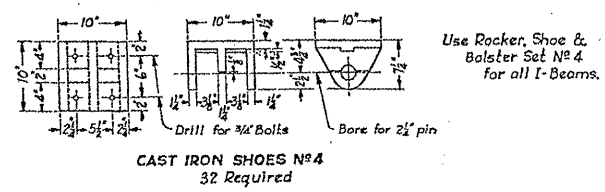
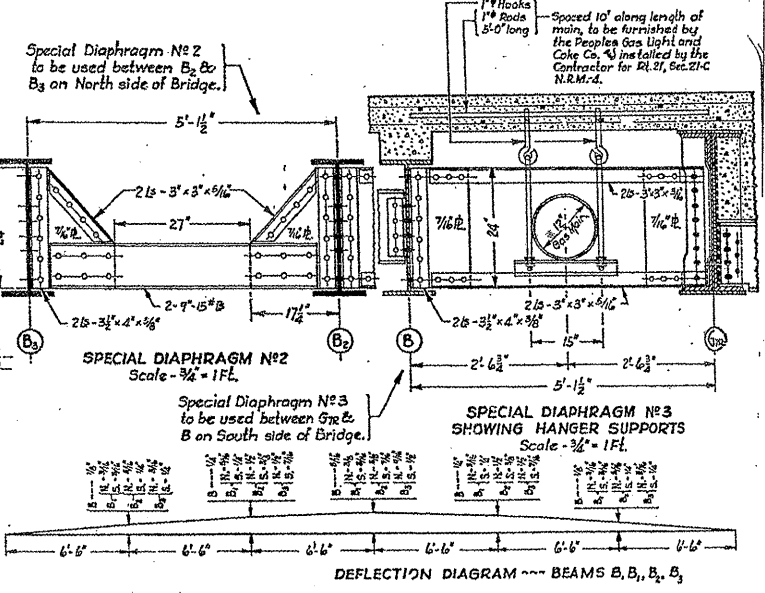
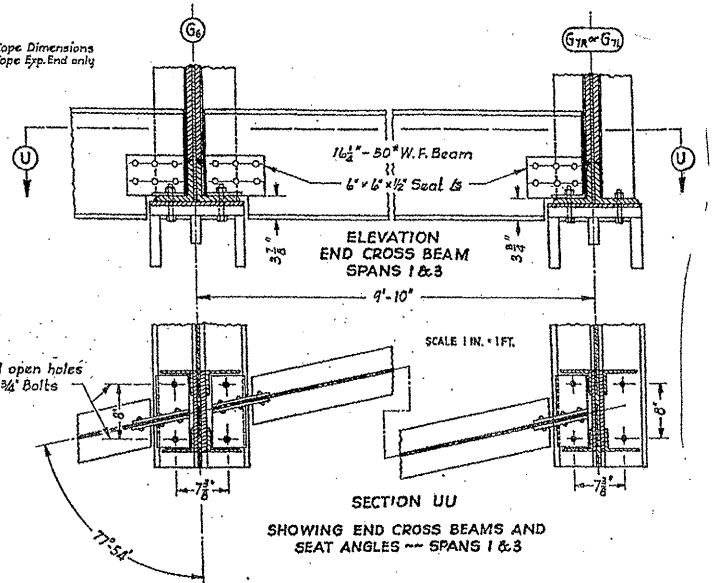
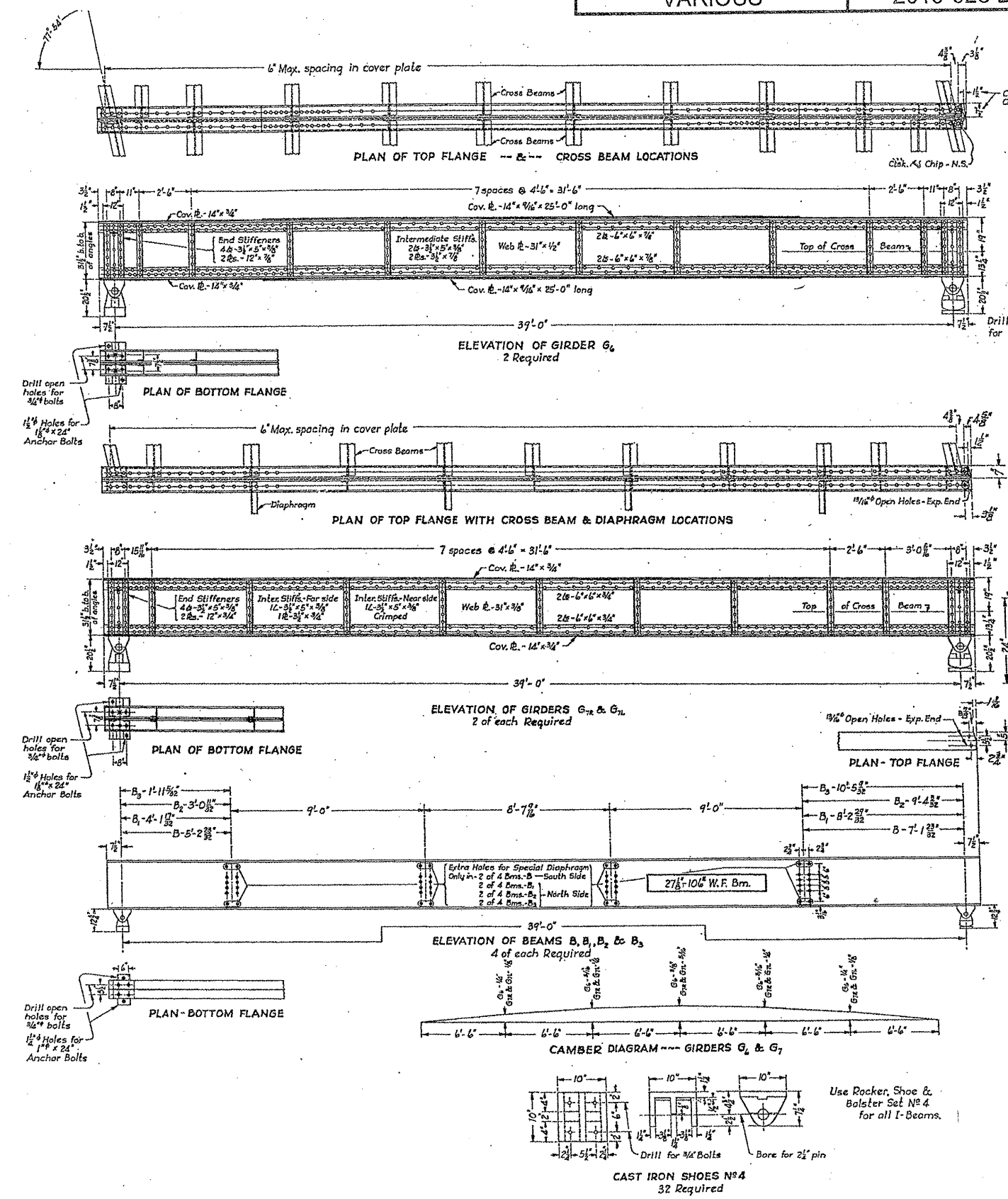


ROUTE VARIOUS	SECTION 2010-023 BP	COUNTY VARIOUS	TOTAL SHEETS 93	SHEET NUMBER 79
------------------	------------------------	-------------------	--------------------	--------------------

CONTRACT NO. 60K48



ILLINOIS DEPARTMENT OF  
TRANSPORTATION  
EXISTING BRIDGE PLAN  
LOCATION 14: SN 016-0251  
FOSTER AVE. OVER NORTH SHORE CHANNEL

SH. 3 of 6