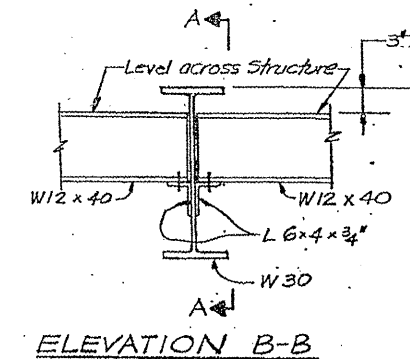
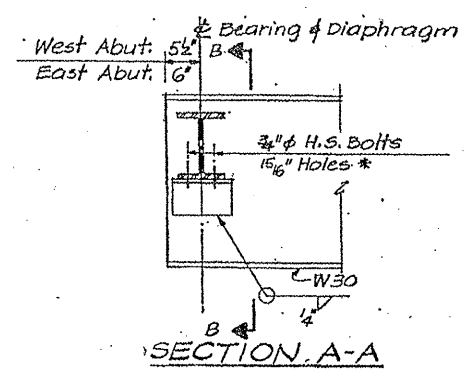


ROUTE	SECTION	COUNTY	TOTAL SHEETS	SHEET NUMBER
VARIOUS	2010-023 BP	VARIOUS	93	84

CONTRACT NO. 60K48

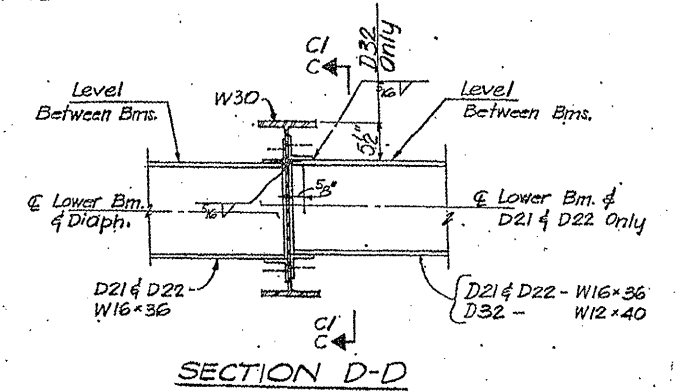
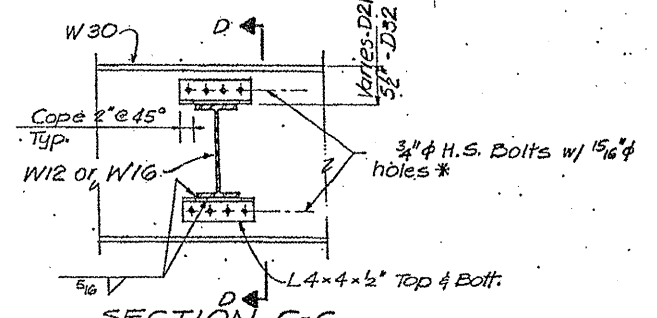


**** TOP BEAM ELEVATIONS**

BEAM	B1	B2	B3	B4	B5	B6	B7	B8
W. Abut.	621.78	621.90	622.02	622.14	622.05	621.96	621.87	621.78
E. Abut.	621.86	621.96	622.07	622.17	622.07	621.97	621.86	621.76

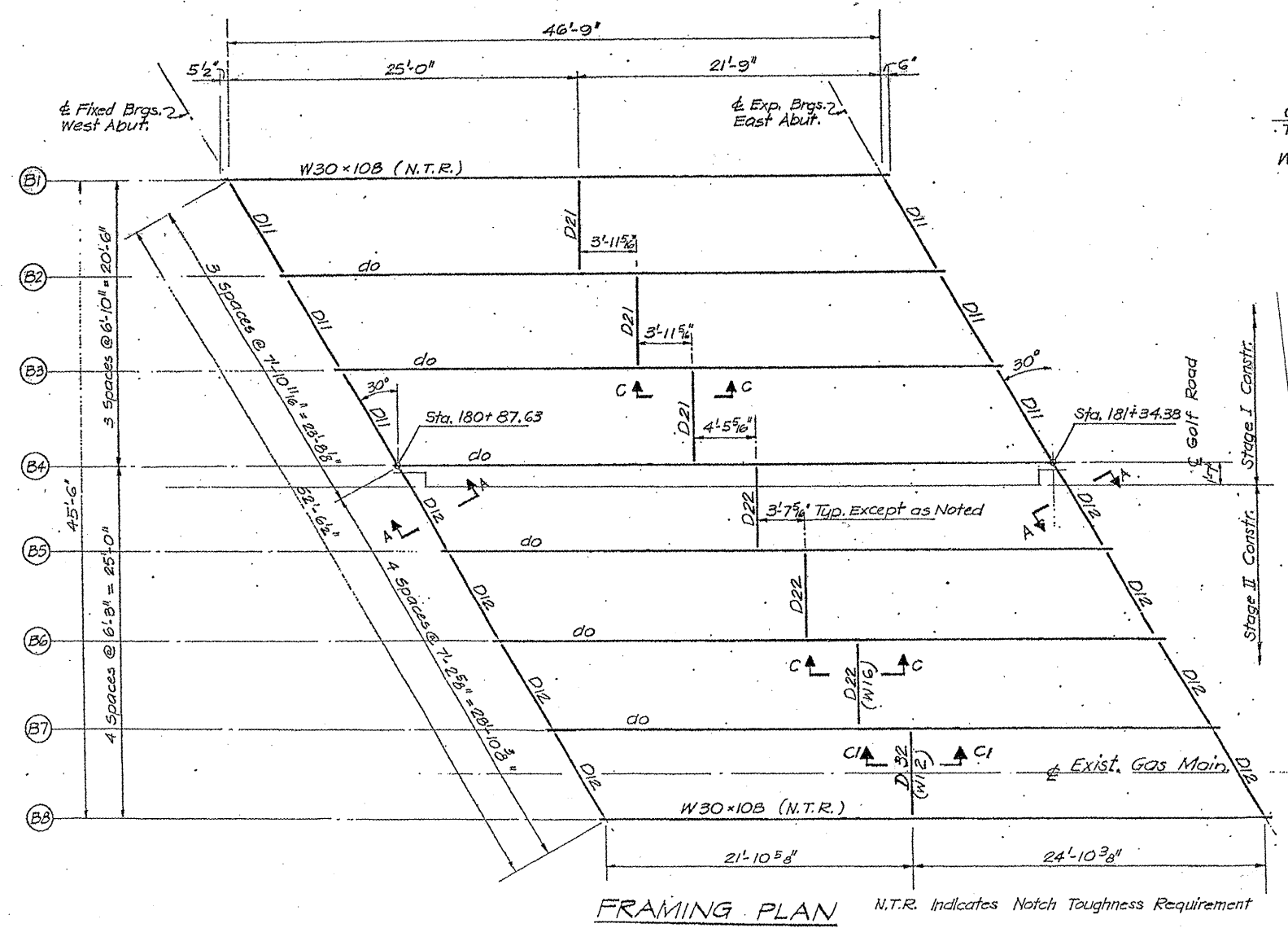
** For Fabrication Only
 * Hardened washers shall be required over all 1/16" holes.

DIAPHRAGMS D11 & D12
 (D11-Stage I; D12-Stage II)



DIAPHRAGMS D21, D22 & D32 D21-Stage I; D22 & D32-Stage II

Note: The diaphragm D22 connections between beams B4 & B5 shall be tightened snug before Stage I deck is poured. After the slab has set the H.S. bolts shall be tightened to Specification.



FRAMING PLAN N.T.R. Indicates Notch Toughness Requirement

ILLINOIS DEPARTMENT OF
 TRANSPORTATION
 EXISTING BRIDGE PLAN
 LOCATION 15: SN 016-0355
 GOLF RD. OVER W. FORK N. Br. CHICAGO RIVER