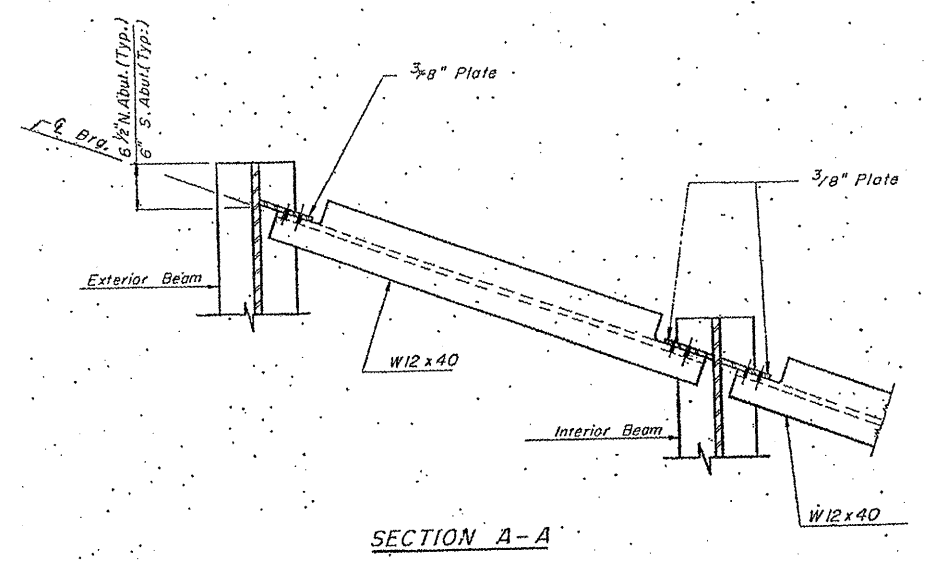
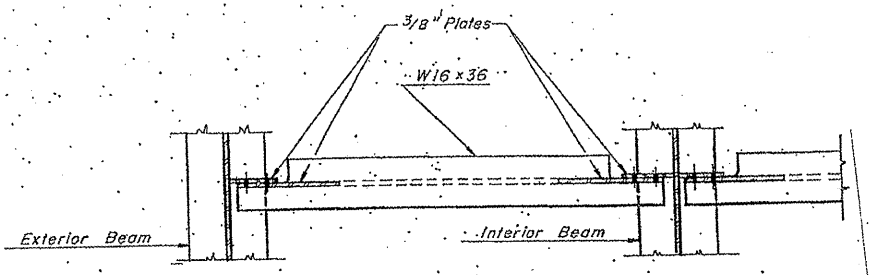


ROUTE VARIOUS	SECTION 2010-023 BP	COUNTY VARIOUS	TOTAL SHEETS 93	SHEET NUMBER 89
------------------	------------------------	-------------------	--------------------	--------------------

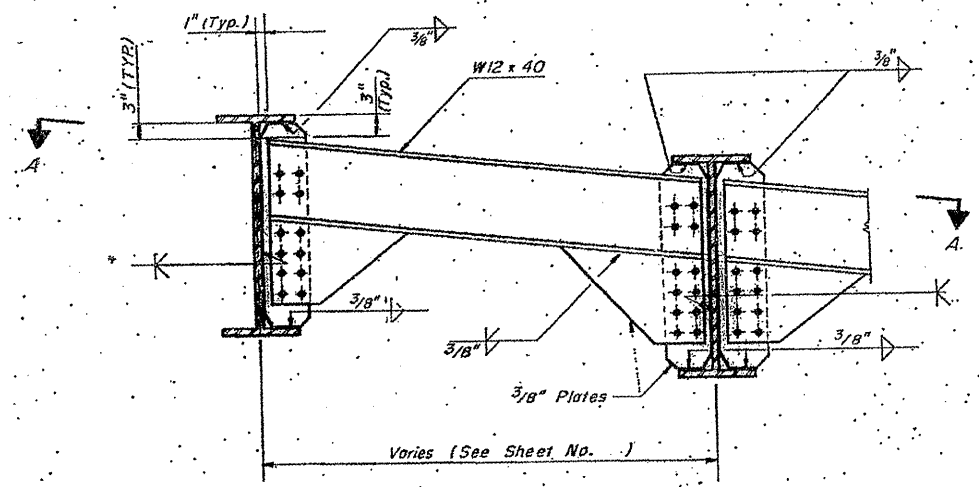
CONTRACT NO. 60K48



SECTION A-A

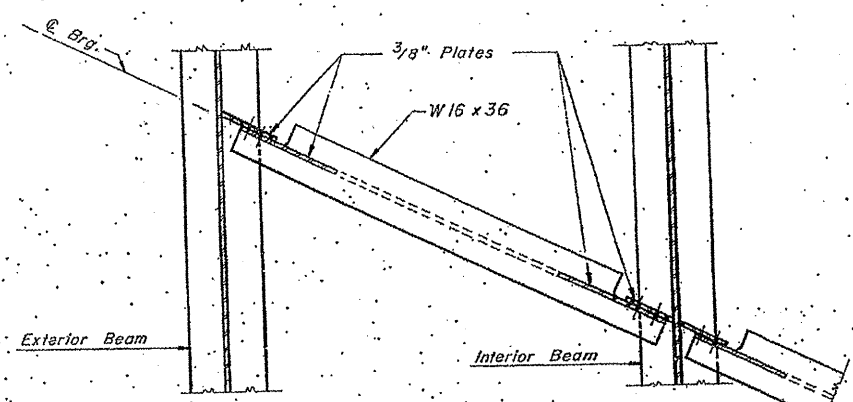


SECTION B-B
DIAPHRAGM D1
No. Required = 72

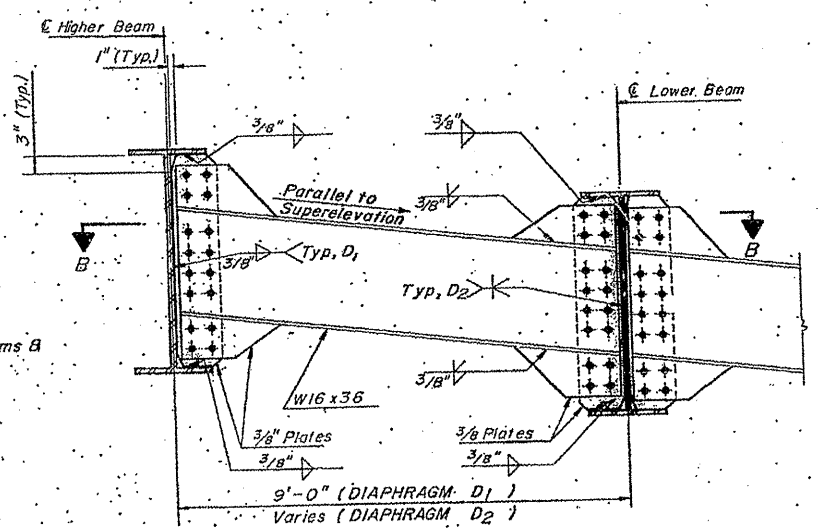


DIAPHRAGM D
No. Required = 16

Notes:
 7/8" ϕ H.S. Bolts M-16 $\frac{3}{4}$ For All Diaphragm Connections.
 Diaphragm and Connection Plates shall conform to AASHTO M-183
 Provide 1/16" ϕ open holes in diaphragms & diaphragm connection plates. Provide hardened washers under both nut & bolt head.
 All contact surfaces of joints for diaphragms shall be free of paint or lacquer.



SECTION B-B
DIAPHRAGM D2
No. Required = 16



DIAPHRAGM D1 & D2

ILLINOIS DEPARTMENT OF
 TRANSPORTATION
 EXISTING BRIDGE PLAN
 LOCATION 17: SN 049-0029
 US 41 (SKOKIE HWY.) OVER DES PLAINES RIVER

Sh. 3 of 5