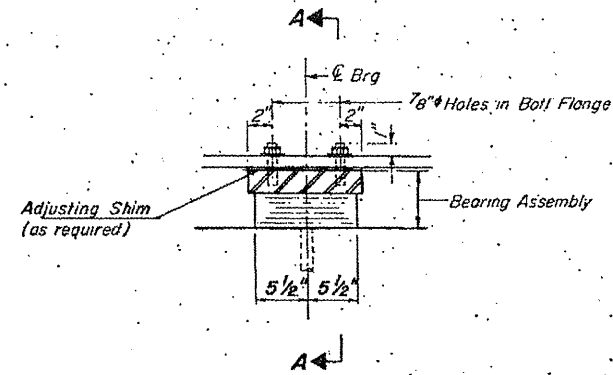


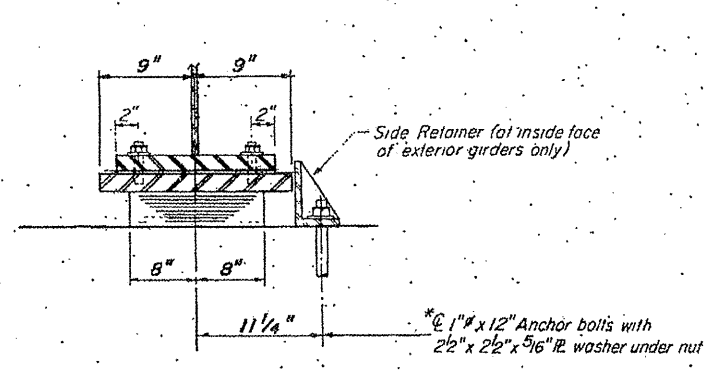
ROUTE VARIOUS	SECTION 2010-023 BP	COUNTY VARIOUS	TOTAL SHEETS 93	SHEET NUMBER 91
------------------	------------------------	-------------------	--------------------	--------------------

CONTRACT NO. 60K48

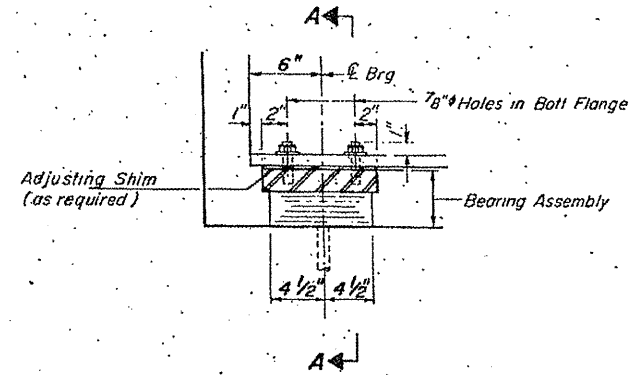


SECTION AT PIER

**TYPE I ELASTOMERIC EXP. BRG.
AT PIER NO. 1**

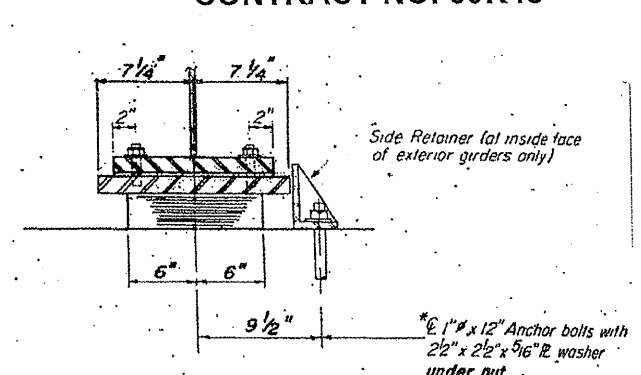


SECTION A-A



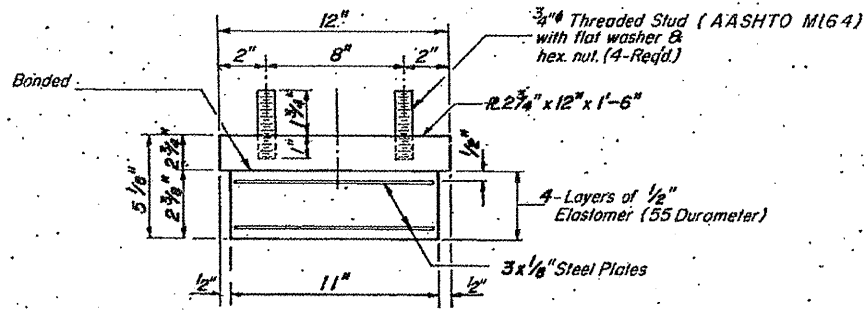
SECTION AT ABUT.

**TYPE I ELASTOMERIC EXP. BRG.
AT NORTH ABUTMENT**

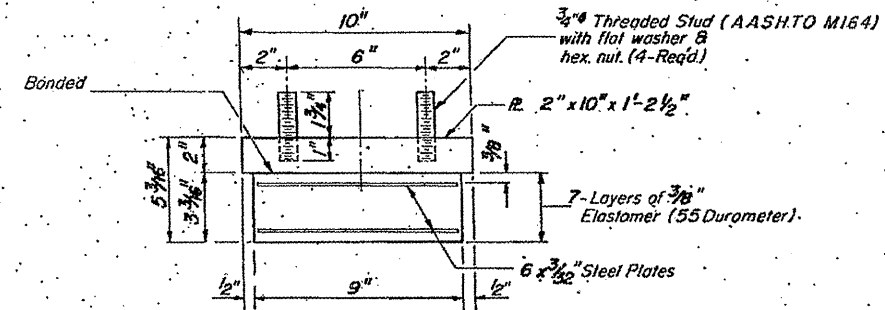


SECTION A-A

*Note: After girders have been erected holes at expansion bearings shall be drilled and anchor bolts grouted in place. Anchor bolts at fixed bearings may be built into the masonry.

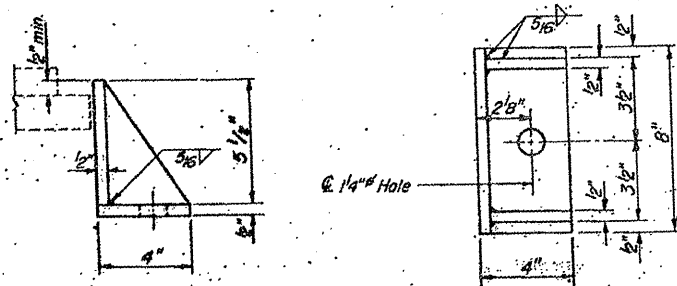


BEARING ASSEMBLY

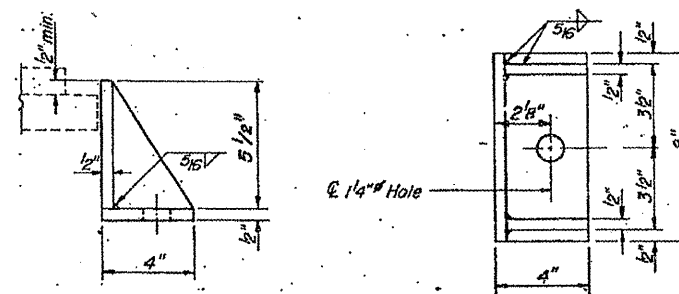


BEARING ASSEMBLY

Notes:
Steel plates in bearing assemblies shall be AASHTO M163.
Work this steel with sheets no. 12-14.



SIDE RETAINER



SIDE RETAINER

ILLINOIS DEPARTMENT OF
TRANSPORTATION
EXISTING BRIDGE PLAN
LOCATION 17: SN 049-0029
US 41 (SKOKIE HWY.) OVER DES PLAINES RIVER

SH. 50F5