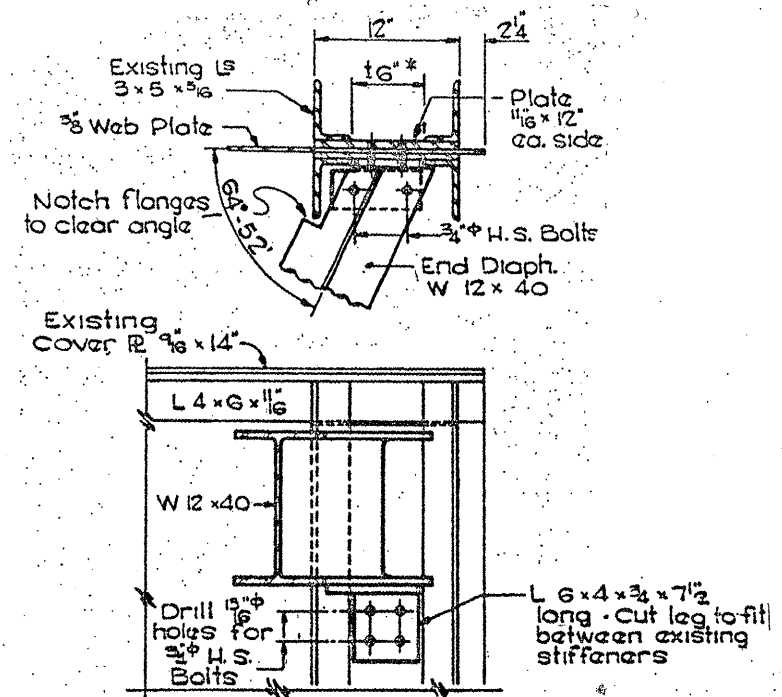
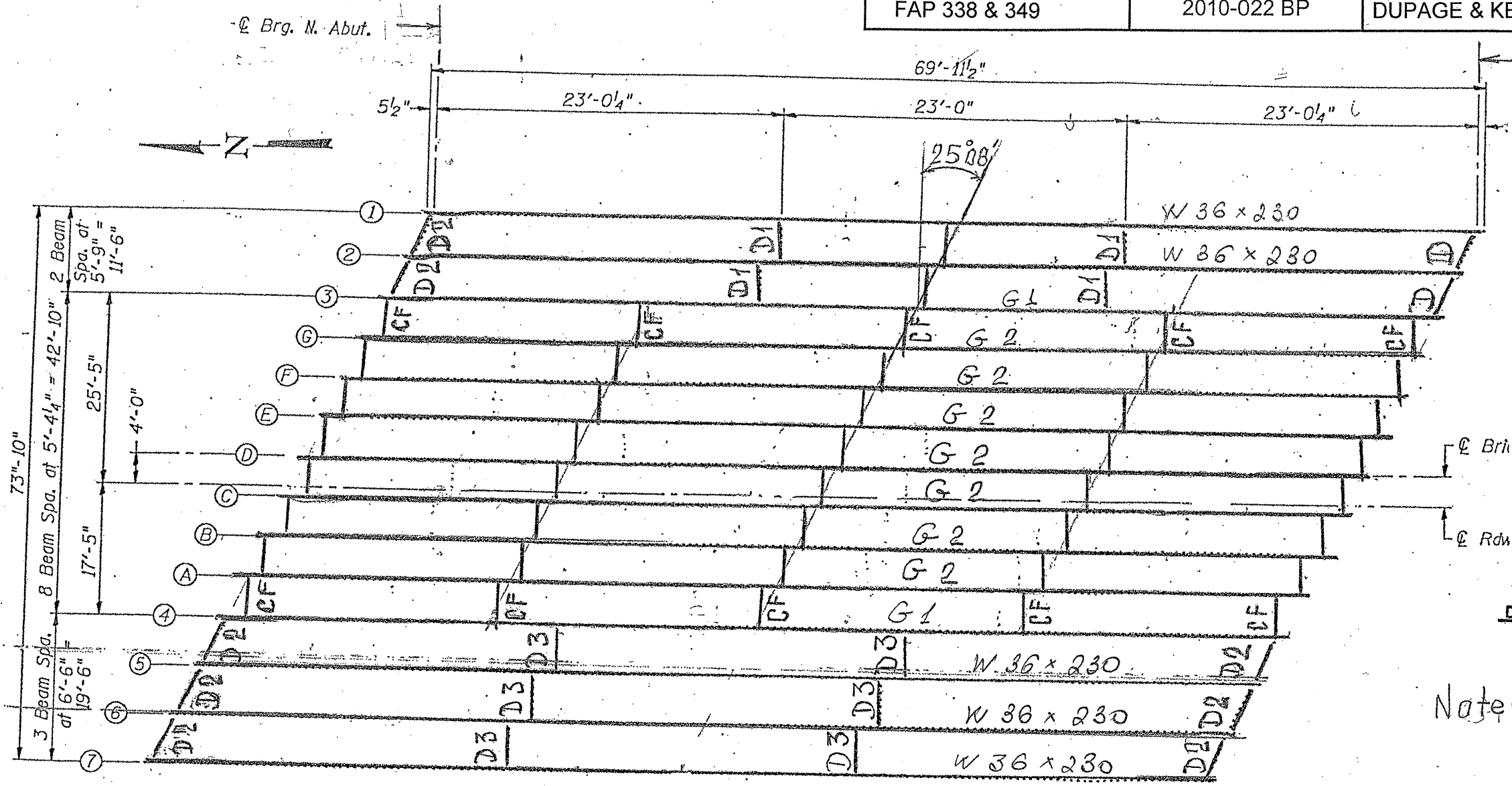


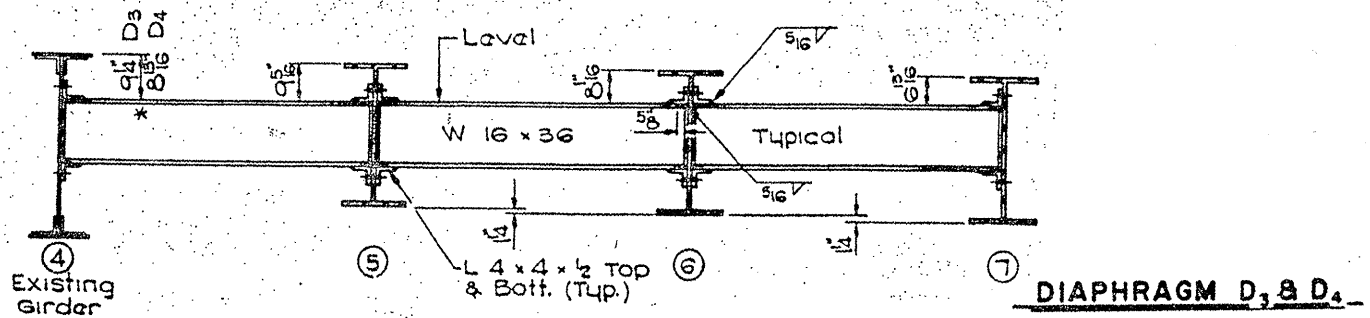
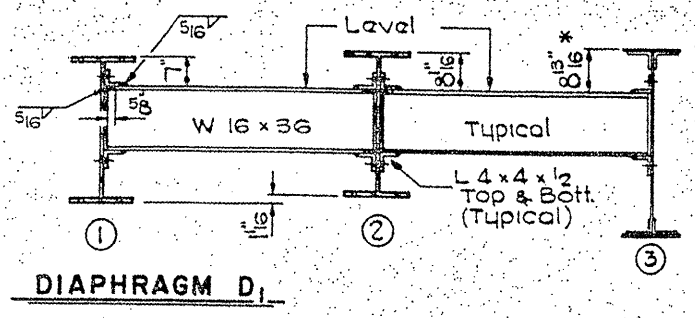
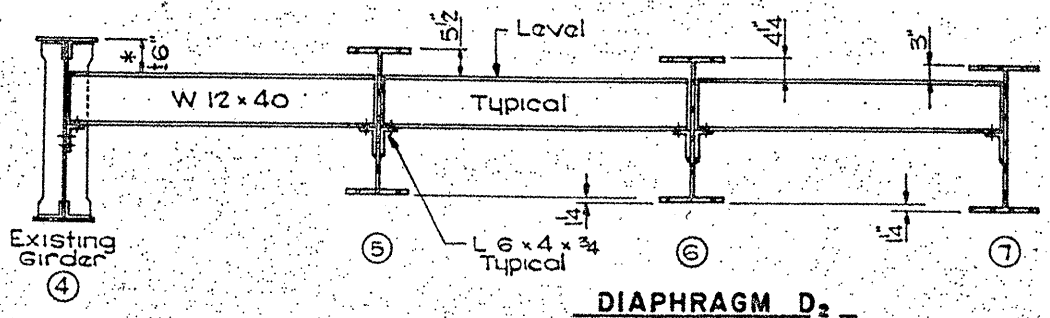
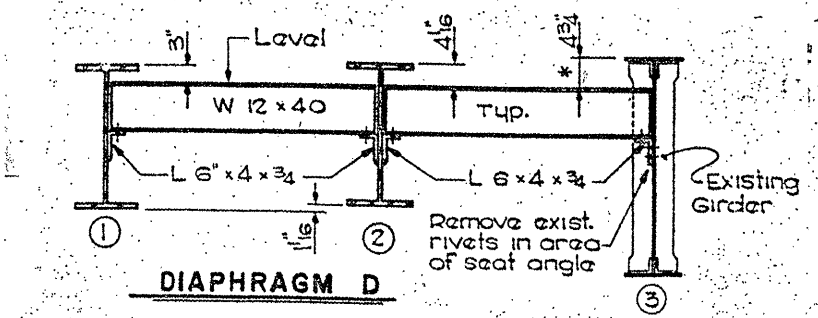
ROUTE	SECTION	COUNTY	TOTAL SHEETS	SHEET NUMBER
FAP 338 & 349	2010-022 BP	DUPAGE & KENDALL	25	8

CONTRACT NO. 60K49



DETAIL OF SEAT CONNECTION AT EXISTING GIRDER

Note: Girders G1 and G2 and Cross Frames (CF) see Sht. # 11 of 25



FOR INFORMATION ONLY

ILLINOIS DEPARTMENT OF TRANSPORTATION
 EXISTING BRIDGE PLAN
 LOCATION 1: SN 022-0036