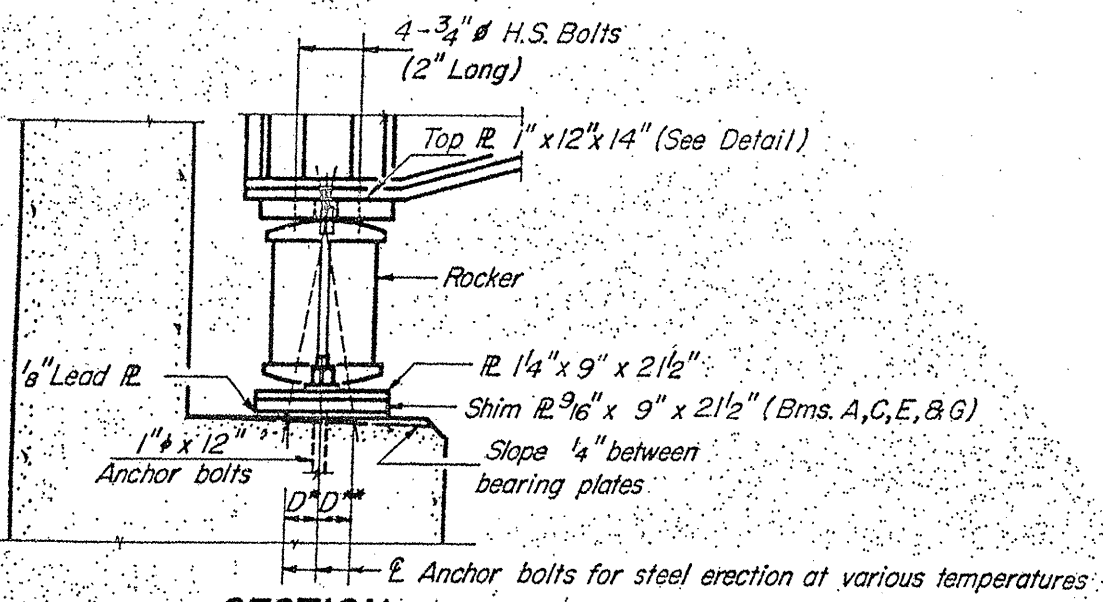
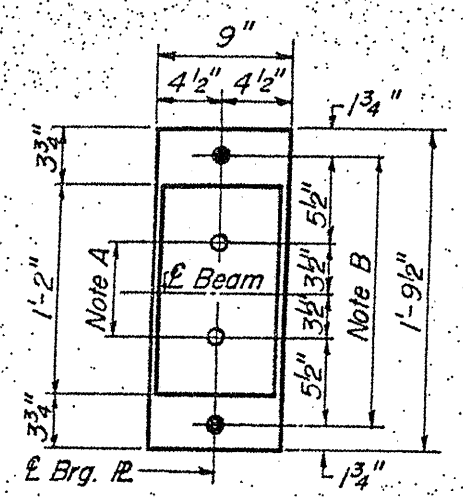


ROUTE	SECTION	COUNTY	TOTAL SHEETS	SHEET NUMBER
FAP 338 & 349	2010-022 BP	DUPAGE & KENDALL	25	9

CONTRACT NO. 60K49

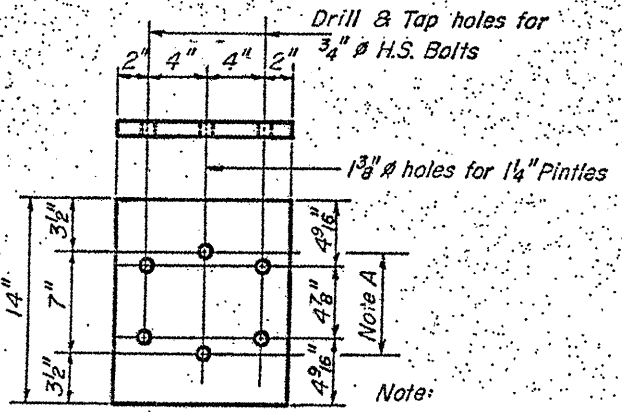


SECTION



PLAN

AT N. ABUTMENT
(For Bms. A thru G & #3)



TOP PLATE

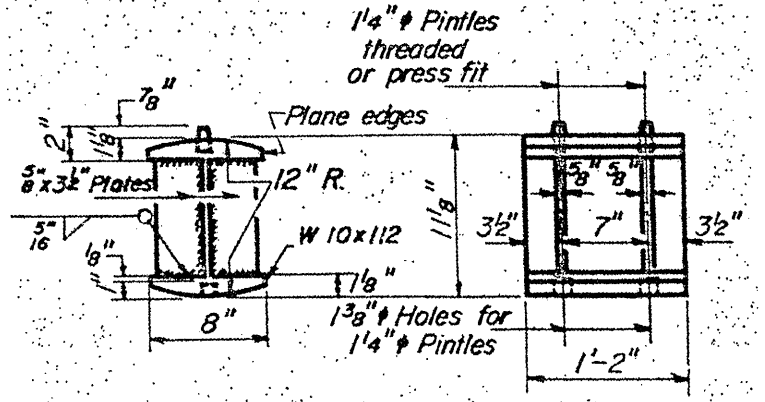
NOTE A

1 3/8" ϕ Holes - 1" deep in top PL for pintles. Thread or press fit pintles into bottom PL.

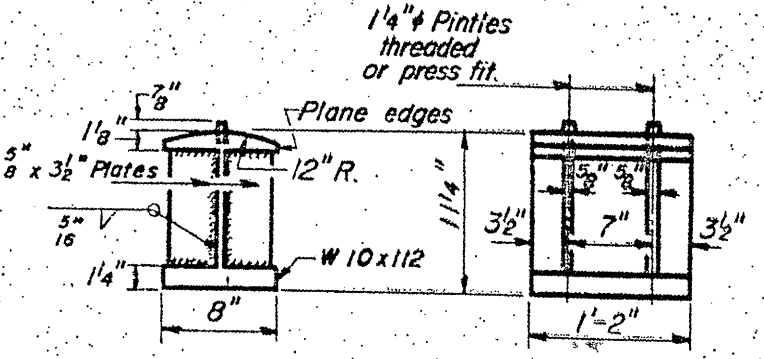
NOTE B

1/2" ϕ Holes for 1" ϕ anchor bolts. 5/16 x 2 1/2" x 2 1/2" PL Washers under nut.

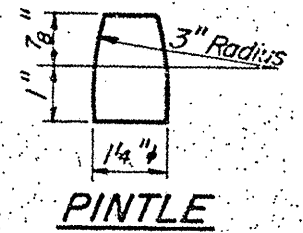
BEARING ASSEMBLY DETAILS



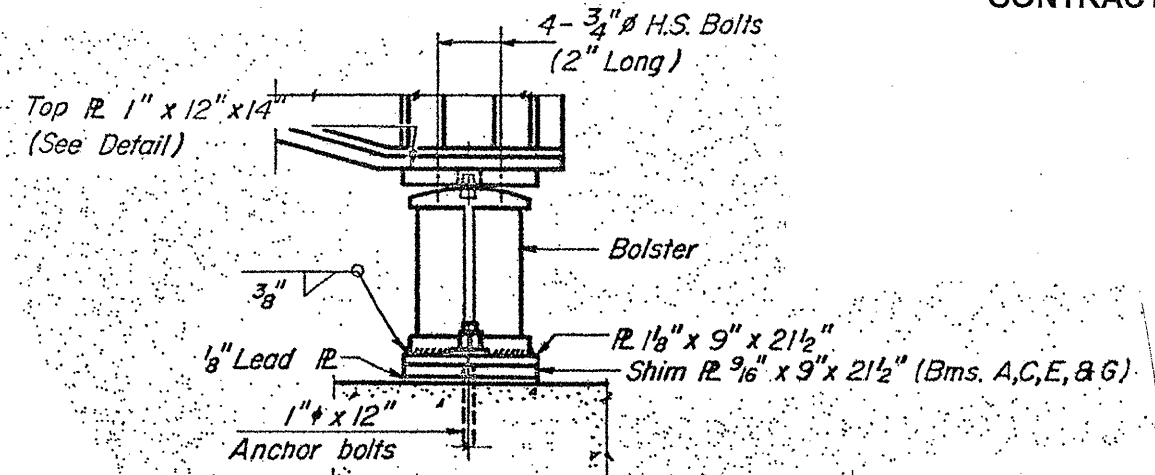
ROCKER



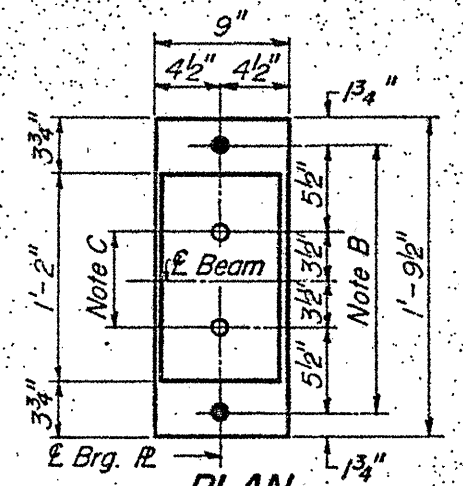
BOLSTER



PINTLE



SECTION



PLAN

AT S. ABUT.

(For Bms. A thru G & #3)

FOR INFORMATION ONLY

ILLINOIS DEPARTMENT OF
TRANSPORTATION

EXISTING BRIDGE PLAN
LOCATION 1: SN 022-0036