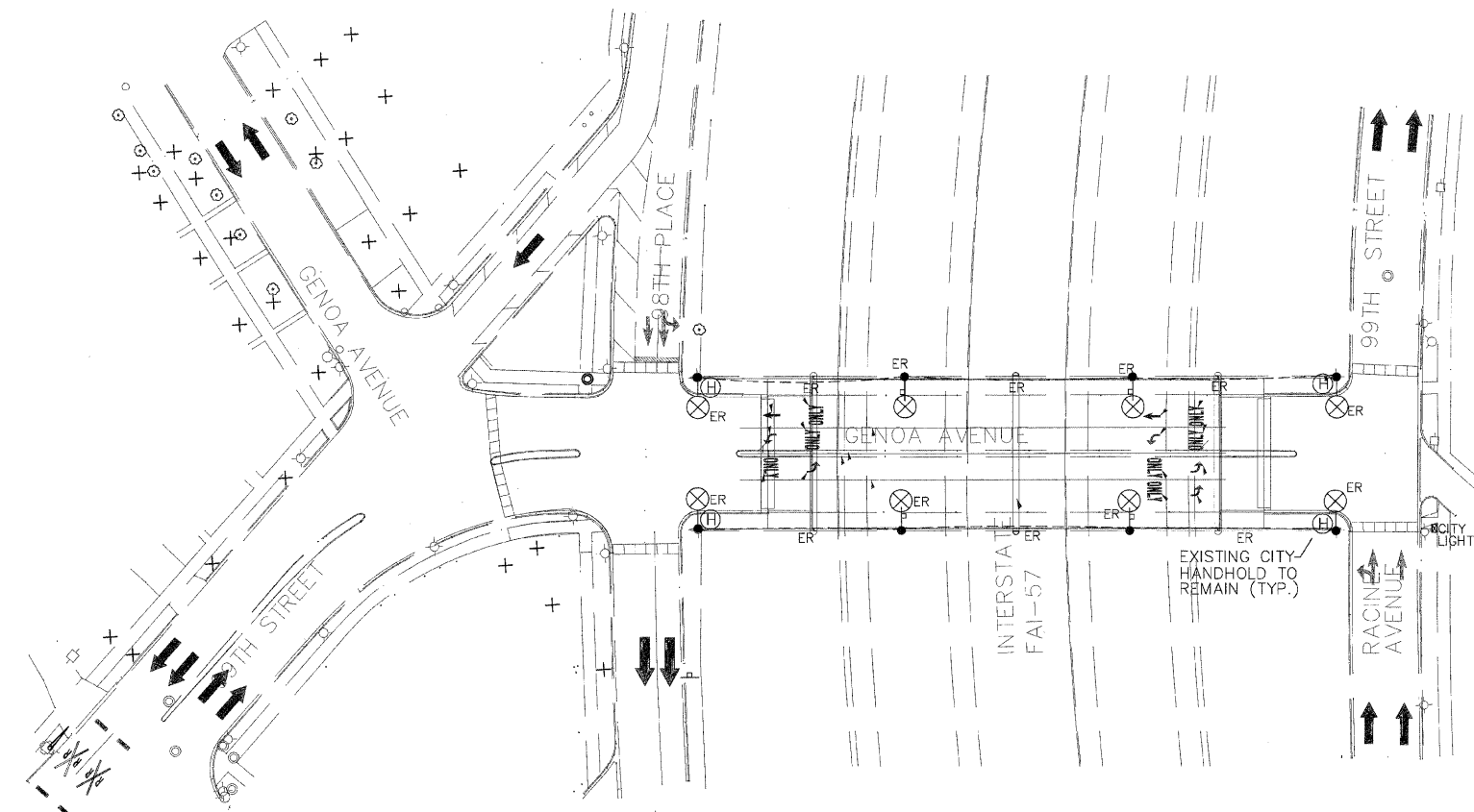
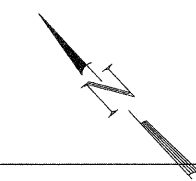


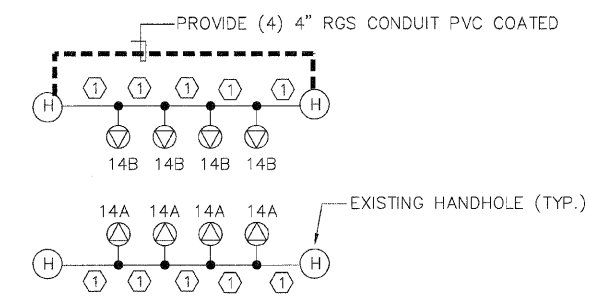
F.A.I. RTE.	SECTION	COUNTY	TOTAL SHEETS	SHEET NO.
57	068-2222-3B	COOK	77	26
STA.		TO STA.		
FED. ROAD DIST. NO.		ILLINOIS	FED. AID PROJECT	



REMOVAL OF EXISTING GENOA AVE
BRIDGE LIGHTING PLAN
SCALE: 1" = 40'-0"

REMOVAL NOTES:

- CONTRACTOR SHALL REMOVE EXISTING CITY STREET LIGHTING, INCLUDING ALL ASSOCIATED WIRING, CONDUITS, FOUNDATION, ETC. TO ALLOW FOR THE NEW CONSTRUCTION.
- CONTRACTOR SHALL COORDINATE REMOVAL WORK WITH CITY OF CHICAGO BUREAU OF ELECTRICITY. LIGHT POLES SHALL BE SALVAGED BY THE CONTRACTOR AND DELIVERED TO TONY WILKINS, CITY OF CHICAGO, DEPARTMENT OF STREET AND SANITATION BUREAU OF ELECTRICITY AT TELEPHONE NUMBER (312) 746-5048 (48 HOURS ADVANCE NOTICE REQUIRED). THIS WORK SHALL INCLUDE REMOVING, TRANSPORTING AND UNLOADING THE ALL LUMINARIES, ARMS AND POLES AT THE ABOVE YARD WHICH COST SHALL BE CONSIDERED INCLUDED IN THE PAY ITEM: "REMOVAL OF EXISTING LIGHTING UNIT, SALVAGE".



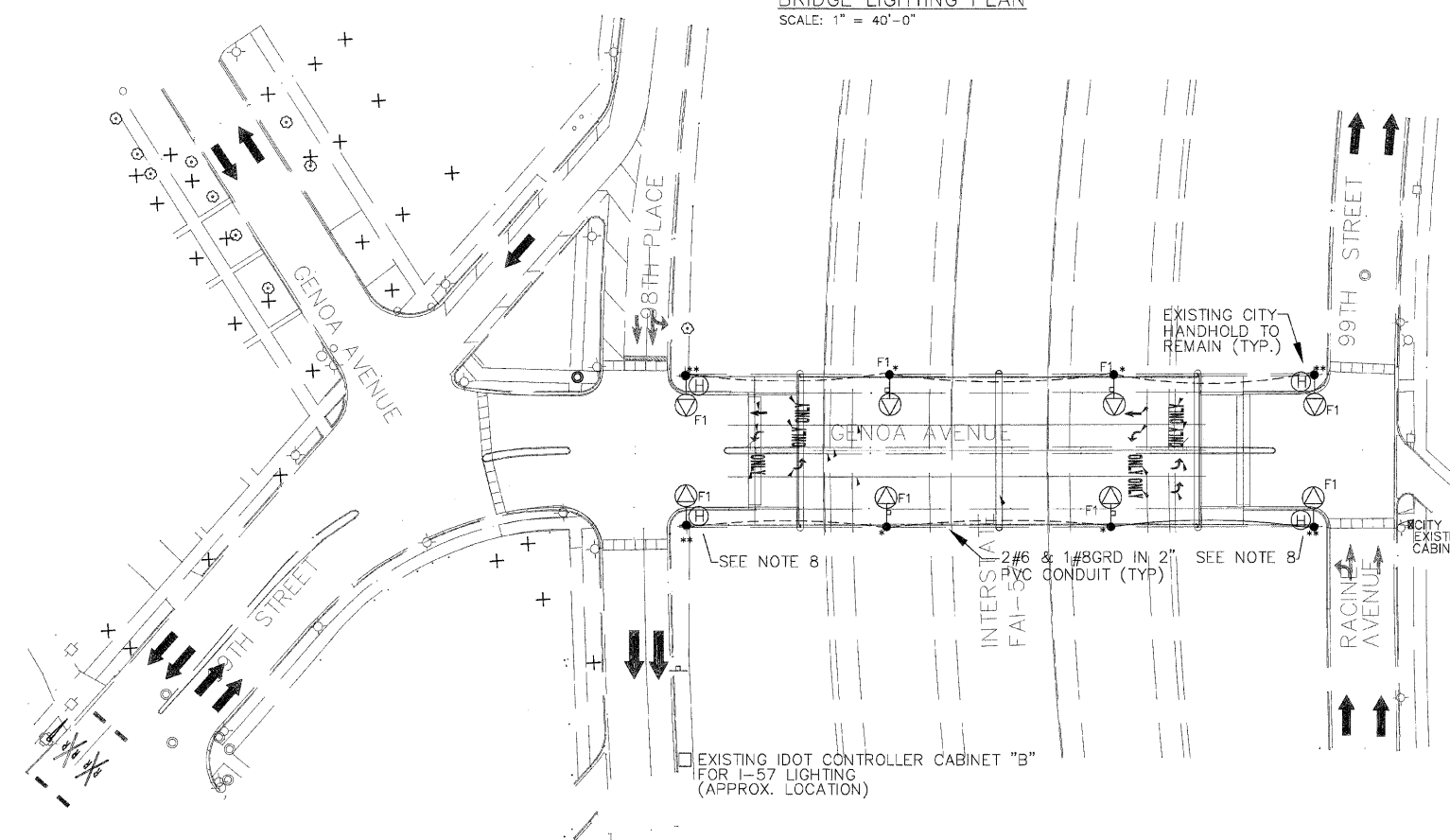
- LEGEND
- NEW 400W HPS 240V FIXTURE WITH 34'-6" POLE AT GRADE OR 32'-6" POLE AT PARAPET WALL.
 - EXISTING CITY OF CHICAGO ELECTRIC HANDHOLE TO REMAIN

KEYED NOTES:

- 2#6 & 1#8GRD IN 2" PVC CONDUIT

FOR MORE INFORMATION ABOUT EXISTING CABINETS REFER TO CITY OF CHICAGO ATLAS DRAWINGS. MAINTAIN SERVICE TO EXISTING CIRCUITS NOT PART OF THIS WORK, PROVIDE TEMPORARY OVERHEAD CABLES AS REQUIRED TO MAINTAIN LIGHTING DURING CONSTRUCTION.

PARTIAL WIRING DIAGRAM FOR GENOA STREET BRIDGE



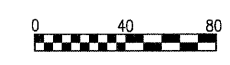
PROPOSED GENOA AVE
BRIDGE LIGHTING PLAN
SCALE: 1" = 10'-0"

PROPOSED NOTES:

- COORDINATE EXACT ROUTING OF CONDUITS WITH OTHER TRADES TO AVOID ANY CONFLICT.
- ALL UNDERGROUND CONDUITS SHALL BE ROUTED 36" BELOW GRADE.
- "*" INDICATE POLE MOUNTED ON PARAPET WALL, REFER TO BRIDGE DETAIL FOR FOUNDATION MOUNTED AT BRIDGE PARAPET.
- NEW POLES, ARMS, AND FIXTURES WILL BE PROVIDED BY THE CITY OF CHICAGO BUREAU OF ELECTRICITY, AND INSTALLED BY THE CONTRACTOR. COORDINATE EXACT REQUIREMENT WITH TONY WILKINS, CITY OF CHICAGO, DEPARTMENT OF STREET AND SANITATION BUREAU OF ELECTRICITY AT TELEPHONE NUMBER (312) 746-5048 (48 HOURS ADVANCE NOTICE REQUIRED) FOR PICKUP AND COMPLETE FUNCTIONAL INSTALLATION. CONTRACTOR TO PROVIDE VIBRATION MOUNTING PAD, WASHERS, LOCKNUT, ETC. FOR COMPLETE INSTALLATION OF CITY POLES. ALL THESE ITEMS ARE PART OF POLE INSTALLATION PAY ITEM.
- PROVIDE TEMPORARY OVERHEAD CABLES TO MAINTAIN SERVICE FOR OTHER POLES NOT AFFECTED BY THIS WORK.
- REINSTALL SIGNS AFTER INSTALLATION OF NEW LIGHT POLES AT BOTH BRIDGES.
- "**" INDICATE POLE MOUNTED ON WING WALL, REFER TO BRIDGE DETAIL FOR FOUNDATION MOUNTED AT BRIDGE WING WALL. TWO CONDUITS SHOULD STUB OUT OF THE FOUNDATION: (1) FOR A 2" PVC CONDUIT AND (1) FOR A 3" PVC CONDUIT. REFER TO BRIDGE DRAWINGS FOR EXACT ROUTING.
- PROVIDE (4) 4" RGS CONDUIT PVC COATED BETWEEN HANDHOLES AS SHOWN. THIS WORK SHALL INCLUDE ALL NECESSARY EXCAVATION, BACKFILLING, MOUNTING, SUPPORT, ATTACHING, AND ALL LABOR AND MATERIALS ASSOCIATED WITH CONNECTING THE NEW CONDUITS BETWEEN THE TWO HANDHOLES. CONTRACTOR SHALL ADJUST HANDHOLES TO ALLOW FOR REMOVAL AND INSTALLATION OF NEW CONDUITS.

Advance
Consulting Group International

300 W. ALVAMS ST.
SUITE 202
CHICAGO, IL 60606
TEL: 312.367.1940
FAX: 312.367.1945
EMAIL: advance@cgint.com



REVISIONS	
NAME	DATE

ILLINOIS DEPARTMENT OF TRANSPORTATION

GENOA AVE LIGHTING
(CITY OF CHICAGO)

DATE 8-4-09

DRAWN BY EHE
CHECKED BY EE