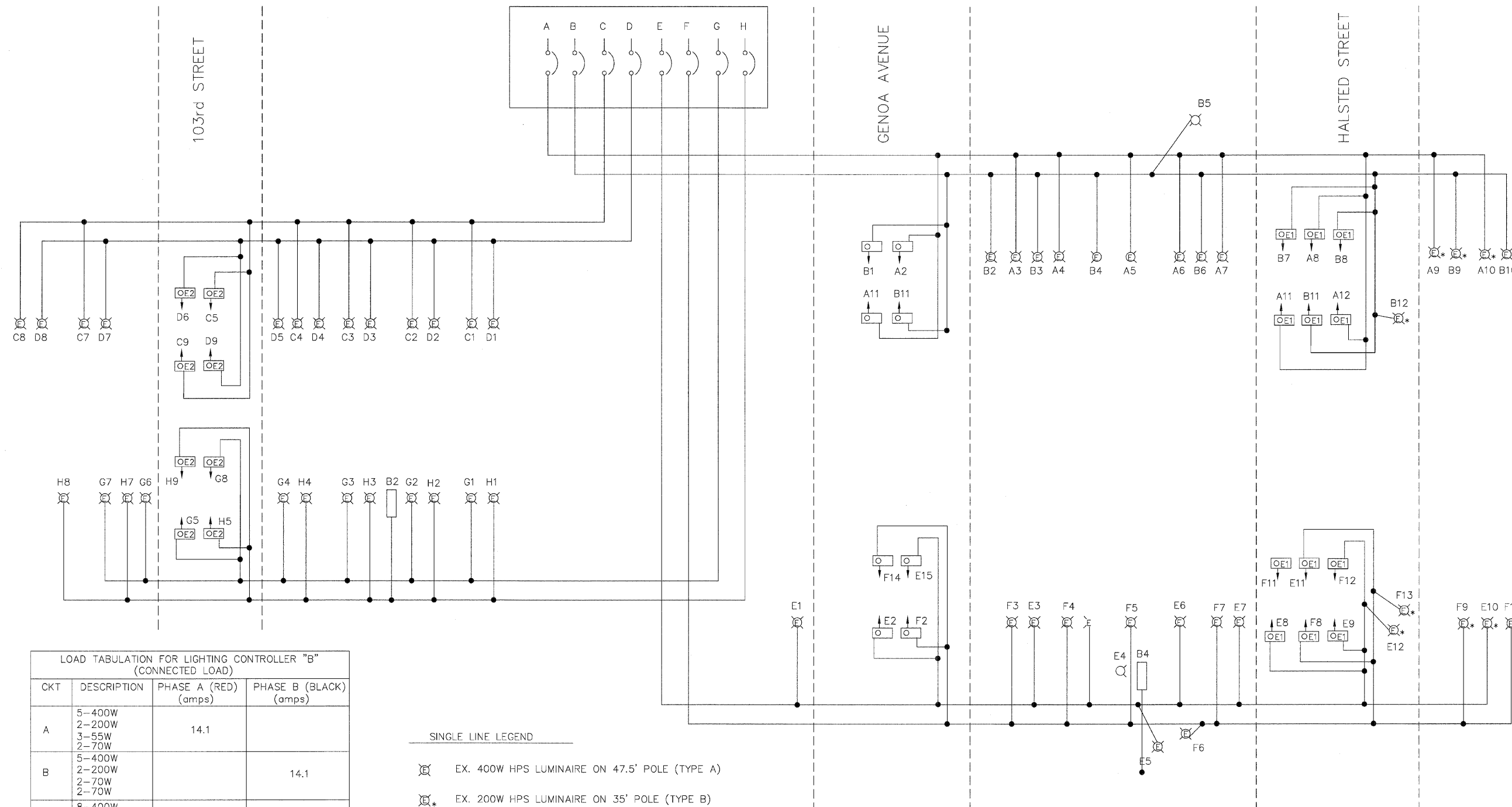


F.A.I. RTE.	SECTION	COUNTY	TOTAL SHEETS	SHEET NO.
57	068-2222-3B	COOK	77	27
STA. --		TO STA. --		
FED. ROAD DIST. NO.	ILLINOIS	FED. AID PROJECT		

CONTROLLER CABINET "B"
240/480V, 1PH, (2)125A MAIN
50A BRANCH CIRCUIT BREAKERS



LOAD TABULATION FOR LIGHTING CONTROLLER "B"
(CONNECTED LOAD)

CKT	DESCRIPTION	PHASE A (RED) (amps)	PHASE B (BLACK) (amps)
A	5-400W 2-200W 3-55W 2-70W	14.1	
B	5-400W 2-200W 2-70W 2-70W		14.1
C	8-400W 2-70W	17.2	
D	8-400W 2-70W		17.2
E	6-400W 2-200W 4-85W 3-55W 2-70W	17.9	
F	5-400W 3-200W 2-85W 3-55W 2-70W		17.9
G	7-400W 2-70W 2-85W	16.2	
H	7-400W 2-70W 2-85W		18.2
TOTALS		65.4	65.4

- SINGLE LINE LEGEND
- EX. 400W HPS LUMINAIRE ON 47.5' POLE (TYPE A)
 - EX. 200W HPS LUMINAIRE ON 35' POLE (TYPE B)
 - EX. 55W LPS UNDERPASS LUMINAIRE
 - EX. 70W LPS UNDERPASS LUMINAIRE
 - NEW 70W HPS UNDERPASS LUMINAIRE
 - FUSED DISCONNECT
 - CIRCUIT BREAKER
 - CONNECTION
 - LIGHTED SIGN STRUCTURE--
B2 = 2 FIXTURES (4 - 85W FLUORESCENT)
B4 = 3 FIXTURES (6 - 85W FLUORESCENT)

LIGHTING CABINET "B" SINGLE LINE DIAGRAM
N.T.S.

Advance
Consulting Group International
300 W. ADAMS ST.
SUITE 420
CHICAGO, IL 60608
TEL: 312-361-1840
FAX: 312-361-1845
Web Site: www.acgill.com

REVISIONS	
NAME	DATE

ILLINOIS DEPARTMENT OF TRANSPORTATION

GENOA AVE LIGHTING
ELECTRICAL DETAILS

DRAWN BY EHE
CHECKED BY EE
DATE 8-4-09