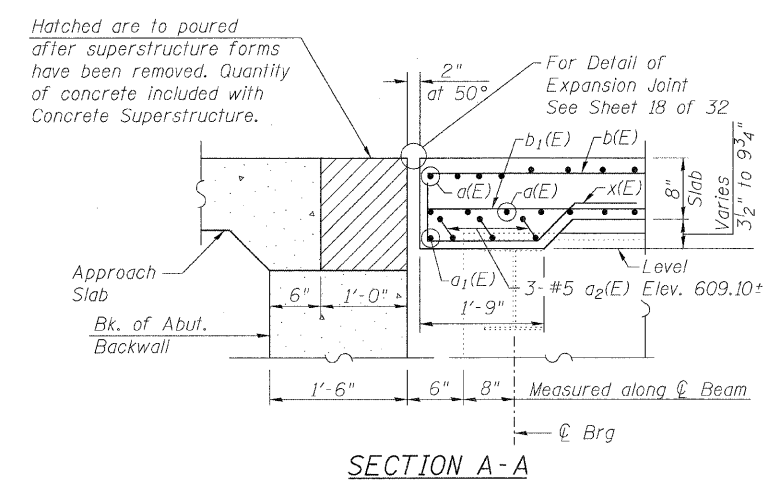
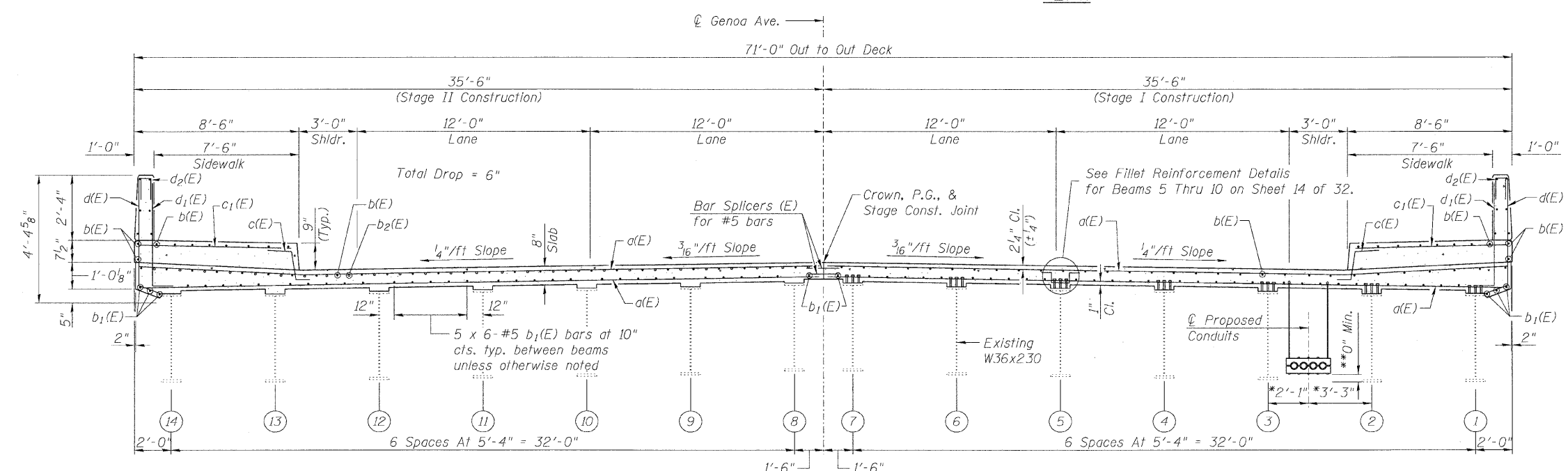
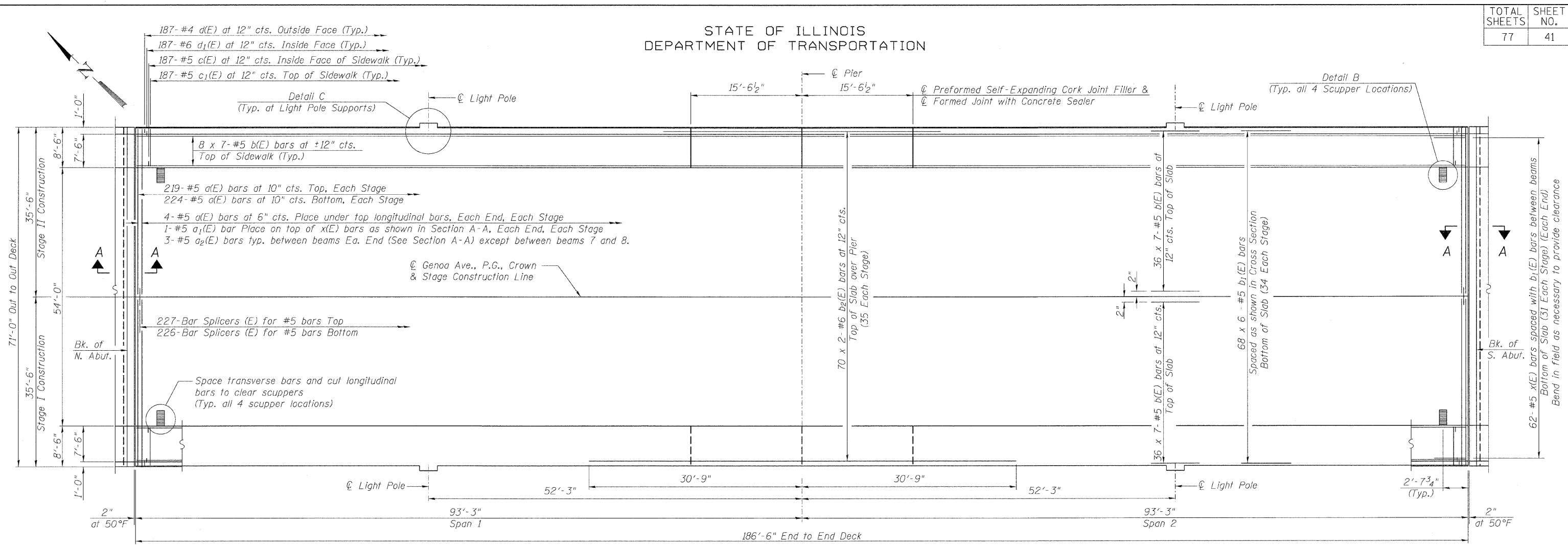


STATE OF ILLINOIS
DEPARTMENT OF TRANSPORTATION



MIN BAR LAP
 #4 Bar = 1'-8"
 #5 Bar = 2'-2"
 #6 Bar = 2'-7"

SUPERSTRUCTURE
STRUCTURE NO. 016-2030

Notes:
 Bars indicated thus 36 x 7- #5 etc. indicates 36 lines of bars with 7 lengths per line.
 See Sheet 12 of 32 for Parapet Reinforcement.
 See Sheet 13 of 32 for Detail B.
 See Sheet 14 of 32 for Bill of Material and Detail C.

* Contractor to confirm location of conduits not in conflict with deck drainage system and adjust location if needed.
 ** Conduit bank and supports shall be above low steel of adjacent girders. Contractor shall survey all diaphragms between girder lines 2 and 3 prior to ordering material for conduit supports to ensure that conduit banks and their support system fit within space shown. Modification to conduit bank configuration is included with the pay item for the conduits.

LE LIN ENGINEERING, LTD.
 Consulting Engineers
 Chatham, Illinois

Designed By: ESH
 Checked By: MTH
 Date: 7/2009

Drawn By: ESH
 File: 016-2030.dgn

SHEET NO. 11 32 SHEETS	F.A.I. RTE.	SECTION	COUNTY	TOTAL SHEETS	SHEET NO.
	57	2222.3B	COOK	77	41
FED. ROAD DIST. NO.			ILLINOIS	FED. AID PROJECT	
CONTRACT NO. 62119					