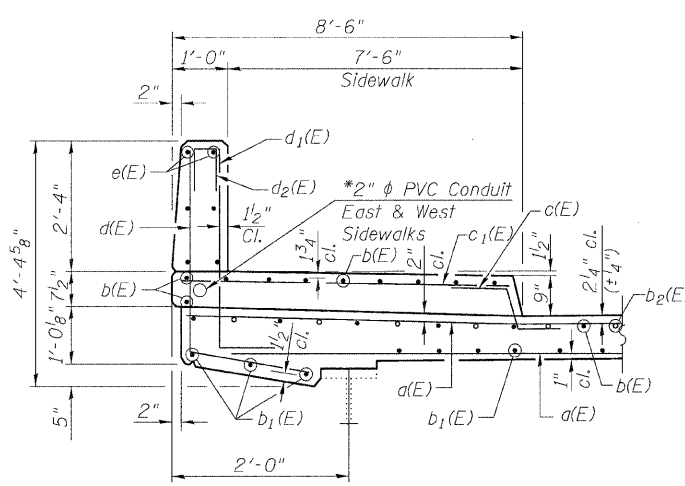
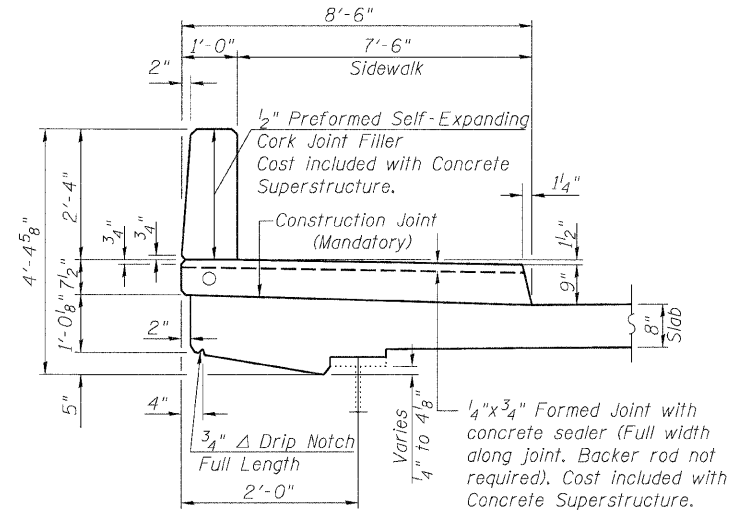


INSIDE ELEVATION OF EAST PARAPET AND SIDEWALK
(West Parapet and Sidewalk Similar)

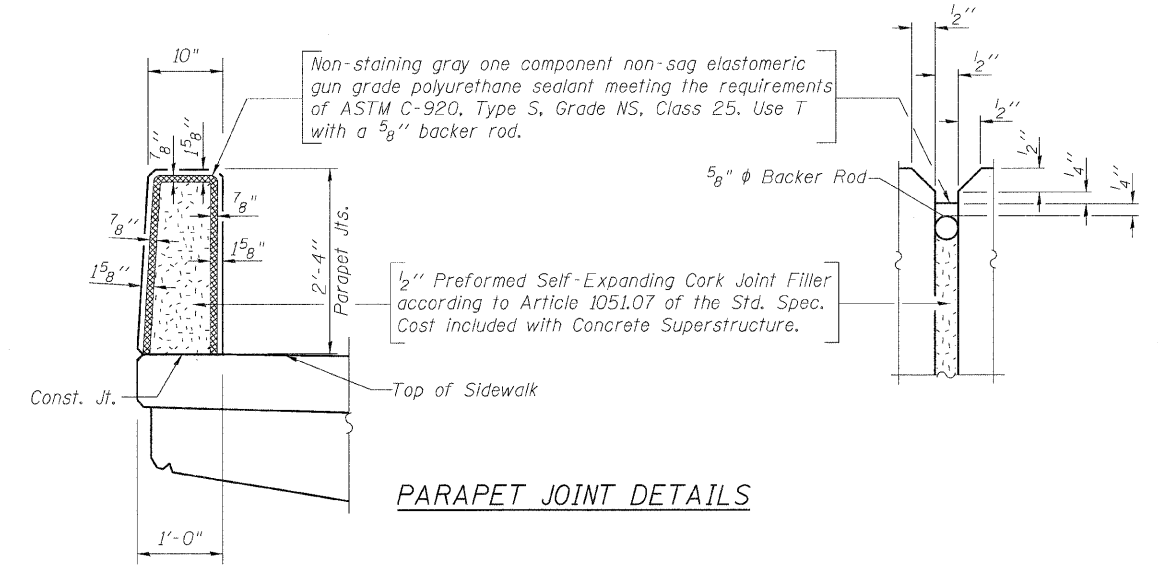


SECTION THRU PARAPET & SIDEWALK



**SECTION E-E
PARAPET JOINT DETAIL**

MINIMUM BAR LAP
(Parapet)
#5 bar = 1'-8"



PARAPET JOINT DETAILS

Notes:
Bar indicated thus 2x7-#5 etc. indicates 2 lines of #5 bars with 7 lengths per line.
See Sheet 11 of 32 for Deck Plan and Cross Section.
See Sheet 14 of 32 for Bill of Material.
* For Pay Item see Electrical Plans

SUPERSTRUCTURE DETAILS - 1
STRUCTURE NO. 016-2030

<p>LIN ENGINEERING, LTD. Consulting Engineers Chatham, Illinois</p>	SHEET NO. 12	F.A.I. RTE.	SECTION	COUNTY	TOTAL SHEETS	SHEET NO.
	32 SHEETS	57	2222.3B	COOK	77	42
Designed By: ESH Date: 7/2009		Checked By: MTH File: 016-2030.dgn		FED. ROAD DIST. NO. ILLINOIS		CONTRACT NO. 62119 FED. AID PROJECT