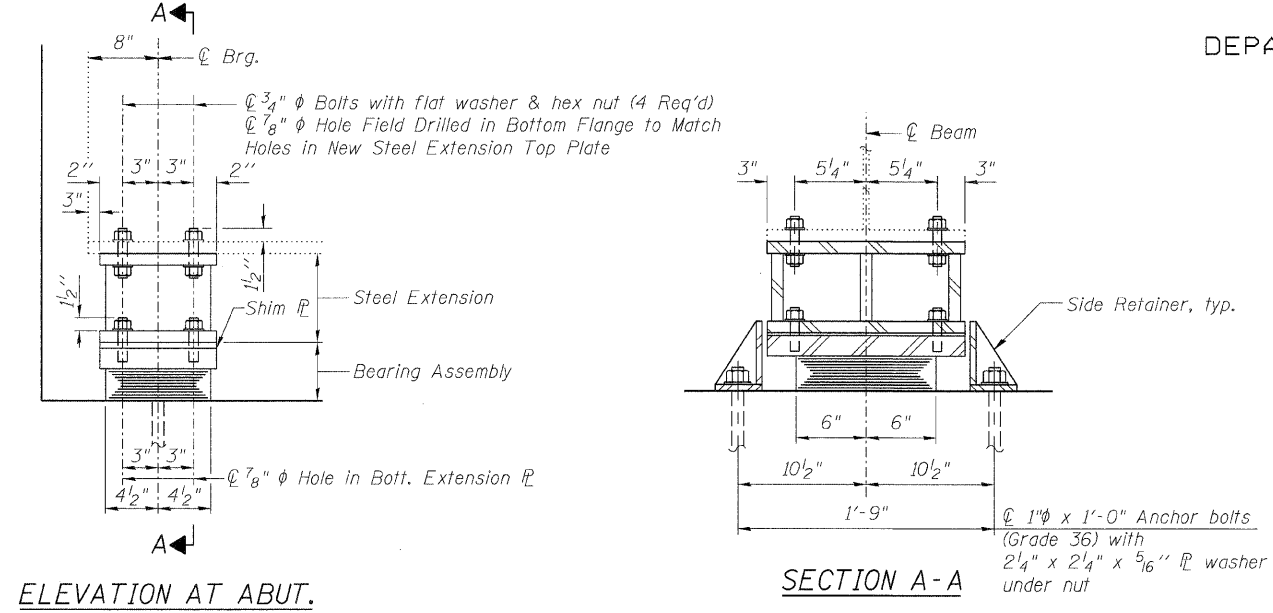


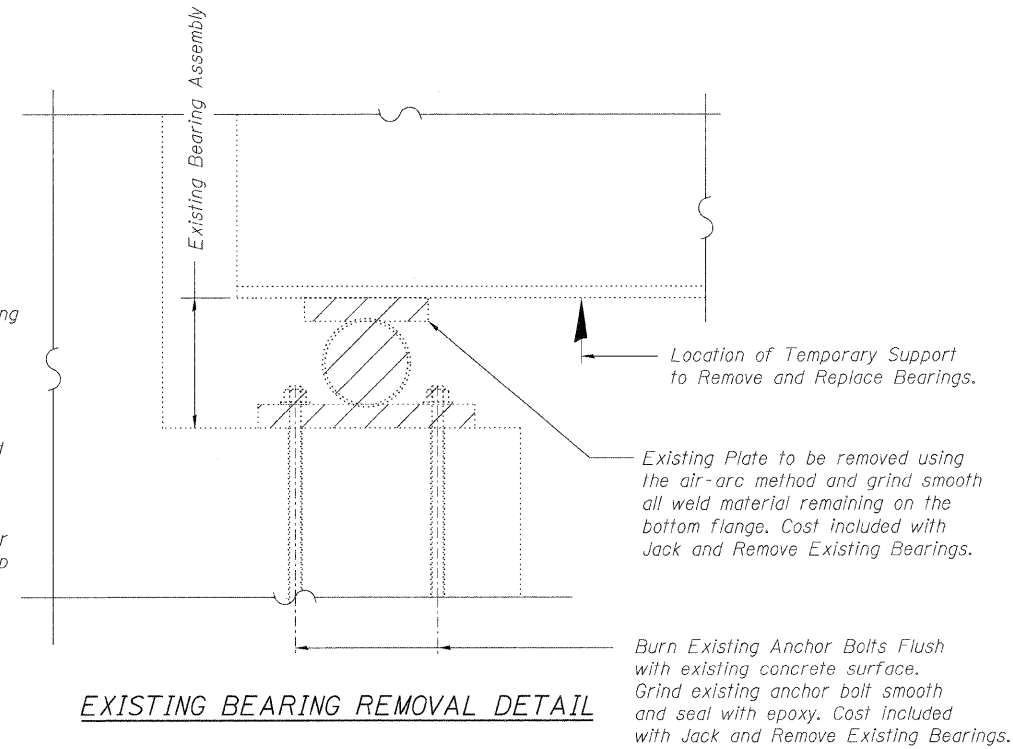
STATE OF ILLINOIS
DEPARTMENT OF TRANSPORTATION



ELEVATION AT ABUT.

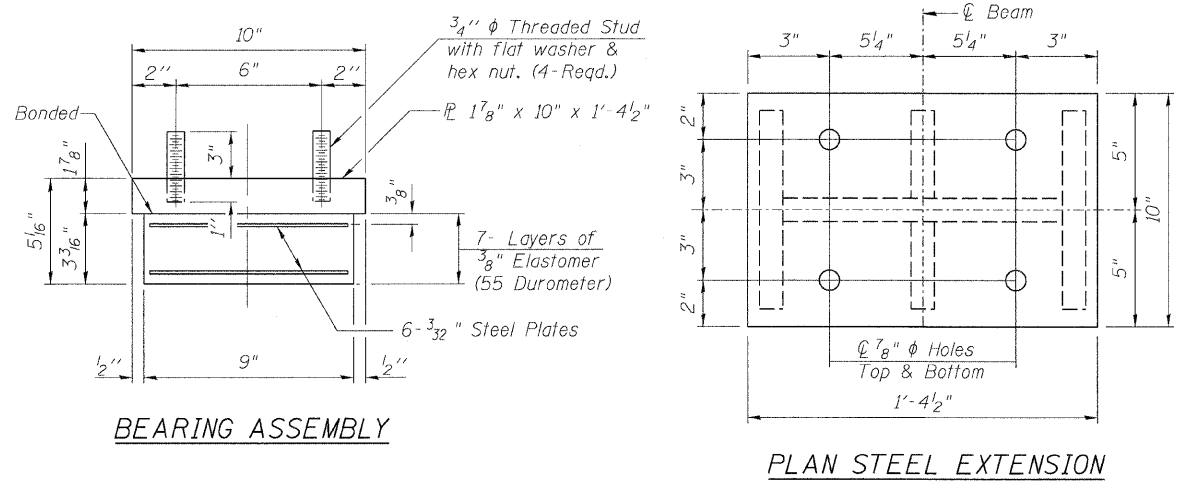
TYPE I ELASTOMERIC EXP. BRG.

Notes:
Anchor bolts shall be ASTM F1554 all-thread (or an Engineer-approved alternate material) of the grade(s) and diameter(s) specified. ASTM A307 Grade C anchor bolts may be used in lieu of ASTM F1554 Grade 36 (Fy=36ksi). The corresponding specified grade of AASHTO M314 anchor bolts may be used in lieu of ASTM F1554.
Drilled and set anchor bolts shall be installed according to Article 521.06 of the Standard Specifications.
Side retainers and other steel members required for the bearing assembly shall be included in the cost of Elastomeric Bearing Assembly, Type I.
Two 1/8 in. adjusting shims shall be provided for each bearing in addition to all other plates or shims and placed as shown on bearing details.
Steel Extensions shall be included in the cost of Furnishing and Erecting Structural Steel.
The Contractor is to verify the existing dimensions prior to fabricating the steel extensions. It is intended to keep the existing beams at their current elevation.



EXISTING BEARING REMOVAL DETAIL

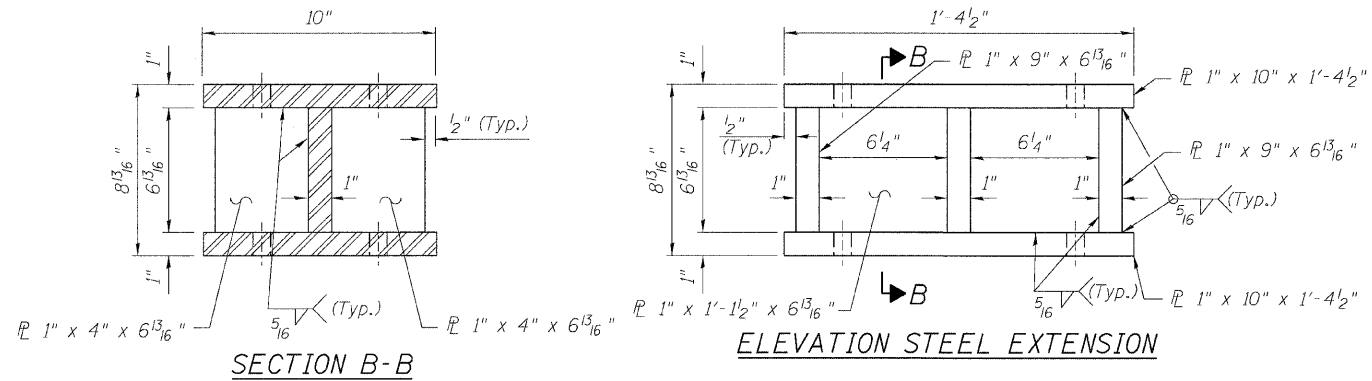
Notes:
Hatch area indicates Bearing removal. See Special Provision for Jack and Remove Existing Bearings.
Estimated Max. Dead Load Reaction of Superstructure Steel only = 9.5 kips/beam.
Minimum Jack Capacity = 7.5 Tons.



BEARING ASSEMBLY

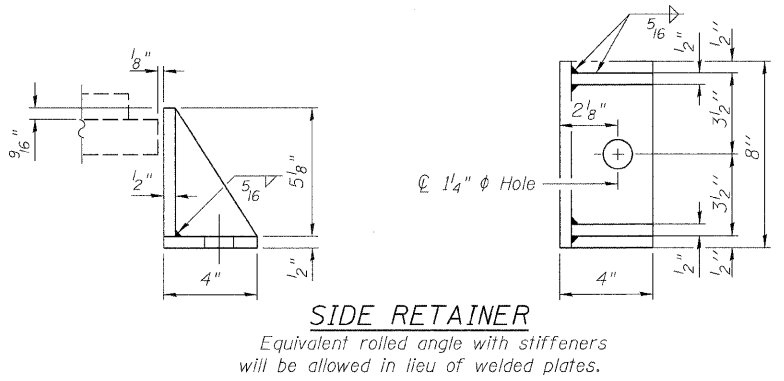
PLAN STEEL EXTENSION

Note:
Shim plates shall not be placed under Bearing Assembly.



SECTION B-B

ELEVATION STEEL EXTENSION



SIDE RETAINER
Equivalent rolled angle with stiffeners will be allowed in lieu of welded plates.

BILL OF MATERIAL

Item	Unit	Total
Elastomeric Bearing Assembly Type I	Each	28
Anchor Bolts, 1"	Each	56
Jack and Remove Existing Bearings	Each	28

BEARING DETAILS
STRUCTURE NO. 016-2030

<p>LIN ENGINEERING, LTD. Consulting Engineers Chatham, Illinois</p>	SHEET NO. 21	F.A.I. RTE.	SECTION	COUNTY	TOTAL SHEETS	SHEET NO.
	32 SHEETS	57	2222.3B	COOK	77	51
Designed By: ESH Checked By: MTH Date: 7/2009		Drawn By: ESH File: 016-2030.dgn		CONTRACT NO. 62119		
FED. ROAD DIST. NO.		ILLINOIS FED. AID PROJECT				