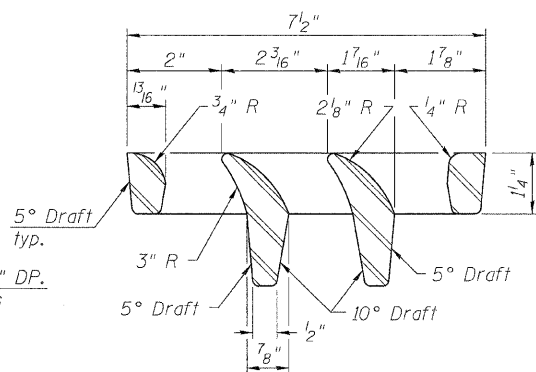
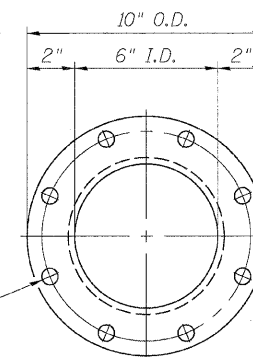


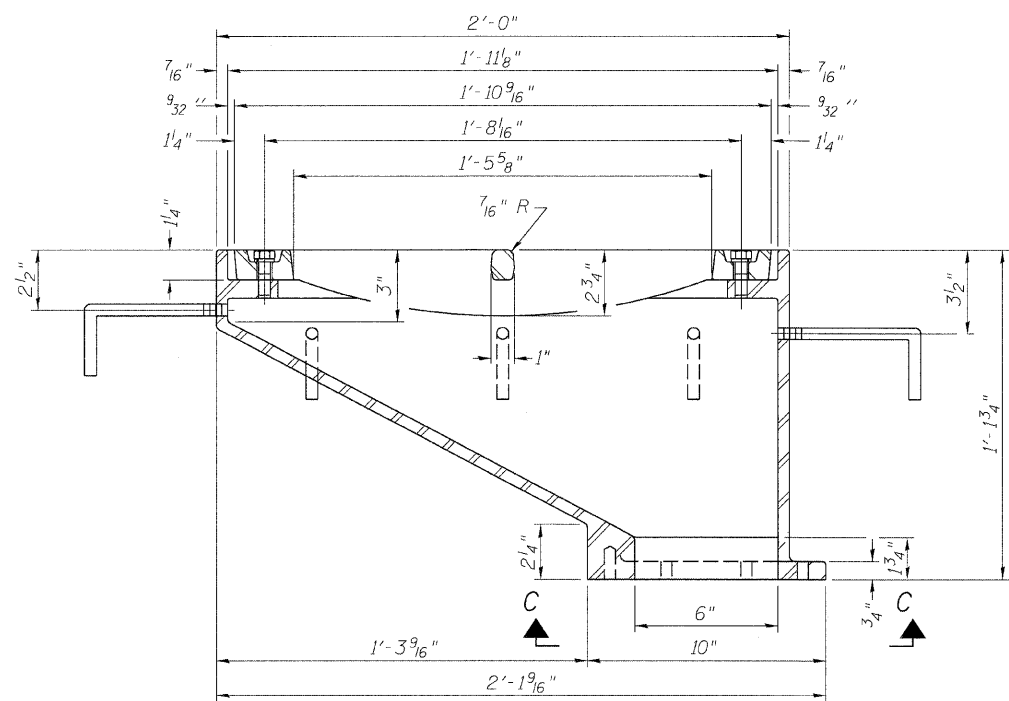
PLAN



VANE GRATE DETAIL

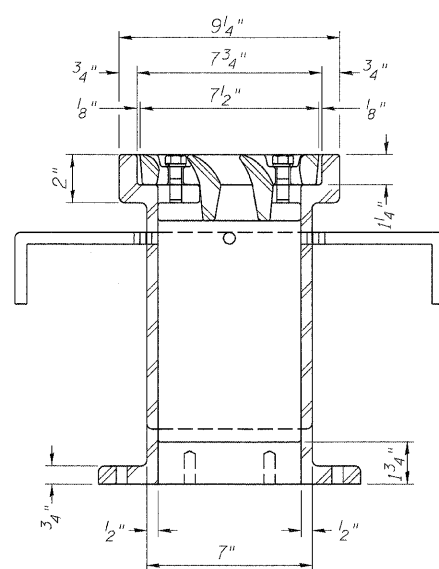


8-9/16" φ holes on an 8 3/4" φ bolt circle

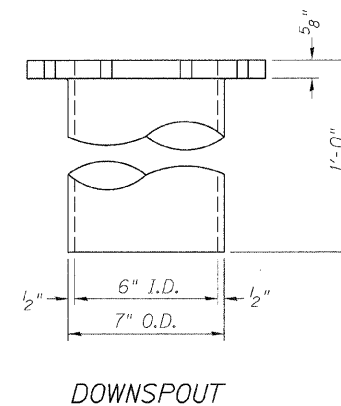


SECTION A-A

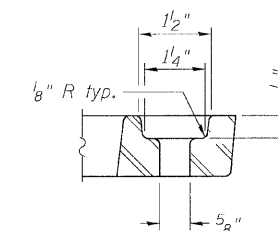
See sheet 13 of 32 for scupper location relative to parapet.



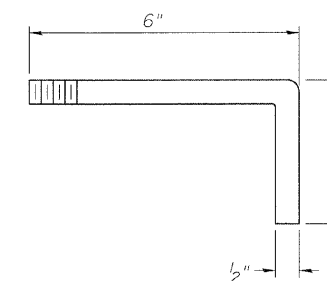
SECTION B-B



DOWNSPOUT



BOLT HOLE DETAIL

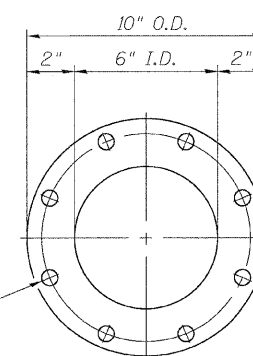


ANCHOR STUD DETAIL

BILL OF MATERIAL

ITEM	UNIT	QUANTITY
Drainage Scupper, DS-12	Each	4

Drill and tap 8 holes for 1/2"-13 bolts on an 8 3/4" φ bolt circle. (2 blind holes are 1 1/4" deep, 6 thru holes)



VIEW C-C

DRAINAGE SCUPPER, DS-12
STRUCTURE NO. 016-2030