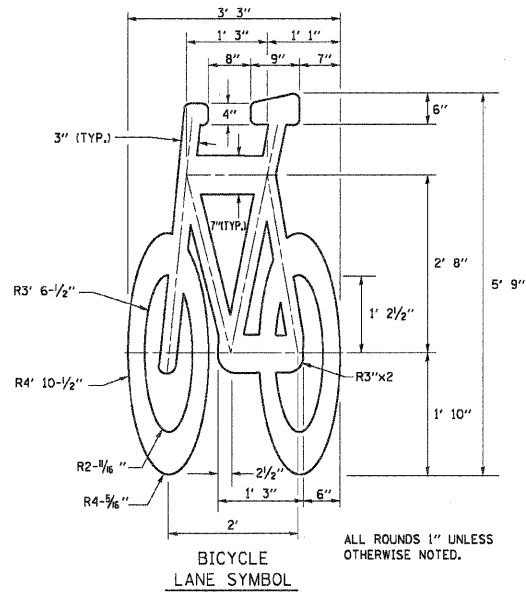
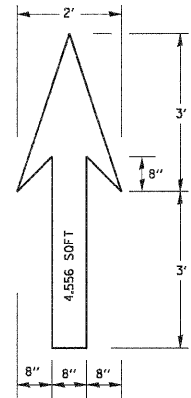


F.A.I. RTE.	SECTION	COUNTY	TOTAL SHEETS	SHEET NO.
57	2222.3B	COOK	77	75
STA. 12+06.00		TO STA. 16+17.11		
FED. ROAD DIST. NO.		ILLINOIS FED. AID PROJECT		



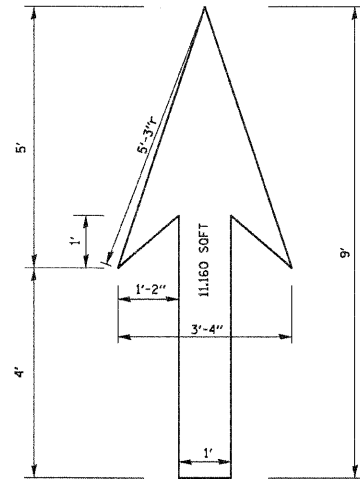
**NOTE:**  
 1.) FOR BIKE LANE SYMBOLS ONLY, USE PRE-FORMED THERMOPLASTIC WITH A MINIMUM THICKNESS OF 90 MILS, MINIMUM SKID RESISTANCE VALUE OF 60 BPN, & A MINIMUM INDEX OF REFRACTION OF 1.50.

2.) THE RESIDENT ENGINEER SHALL CONTACT MR. BEN GOMBERG AT 312-744-8093 AT LEAST ONE CALENDAR WEEK PRIOR TO INSTALLING BIKE LANE SYMBOLS.

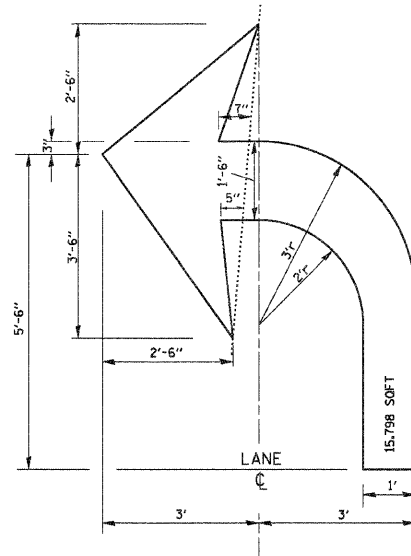
TYPICAL BIKE LANE SYMBOLS  
 DRAWING #28

PLOT DATE = 3/7/2007  
 FILE NAME = K:\data\std\tss24.dgn  
 PLOT SCALE = 60.000' / IN.  
 USER NAME = bboard1

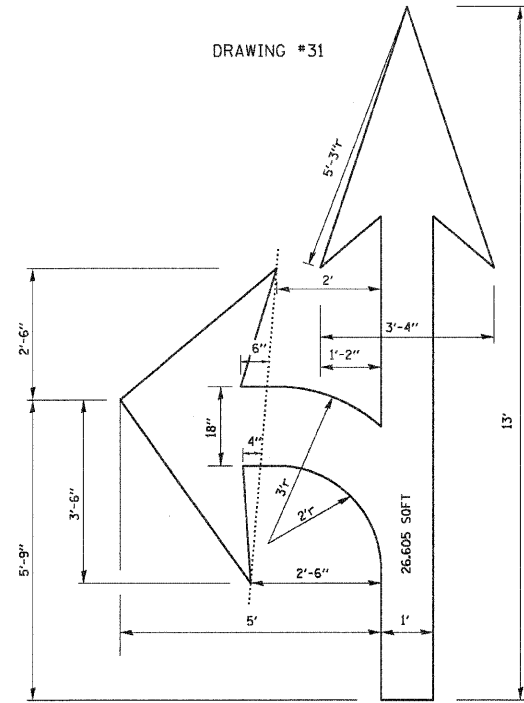
DRAWING #29



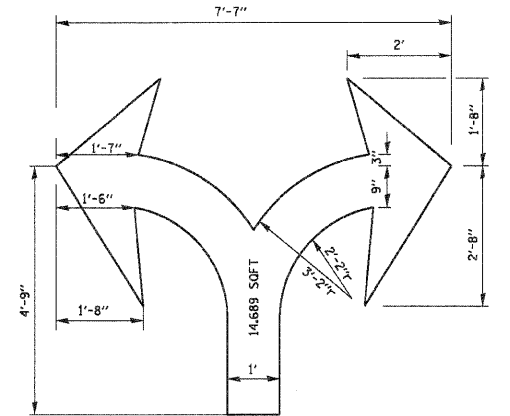
DRAWING #30



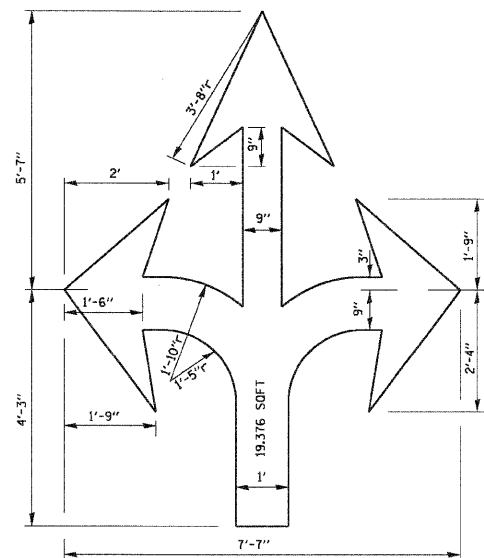
DRAWING #31



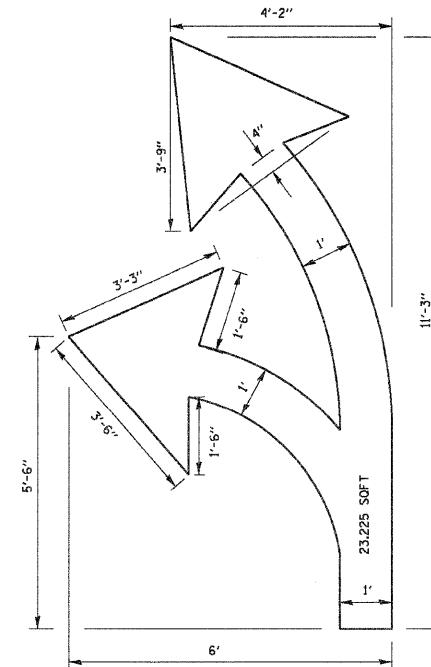
DRAWING #32



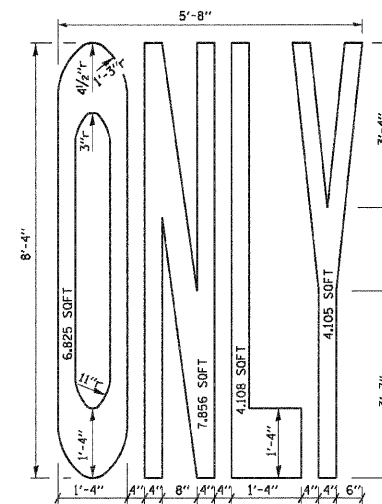
DRAWING #33



DRAWING #34



DRAWING #35



**NOTE:**  
 ALL MARKINGS SHALL BE SOLID WHITE UNLESS OTHERWISE NOTED IN THE PLANS

REVISIONS	
NAME	DATE
T. RAMMACHER	12/07/00

ILLINOIS DEPARTMENT OF TRANSPORTATION

CITY OF CHICAGO  
 TYPICAL PAVEMENT  
 MARKINGS

SCALE: NONE

DRAWN BY  
 CHECKED BY  
 TC-24