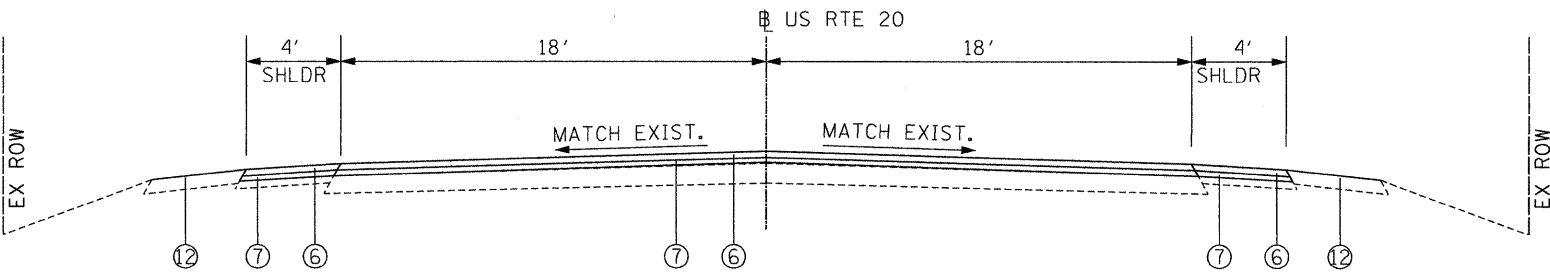


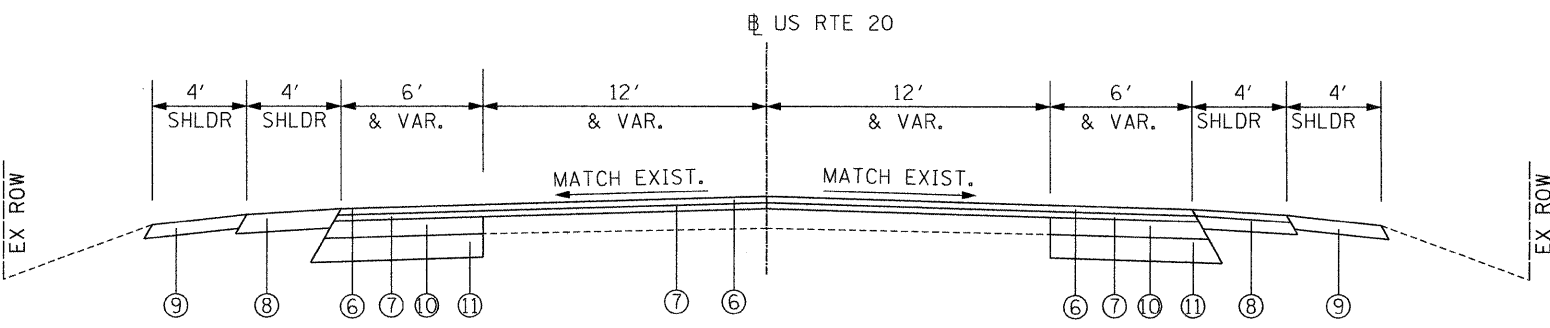
EXISTING TYPICAL SECTION

US ROUTE 20
STA. 105+60 TO STA. 169+90



PROPOSED TYPICAL SECTION

US ROUTE 20
STA. 105+60 TO STA. 142+77 LT
STA. 105+60 TO STA. 143+38 RT
STA. 156+52 TO STA. 169+90 RT
STA. 160+44 TO STA. 169+90 LT
NESLER ROAD
STA. 31+88 TO STA. 38+00



PROPOSED TYPICAL SECTION

US ROUTE 20
STA. 142+77 TO STA. 160+40 LT
STA. 143+38 TO STA. 156+52 RT

LEGEND

- ① EXISTING +/-4" HMA SURFACE
- ② EXISTING +/-12" HMA BASE
- ③ EXISTING AGGREGATE SHOULDER +/- 6"
- ④ EXISTING HMA SHOULDER 8"
- ⑤ HMA SURFACE REMOVAL - 2 1/2" (SEE NOTE 1)
- ⑥ POLYMERIZED HOT-MIX ASPHALT SURFACE COURSE, MIX "F", N90 -1 3/4"
- ⑦ POLYMERIZED LEVELING BINDER (MACHINE METHOD), IL-4.75, N50 -3/4"
- ⑧ HOT-MIX ASPHALT SHOULDER, 8"
- ⑨ AGGREGATE SHOULDER, TYPE B, 6"
- ⑩ HOT-MIX ASPHALT BINDER COURSE, IL-19.0, N70, 12" (IN 3 LIFTS)
- ⑪ AGGREGATE SUBGRADE, 12"
- ⑫ GRADING AND SHAPING SHOULDERS & AGGREGATE WEDGE SHOULDER, TYPE B

NOTES

1. THE CONTRACTOR SHALL PERFORM THE HMA SURFACE REMOVAL OPERATION PRIOR TO THE PAVEMENT PATCHING OPERATIONS. SEE IDOT DISTRICT 1 DETAIL PAVEMENT PATCHING FOR HMA SURFACED PAVEMENT BD-400-04 (BD-22) FOR ADDITIONAL INFORMATION.

HMA MIXTURES REQUIREMENT	
MIXTURE TYPE	VOIDS
PAVEMENT RESURFACING	
POLYMERIZED HOT-MIX ASPHALT SURFACE COURSE, MIX "F", N90 (IL-9.5MM)	4% @ 90 GYR.
POLYMERIZED LEVELING BINDER (MACHINE METHOD), IL-4.75, N50	4% @ 50 GYR.
PAVEMENT WIDENING	
POLYMERIZED HOT-MIX ASPHALT SURFACE COURSE, MIX "F", N90 (IL-9.5MM)	4% @ 90 GYR.
POLYMERIZED LEVELING BINDER (MACHINE METHOD), IL-4.75, N50	4% @ 50 GYR.
HOT-MIX ASPHALT BINDER COURSE, IL-19.0, N70	4% @ 70 GYR.
DRIVEWAYS	
HOT-MIX ASPHALT SURFACE COURSE, MIX C, N50 (IL 9.5 MM); 2"	4% @ 50 GYR.
HOT-MIX ASPHALT BASE COURSE (HMA BINDER IL-19 MM); PE-6", CE-8"	4% @ 50 GYR.
PATCHING	
CLASS D PATCHES (HMA BINDER IL-19 MM)	4% @ 70 GYR.

MIXTURE NOTES:

1. THE UNIT WEIGHT USED TO CALCULATE ALL HOT-MIX ASPHALT SURFACE MIXTURES IS 112 LBS/SQ YD/IN.
2. THE "AC TYPE" FOR POLYMERIZED HMA MIXES SHALL BE "SBS/SBR PG 70-22" AND FOR NON-POLYMERIZED HOT MIX ASPHALT THE "AC TYPE" SHALL BE "PG 64-22" UNLESS MODIFIED BY DISTRICT ONE SPECIAL PROVISIONS. FOR "PERCENT OF RAP" SEE DISTRICT ONE SPECIAL PROVISIONS.

FILE NAME = P:\2009\ME09006_VerVar_Plan\CADD\W05_US20\Shas\05-TYP-sha-US20.dgn
 PLOT SCALE = 4:2000' / IN.
 USER NAME = Millennium Professional Services
 K.L. 4-21-2010



200 22ND Street, Suite 216, Lombard, IL 60148
630.705.0110 voice, 630.839.2566 fax
WWW.MPS-IL.COM

MILLENNIA PROFESSIONAL SERVICES

DESIGNED - TVN	REVISED -
DRAWN - TVN	REVISED -
CHECKED - RPD	REVISED -
DATE - 4/21/2010	REVISED -

**STATE OF ILLINOIS
DEPARTMENT OF TRANSPORTATION**

**U.S. ROUTE 20
EAST OF PLANK ROAD TO WELD ROAD**

TYPICAL SECTIONS

SCALE: SHEET NO. OF SHEETS STA. TO STA.

F.A.P. RTE. 345	SECTION 8WRS-2	COUNTY KANE	TOTAL SHEETS 72	SHEET NO. 5
CONTRACT NO. 62529				

FED. ROAD DIST. NO. 1 ILLINOIS FED. AID PROJECT
P:\2009\ME09006_VerVar_Plan\CADD\W05_US20\Shas\05-TYP-sha-US20.dgn