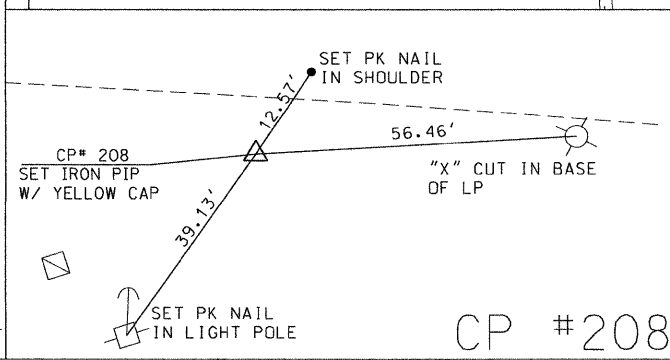
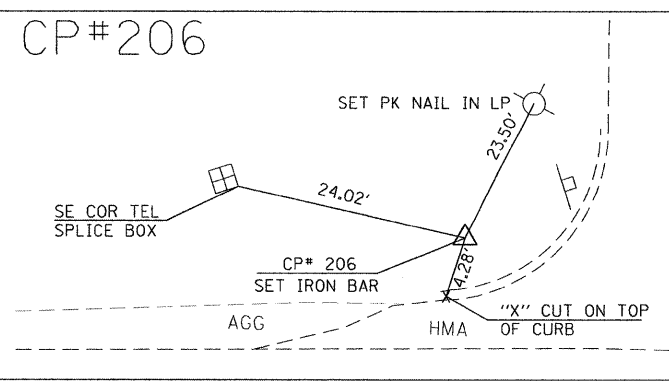
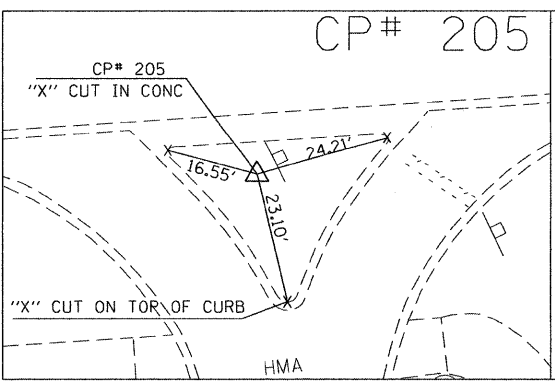
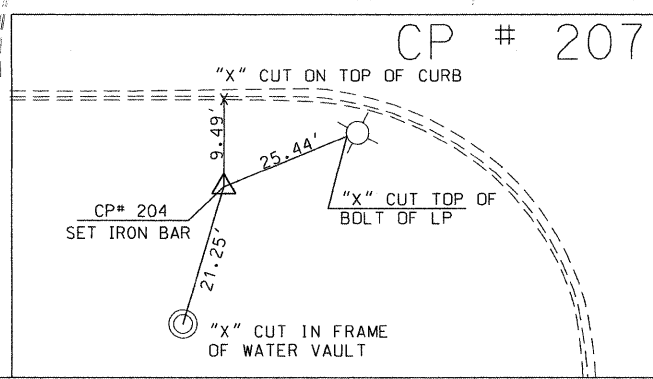
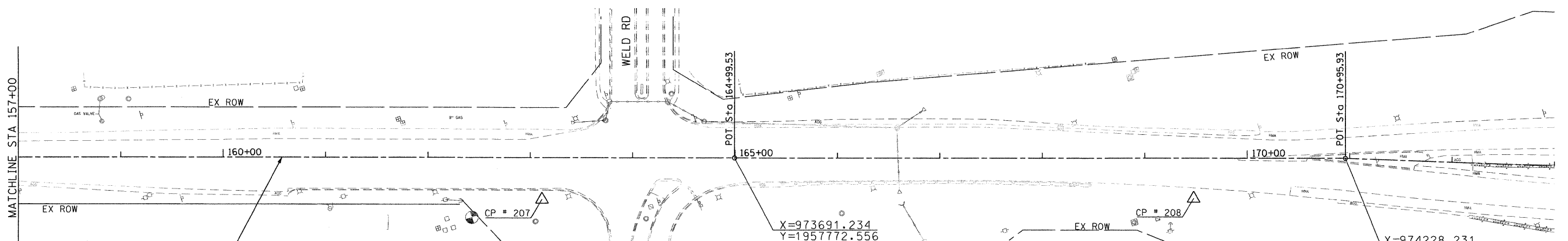
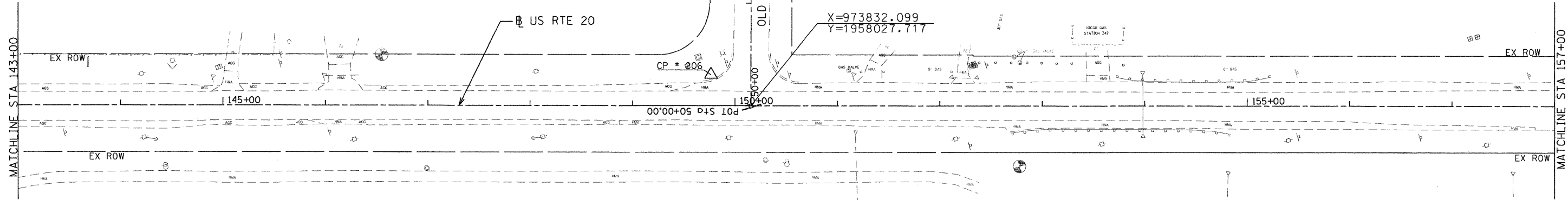


K.B. 4-21-2010

FILE NAME = F:\2009\ME09006_Ver_Ver_Plan\ADD\W05_US20\Shsa\0162529-sha-ATB2.dgn
 PLOT SCALE = 50.0000' / 1" / IN.
 USER NAME = Millennium_Professional_Services



CONTROL POINT	NORTHERN	EASTERN	ELEV.	STATION	OFFSET
201	N 1958321.130	E 973043.833	898.65	97+79.61	29.74 LT
202	N 1958126.910	E 973568.193	901.04	103+35.92	26.71 LT
203	N 1957629.350	E 974609.212	897.59	114+88.60	26.3 LT
204	N 1957125.120	E 975662.094	896.79	126+56.32	28.19 LT
205	N 1956508.642	E 976870.332	906.52	140+10.28	33.79 RT
206	N 1956269.993	E 977810.834	895.65	149+76.67	30.51 LT
207	N 1955801.636	E 979062.709	900.07	163+11.37	41.06 RT
208	N 1955612.334	E 979670.283	894.12	169+47.75	39.53 RT



200 22ND Street, Suite 216, Lombard, IL 60148
 630.705.0110 voice, 630.839.2566 fax
 WWW.MPS-IL.COM
MILLENNIA PROFESSIONAL SERVICES

DESIGNED - TVN	REVISED -
DRAWN - TVN	REVISED -
CHECKED - RPD	REVISED -
DATE - 4/21/2010	REVISED -

STATE OF ILLINOIS
DEPARTMENT OF TRANSPORTATION

U.S. ROUTE 20
EAST OF PLANK ROAD TO WELD ROAD
 SCALE: SHEET NO. OF SHEETS STA. TO STA.

F.A.P. RTE. 345	SECTION 8WRS-2	COUNTY KANE	TOTAL SHEETS 72	SHEET NO. 11
CONTRACT NO. 62529				

FED. ROAD DIST. NO. 1 ILLINOIS FED. AID PROJECT
 P:\2009\ME09006_Ver_Ver_Plan\ADD\W05_US20\Shsa\0162529-sha-ATB2.dgn