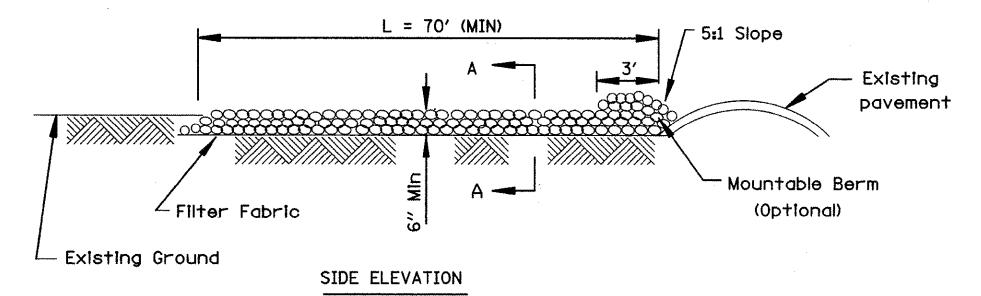
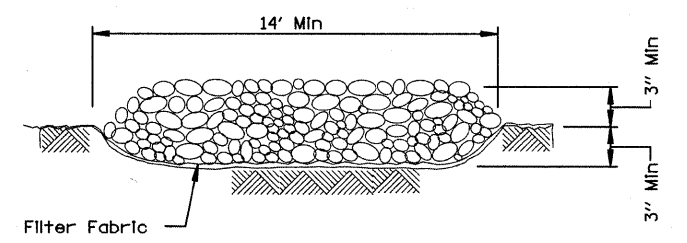


• Must Extend Full Width Of Ingress And Egress Operation.

PLAN VIEW



SIDE ELEVATION

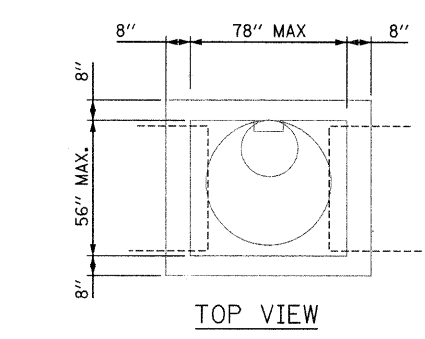


SECTION A-A

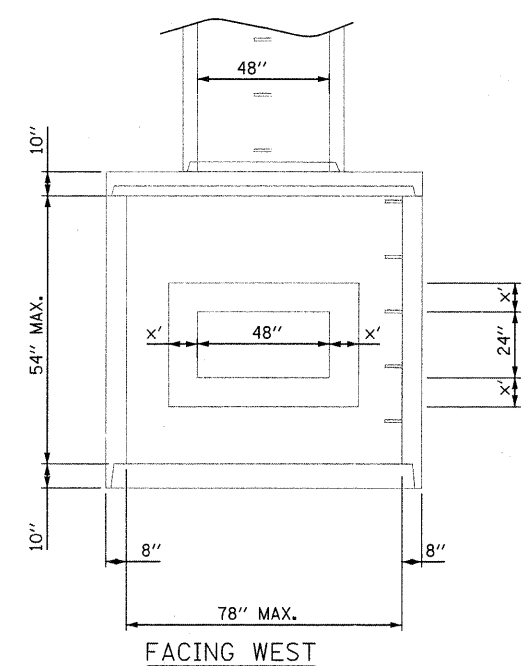
NOTES:

1. NO VEHICLES SHALL BE DRIVEN OR MOVED ON ANY STREET UNLESS SUCH MATERIAL IS FREE FROM MUD OR OTHER FOREIGN SUBSTANCE.
2. FILTER FABRIC SHALL MEET THE REQUIREMENTS OF IDOT GEOTEXTILE MATERIAL SPECIFICATIONS AND SHALL BE PLACED OVER THE CLEARED AREA PRIOR TO THE PLACEMENT OF ROCK.
3. ROCK OR RECLAIMED CONCRETE SHALL MEET ONE OF THE FOLLOWING IDOT COARSE AGGREGATE GRADATION, CA-1, CA-2, CA-3 OR CA-4 AND BE PLACED ACCORDING TO CONSTRUCTION SPECIFICATION 25 ROCKFILL USING PLACEMENT METHOD 1 AND CLASS III COMPACTION.
4. ANY WASH RACKS OR DRAINAGE FACILITIES REQUIRED BECAUSE OF WASHING SHALL BE CONSTRUCTED ACCORDING TO MANUFACTURERS SPECIFICATIONS.

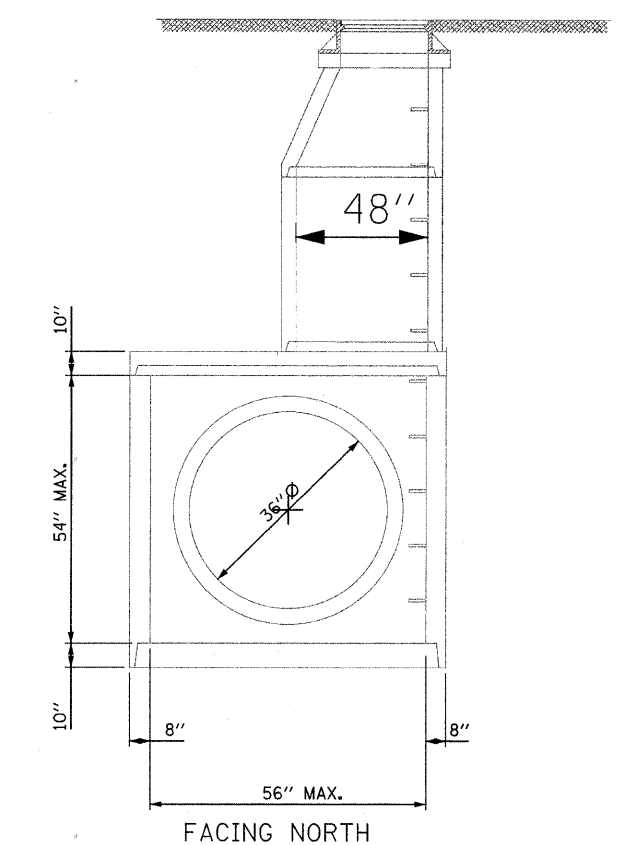
STABILIZED CONSTRUCTION ENTRANCE



TOP VIEW



FACING WEST

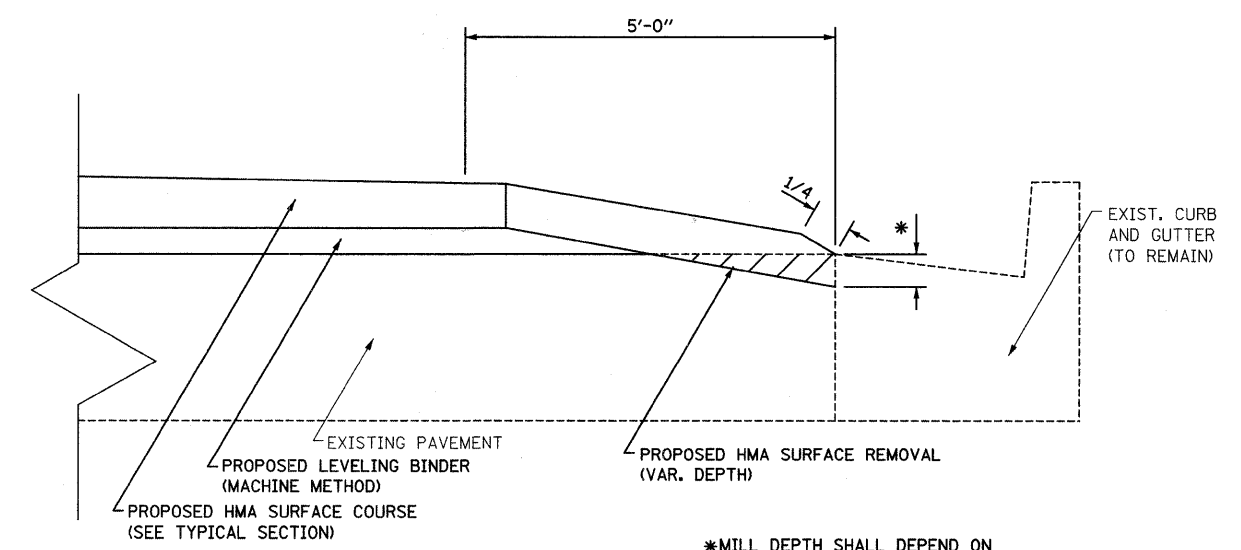


FACING NORTH

NOTE:

1. WALL THICKNESS X' ON PRECAST CONCRETE BOX CULVERT 4'x2' SHALL BE DETERMINED BY CONTRACTOR.

MANHOLES, SPECIAL
NOT TO SCALE



EDGE GRIND DETAIL

*MILL DEPTH SHALL DEPEND ON HMA SURFACE COURSE LIFT THICKNESS.

FILE NAME = m:\p1\6280-8591\6280-004\mcrora\sheet\detail.dgn



USER NAME = edamm	DESIGNED -	REVISED -
PLOT SCALE = 20.0000' / IN.	DRAWN -	REVISED -
PLOT DATE = 3/31/2013	CHECKED -	REVISED -
	DATE -	REVISED -

STATE OF ILLINOIS
DEPARTMENT OF TRANSPORTATION

SCALE: AS SHOWN	SHEET NO.	OF SHEETS	STA.	TO STA.
-----------------	-----------	-----------	------	---------

F.A.U. RTE.	SECTION	COUNTY	TOTAL SHEETS	SHEET NO.
3759	04-00038-00-WR	WILL	165	78
CONTRACT NO. 63248				