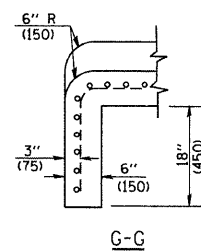
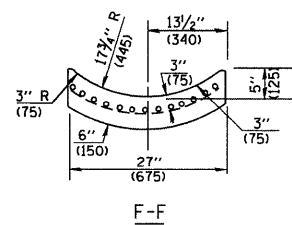
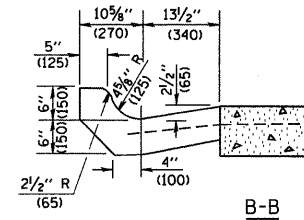
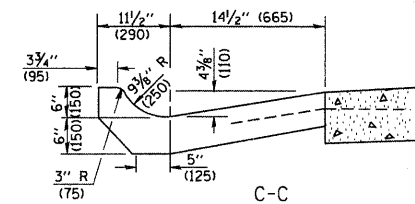
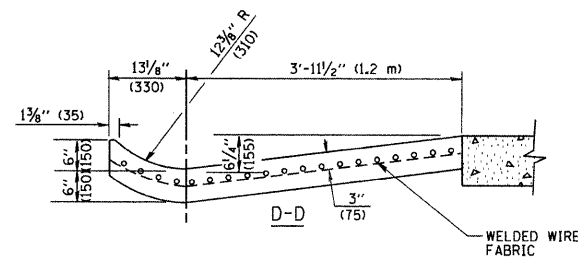
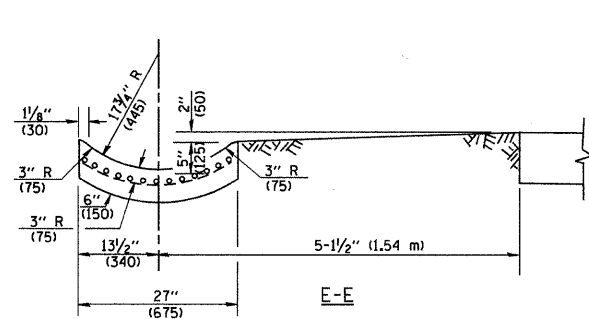


A-A *

* DIMENSIONS OF THE CURB & GUTTER AT SECTION A-A ARE SHOWN ON STATE STANDARD 606001. FOR DETAILS OF OUTLET FOR CONCRETE CURB & GUTTER, TYPE B-6.24 (B-15.60) SEE STATE STANDARD 606006.



GENERAL NOTES

GUTTER OUTLET SHALL BE TIED TO THE PAVEMENT IN ACCORDANCE WITH DETAILS FOR LONGITUDINAL CONSTRUCTION JOINT SHOWN ON STANDARD 420001.

TIE BARS SHALL BE NO. 20 (NO.6) AT 24" (600) CENTERS UNLESS OTHERWISE SHOWN.

IF THE AVERAGE GRADE OF PAVEMENT FOR THE DISTANCE FROM SECTION A-A TO D-D EXCEEDS 2%, THIS DISTANCE SHALL BE INCREASED 6' (1.8 m) FOR EACH 1% INCREASE IN GRADE.

QUANTITIES

FOR SECTION A-A TO E-E AND CURTAIN WALL =
 1.25 CU. YDS. (0.96 m³) CLASS S1 CONCRETE (OUTLET) FOR 9" (225) PAV'T.
 1.27 CU. YDS. (0.96 m³) CLASS S1 CONCRETE (OUTLET) FOR 10" (250) PAV'T.
 FOR SECTION F-F =
 0.045 CU. YDS. (0.03 m³) CLASS S1 CONCRETE PER FT. (m).

ALL DIMENSIONS ARE IN INCHES (MILLIMETERS) UNLESS OTHERWISE SHOWN.

FILE NAME = W:\distatd\22x34\bd83.dgn	USER NAME = geglanoht	DESIGNED - M. DE YONG	REVISED - R. SHAH 09-09-94	STATE OF ILLINOIS DEPARTMENT OF TRANSPORTATION	OUTLET FOR CONCRETE CURB AND GUTTER			F.A. RTE. = 3759	SECTION = 04-00038-00-WR	COUNTY = WILL	TOTAL SHEETS = 165	SHEET NO. = 81
	PLOT SCALE = 50,0000' / IN.	DRAWN -	REVISED - R. SHAH 10-25-94		SCALE: NONE	SHEET NO. 1 OF 1 SHEETS	STA. TO STA.	BD600-01 (BD-03) CONTRACT NO. 63248				
	PLOT DATE = 1/4/2008	CHECKED -	REVISED - E. GOMEZ 12-21-00		FED. ROAD DIST. NO. 1 ILLINOIS FED. AID PROJECT							
		DATE = 08-04-86	REVISED -									