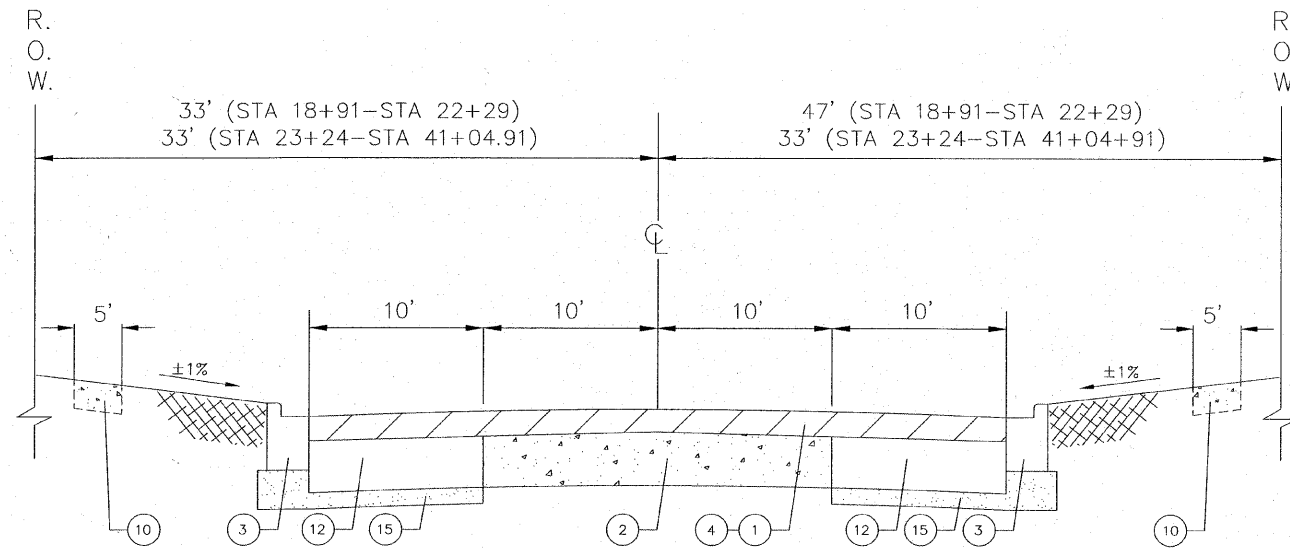
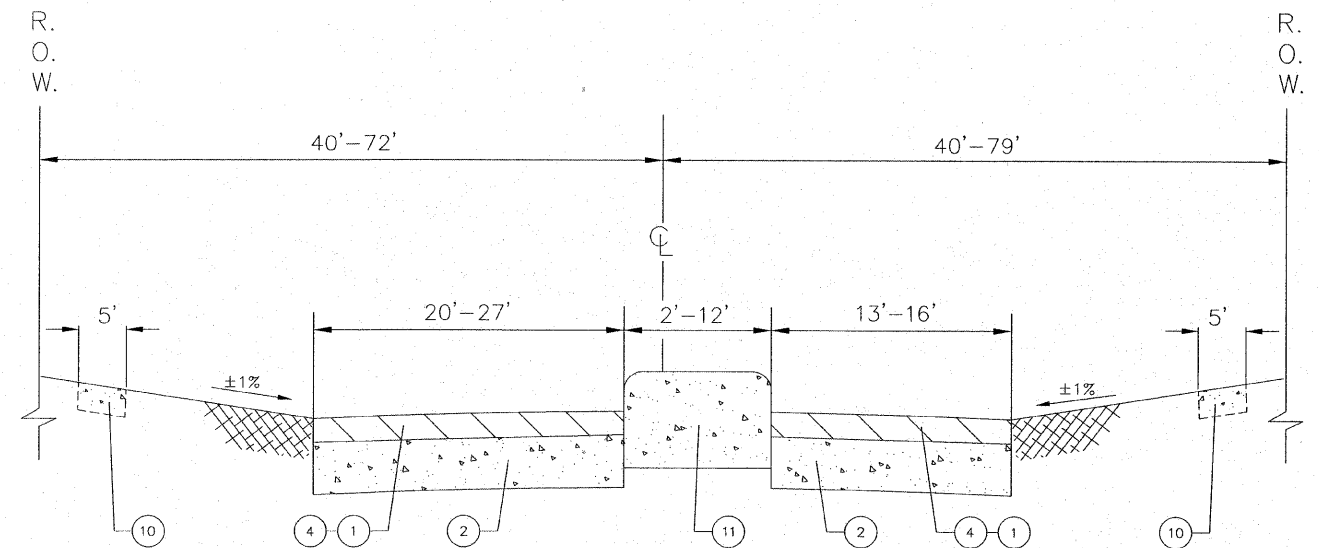


- 1 EX. HMA SURFACE, 4"
- 2 EX. CONCRETE BASE, 9"
- 3 EX. CURB & GUTTER, TY B6.24
- 4 PROPOSED HOT-MIX ASPHALT SURFACE REMOVAL, 4"
- 5 PROP. HOT-MIX ASPHALT SURF. CSE, MIX 'C', N50, 1 1/2"
- 6 PROP. HOT-MIX ASPHALT BINDER CSE, IL-19.0, N50, 2 1/2"
- 7 CLASS 'C' PATCHES, 9" (WHERE MARKED IN FIELD)
- 8 CLASS 'D' PATCHES, 9" (WHERE MARKED IN FIELD)
- 9 COMB. CURB & GUTTER REPLACEMENT (WHERE MARKED IN FIELD)
- 10 EXISTING P.C.C. SIDEWALK, 5"
- 11 EXISTING CONCRETE MEDIAN
- 12 EXISTING HMA BASE COURSE, 9"
- 13 PROPOSED P.C.C. SIDEWALK, 5"
- 14 AREA REFLECTIVE CRACK CONTROL TREATMENT
- 15 EXISTING SUB-BASE GRANULAR MATERIAL, 4"

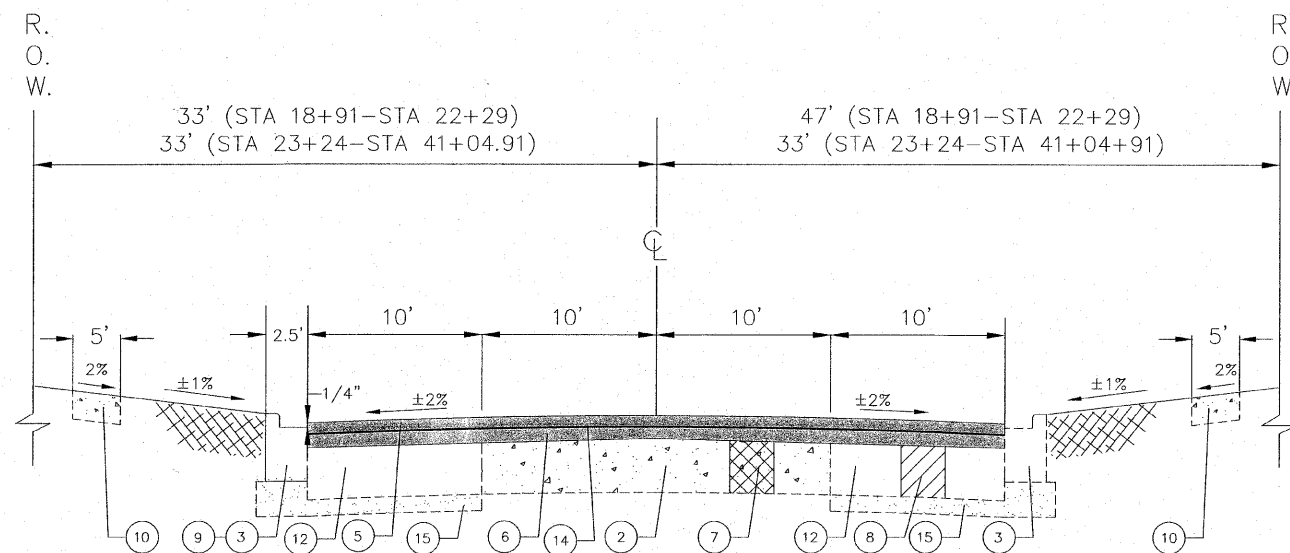
FAU RTE.	SECTION	COUNTY	TOTAL SHEETS	SHEET NO.
3598	09-00020-00-RS	COOK	13	4
STA. 14+16.89		TO STA. 41+04.91		
FED. ROAD DIST. NO. ILLINOIS		FED. AID PROJECT		
CONTRACT NO. 63365				



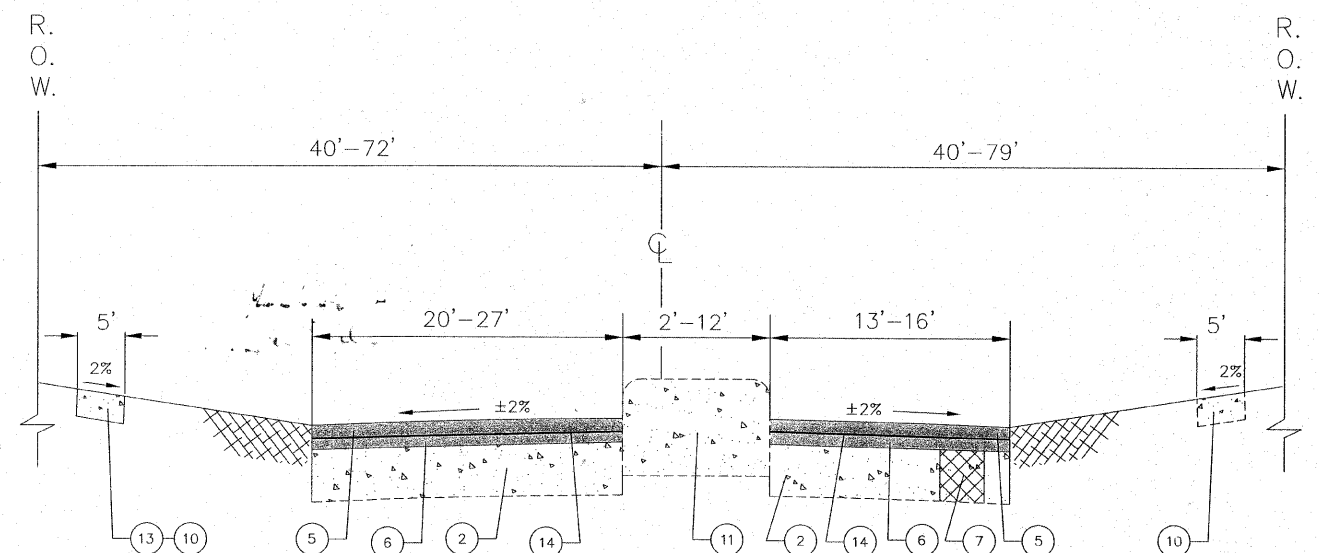
EXISTING CROSS-SECTION
STA 18+91 - STA 41+04.91



EXISTING CROSS-SECTION
STA 14+16.89 - STA 18+91



PROPOSED CROSS-SECTION
STA 18+91 - STA 41+04.91



PROPOSED CROSS-SECTION
STA 14+16.89 - STA 18+91

NOTE: CROSS-HATCHED
ITEMS ARE TO BE REMOVED

AKHRAS ASSOCIATES, INC.
 A DESIGN FIRM REGISTERED IN THE STATE OF ILLINOIS
 LICENSE NO. 184-000690
 9306 S. IDELL AVENUE - BRIDGEVIEW, IL 60455
 TEL. (708) 599-1101 - FAX. (708) 599-2898

REVISIONS		ILLINOIS DEPARTMENT OF TRANSPORTATION VILLAGE OF PHOENIX VINCENNES ROAD RESURFACING THORNTON RD. TO HALSTED ST.
NAME	DATE	
JMH PER DOT	10.01.09	TYPICAL CROSS SECTIONS
JMH PER REVIEW	11.17.09	
JMH REVISE SECTIONS	03.19.10	
SCALE: N.T.S.		DRAWN BY: JMH CHECKED BY: SAL
DATE: 09/15/09		