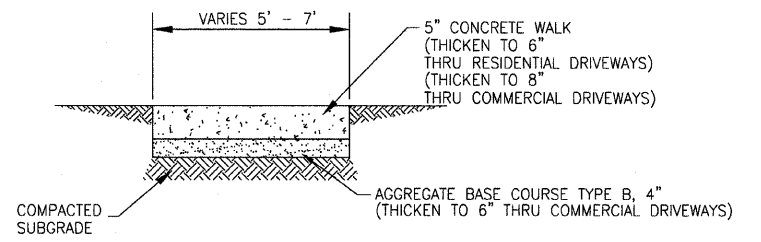


**SEGMENTAL BLOCK RETAINING WALL DETAIL**

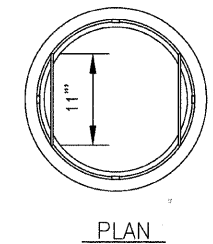
STA 35+10 TO STA 36+45 LT  
NO SCALE



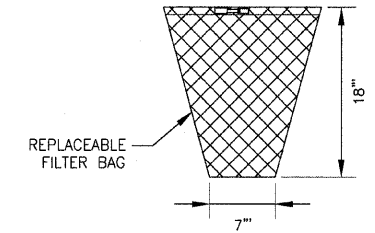
NOTE:  
PROVIDE FIBER 3/4" EXPANSION JOINTS WHERE NEW SIDEWALK MEETS EXISTING AND @ 50' O.C. MAX. AND PROVIDE CONTROL JOINTS @ 5' O.C.

**PORTLAND CEMENT CONCRETE SIDEWALK 5 INCH**

NO SCALE

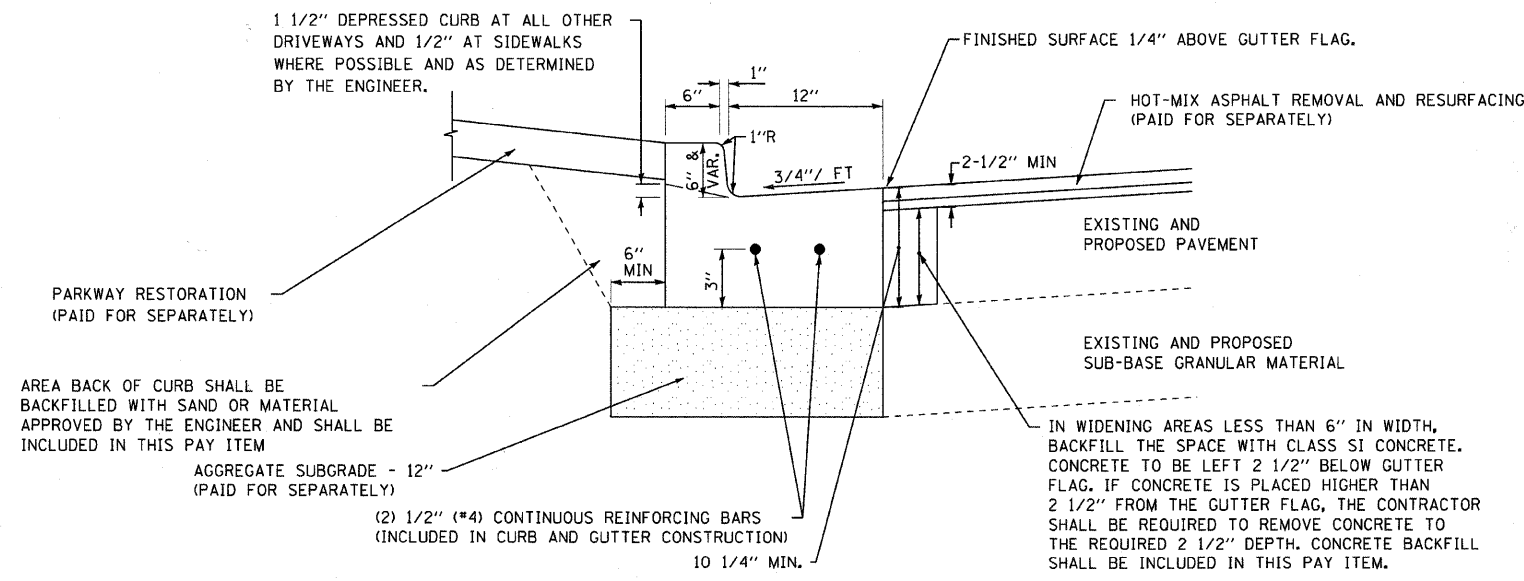


PLAN



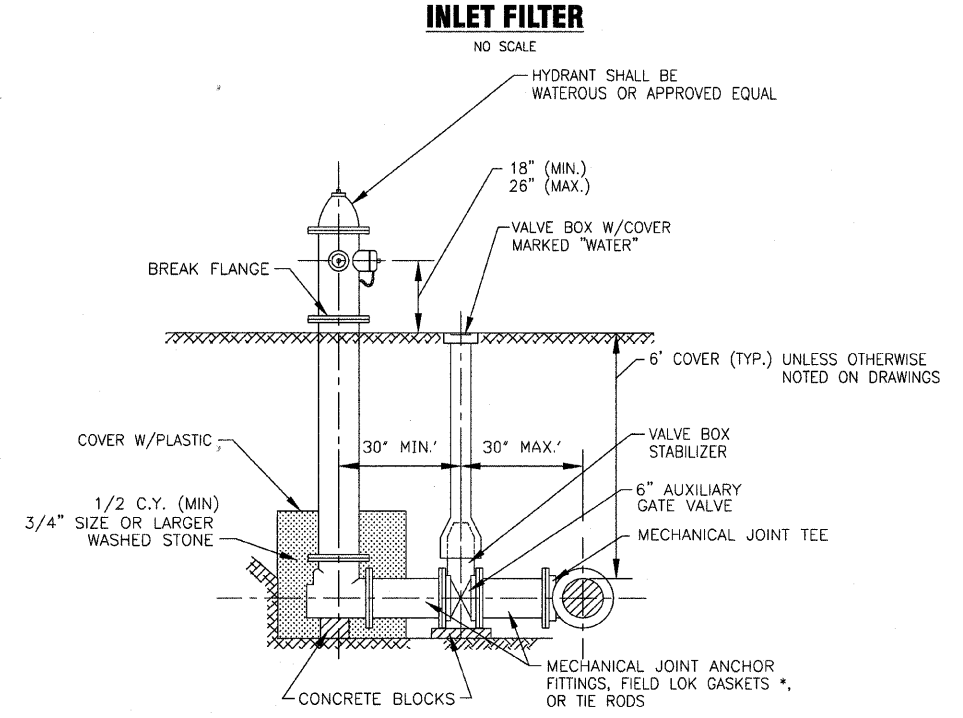
SECTION

GENERAL NOTES:  
FRAME: TOP RING CONSTRUCTED FROM 1 1/4" x 1 1/4" x 1/8" ANGLE. BASE RING CONSTRUCTED OF 1 1/2" x 1/2" x 1/8" CHANNEL. HANDLES & SUSPENSION BRACKETS CONSTRUCTED FROM 1/4" x 1 1/4" FLAT. ALL STEEL CONFORMING TO ASTM-A36.  
REPLACEABLE BAG: CONSTRUCTED FROM 4 OZ./SQ. YD. NON-WOVEN POLYPROPYLENE GEOTEXTILE REINFORCED WITH POLYESTER MESH. CONNECTED TO BASE RING WITH STAINLESS STEEL STRAP & LOCK.



**COMBINATION CONCRETE CURB AND GUTTER, TYPE B-6.12 (SPECIAL)**

NO SCALE



**FIRE HYDRANT INSTALLATION**

NO SCALE

F.A.U. 4051 THREE OAKS ROAD  
F.A.U. 4052 SILVER LAKE ROAD

COPYRIGHT © 2000 BY BAXTER & WOODMAN, INC.  
 STATE OF ILLINOIS - PROFESSIONAL DESIGN FIRM  
 LICENSE NO. - 084-00125 - EXPIRES 4/30/2011  
 5/17/2010  
 ...\\p01s\phase2\060197-P2-MIS-DETAILS.sht  
 ...\\p01s\phase2\060197-P2-MIS-DETAILS.sht  
 ...\\p01s\phase2\060197-P2-MIS-DETAILS.sht



DESIGNED - MWP/DSH	REVISED - 01-04-10 PER IDOT
DRAWN - MAC	REVISED - 03-17-10 PER IDOT
CHECKED - RWL	REVISED -
DATE - 03-01-10	FILE - 060197-P2-MIS-DETAILS.sht

**VILLAGE OF CARY, ILLINOIS  
THREE OAKS ROAD AND SILVER LAKE ROAD  
ARRA INTERSECTION IMPROVEMENTS**

SCALE: NONE		STA.	TO STA.
<b>MISCELLANEOUS DETAILS</b>			

F.A.U. RTE.	SECTION	COUNTY	TOTAL SHEETS	SHEET NO.
09-00058-00-CH		MCHENRY	53	36
C-91-511-10				CONTRACT NO. 63381
FED. ROAD DIST. NO. 1   ILLINOIS   FED. AID PROJECT ARA-90036351				