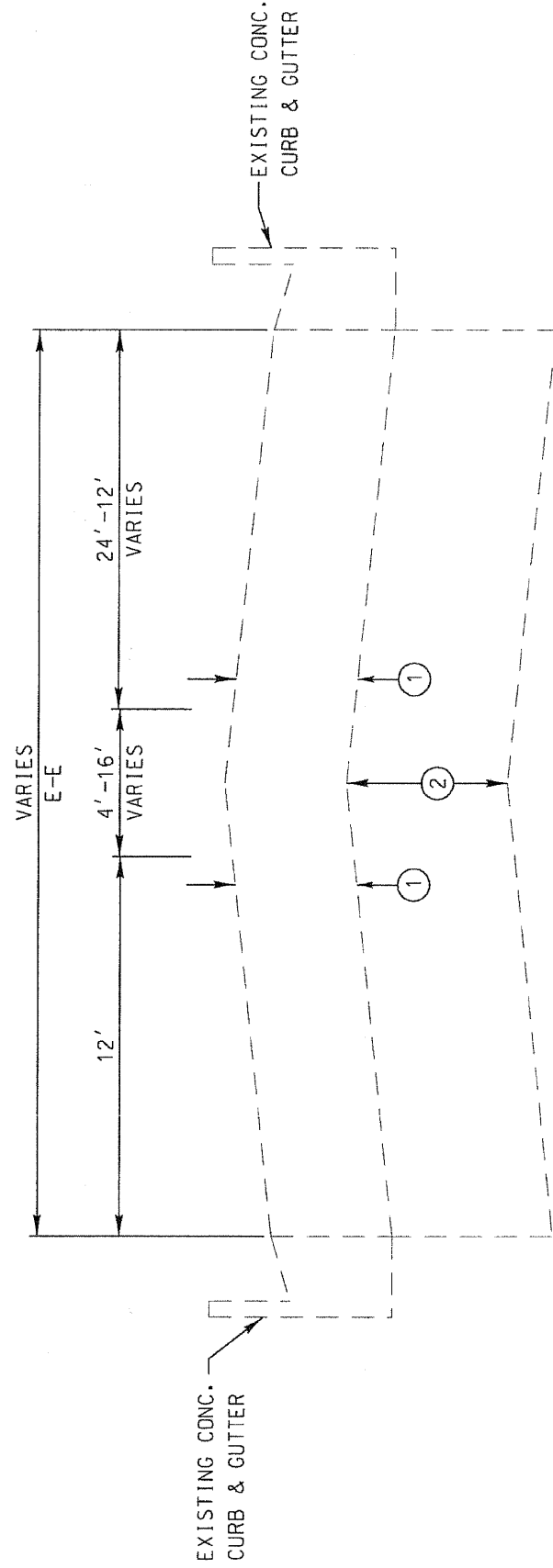


FAU RTE	SECTION	COUNTY	TOTAL SHEETS	SHEET NO.
191	08-00999-01-RS	LAKE	60	14
F.H.W.A. REG.	ILLINOIS	PROJECT	APA-9003(467)	
CONTRACT NO. 63407				

SCALE: 1" = 5' HORIZ.
1" = 25' VERT.

EXISTING PAVEMENT:
1. HMA PAVEMENT
2. AGGREGATE BASE



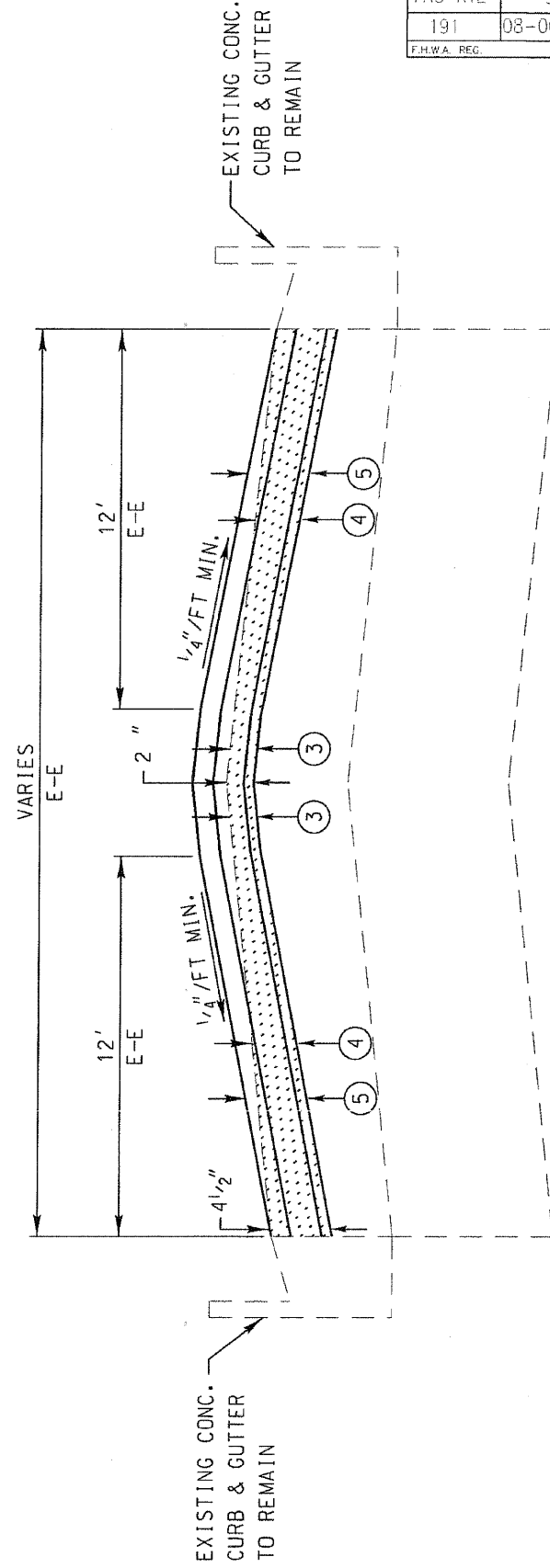
5+25 to 7+40
EXISTING TYPICAL SECTION

SCALE: 1" = 5' HORIZ.
1" = 25' VERT.

PROPOSED RESURFACING:

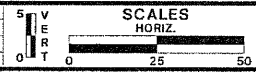
- 5. 1 1/2" HMA SURFACE COURSE, MIX "D", N70
- 2 1/4" HMA BINDER COURSE, IL-19.0, N70
- 3/4" POLYMERIZED LEVELING BINDER (MACHINE METHOD), IL-4.75, N50

- REMOVAL ITEMS:
- 3. HMA SURFACE REMOVAL, 2"
- 4. HMA SURFACE REMOVAL, VARIABLE DEPTH, 2" @ LANE LINE, 4 1/2" @ E/P



5+25 to 7+40
PROPOSED TYPICAL SECTION

REVISIONS / REMARKS		DATE	BY	SURVEYOR
NO.	DESCRIPTION			
1	PER LCDOT REVIEW COMMENTS	10/06/09	EB	DSCHR/LIAISON
				PLOTTED BY: BUSRNE S/DAT/EPF



FAIRFIELD ROAD
RESURFACING 2009



TYPICAL SECTIONS

STA. TO

ROUTE	SECTION	SECTION NUMBER	SHEET	SHEETS
CH49	113	08-00999-01-RS	14	60