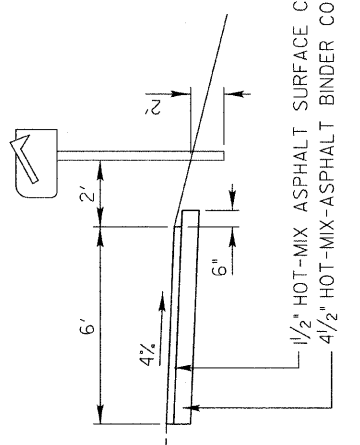


**DESIGN NOTES:**

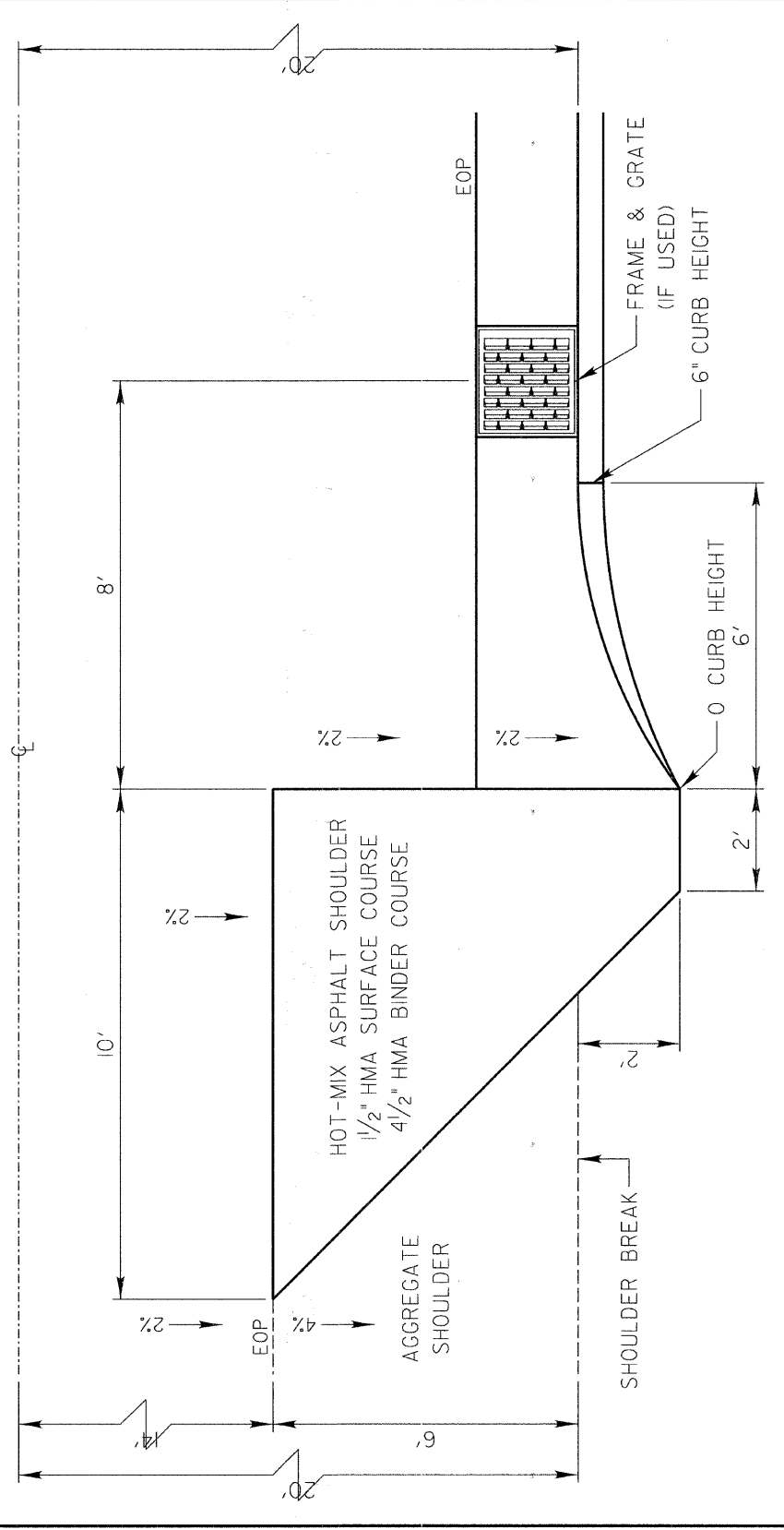
- The Resident Engineer shall contact the local postmaster prior to installing the new mailbox posts for the local mounting height of the mailbox. The standard mounting height is 3 1/2'; however, local post- masters may vary this height.
- The standard mailbox post is a 4"x4" or a 4 1/2" dia. treated wood post.
- The standard bury length of the post is 2'. Do not shorten or exceed this bury length.
- Depending on the location of the shoulder break with respect to the edge of the mailbox turnout the overall post length may vary from 5'8" to 6'4" to maintain the 2' bury length and the 3 1/2' mounting height.



SECTION A-A  
SCALE: 1" = 5'

1/2" HOT-MIX ASPHALT SURFACE COURSE, MIX "D", N70  
4 1/2" HOT-MIX- ASPHALT BINDER COURSE, IL-19.0, N70

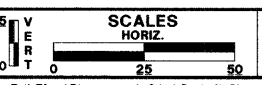
<b>Lake County</b> Division of Transportation		<b>APPROVED BY:</b> M. G. ZEMAITIS <b>DATE:</b> APRIL 1, 2007
<b>LC4120</b> <b>MAILBOX TURNOUT</b> <b>ALONG UNCURBED ROADS</b>		REVISIONS / DATE



<b>Lake County</b> Division of Transportation		<b>APPROVED BY:</b> M. G. ZEMAITIS <b>DATE:</b> APRIL 1, 2007
<b>LC4802</b> <b>TRANSITION FROM AGGREGATE SHOULDER TO B-6.24 FOR 20' OFFSET TO FACE</b>		REVISIONS / DATE

SCALE: 1" = 3'

NO.	DESCRIPTION	DATE	BY	SURVEYOR:	DSGNER/LIAISON:	PLOTTED BY:
FILE NAME: Y:\dgn\2009 Resur.Facing (Consultant Job)\Fairfield Rd - IL Rte 176 to Old McHenry Rd\FinalPlans and Qty\Detail-Sheet 7.dgn						



**FAIRFIELD ROAD RESURFACING 2009**



**FAIRFIELD RD. RESURFACING**

ROUTE	SECTION	SECTION NUMBER	SHEET	SHEETS
CH 49	113	08-00999-01-RS	59	60