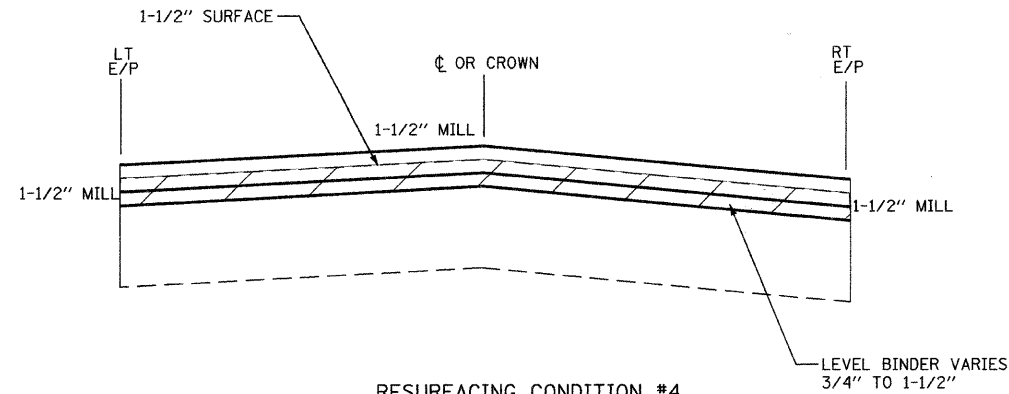
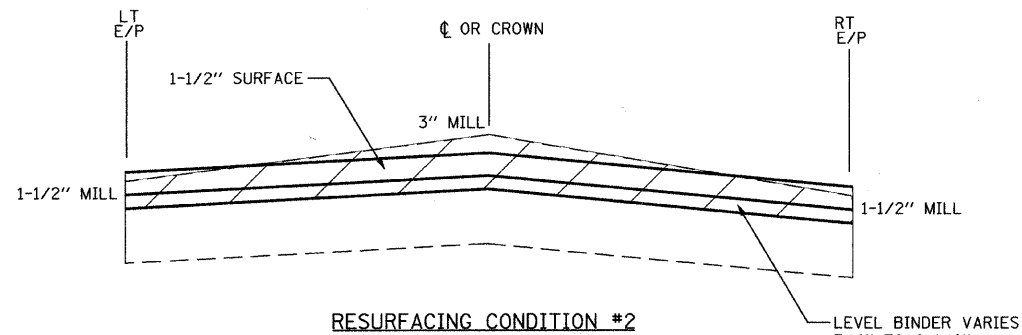


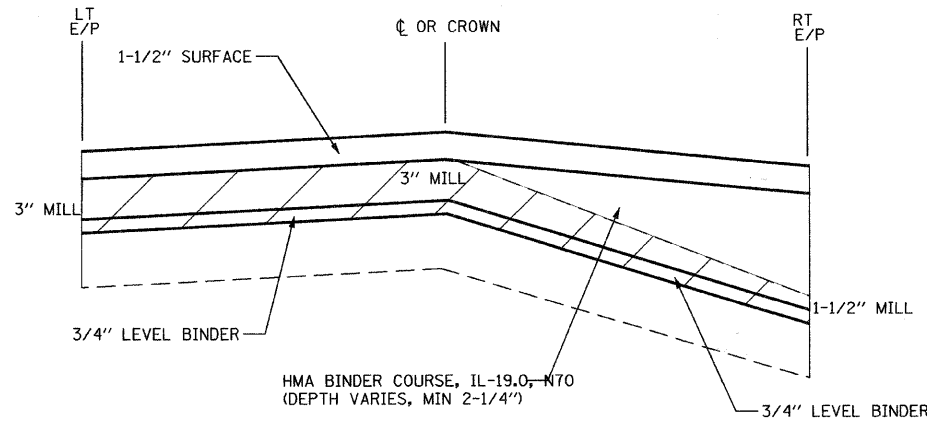
- RESURFACING CONDITION #1**
 PROP CROWN ELEV BETWEEN 1" BELOW AND 3/4" ABOVE EXIST CROWN ELEV
1. EXISTING CROWN SLOPE SIMILAR TO PROPOSED
 2. MILL 3" ACROSS SECTION
 2. LEVEL BINDER VARIES 3/4" TO 2-1/4"
 3. HMA SURFACE COURSE, MIX "D", N70



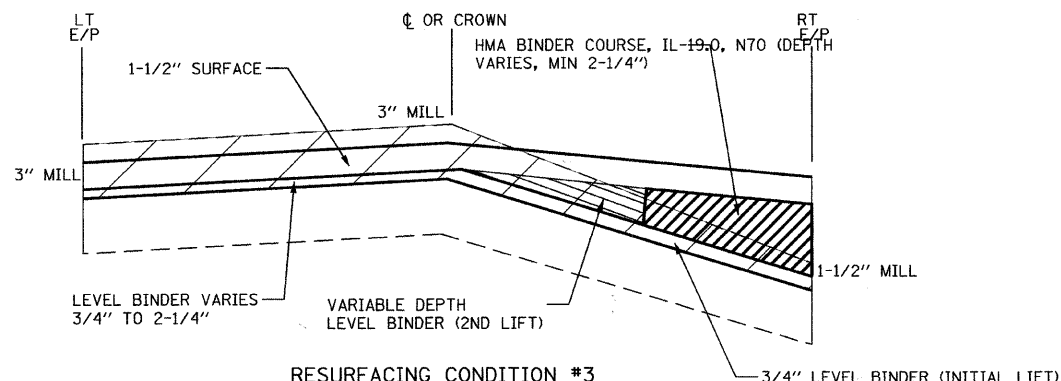
- RESURFACING CONDITION #4**
 PROP CROWN ELEV BETWEEN 3/4" ABOVE AND 1-1/2" ABOVE EXIST CROWN ELEV
1. MILL 1-1/2" ACROSS SECTION
 2. LEVEL BINDER VARIES 3/4" TO 1-1/2"
 3. HMA SURFACE COURSE, MIX "D", N70



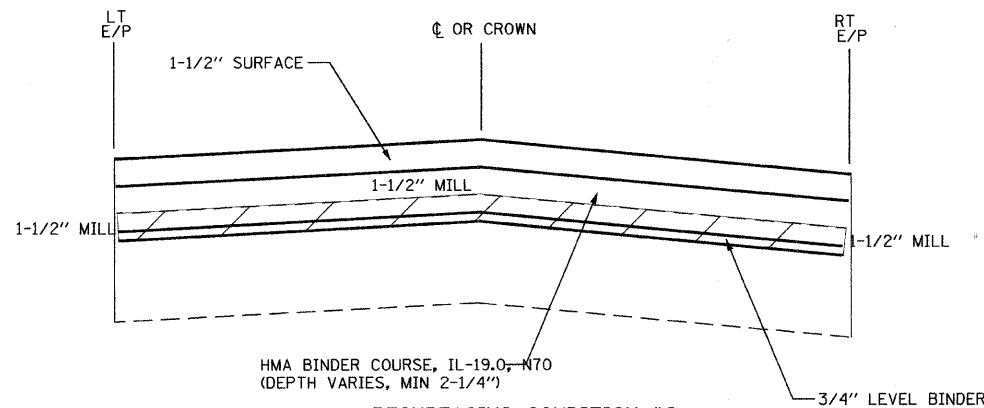
- RESURFACING CONDITION #2**
 PROP CROWN ELEV BETWEEN 1" BELOW AND 3/4" ABOVE EXIST CROWN ELEV
1. EXISTING CROSS SLOPES STEEPER THAN PROPOSED
 2. MILL 3" AT CROWN AND 1-1/2" AT E/P
 3. LEVEL BINDER VARIES 3/4" TO 2-1/4"
 4. HMA SURFACE COURSE, MIX "D", N70



- RESURFACING CONDITION #5**
 PROP CROWN ELEV BETWEEN 1-1/2" ABOVE AND 3" ABOVE EXIST CROWN ELEV
1. MILL 3" AT CROWN AND 1-1/2" AT E/P
 2. LEVEL BINDER 3/4" ACROSS SECTION
 3. HMA BINDER COURSE, IL-19.0, N70 MIN 2-1/4"
 4. HMA SURFACE COURSE, MIX "D", N70



- RESURFACING CONDITION #3**
 PROP CROWN ELEV BETWEEN 1" BELOW AND 3/4" ABOVE EXIST CROWN ELEV
1. EXISTING CROSS SLOPES STEEPER THAN PROPOSED (CONSTRUCT BINDER)
 2. MILL 3" AT CROWN AND 1-1/2" AT E/P
 3. LEVEL BINDER VARIES 3/4" TO 2-1/4" (LT OR RT)
 4. LEVEL BINDER 3/4" INITIAL LIFT (LT OR RT)
 5. HMA BINDER COURSE, IL-19.0, N70 MIN 2-1/4" (LT OR RT)
 6. SECOND LEVEL BINDER LIFT TO MATCH HMA BINDER COURSE, IL-19.0, N70
 7. HMA SURFACE COURSE, MIX "D", N70



- RESURFACING CONDITION #6**
 PROP CROWN ELEV 3" OR HIGHER THAN EXIST CROWN ELEV
1. MILL 1-1/2" ACROSS SECTION
 2. LEVEL BINDER 3/4" ACROSS SECTION
 3. HMA BINDER COURSE, IL-19.0, N70 MIN 2-1/4"
 4. HMA SURFACE COURSE, MIX "D", N70

NOTES:

1. MIN MILL DEPTH = 1-1/2" (TO REMOVE EXIST SURFACE COURSE)
2. MAX MILL DEPTH = 3"
3. MIN BINDER DEPTH = 2-1/4"
4. SURFACE DEPTH = 1-1/2"

FILE NAME =	USER NAME = #USER#	DESIGNED - CEC	REVISED -
#FILE#		DRAWN - CEC	REVISED -
	PLOT SCALE = #SCALE#	CHECKED - DWB	REVISED -
	PLOT DATE = #DATE#	DATE - 04/09/2010	REVISED -

F.A.U. RTE.	SECTION	COUNTY	TOTAL SHEETS	SHEET NO.
2865	08-00250-02-PV	COOK	79	41
CONTRACT NO. 63417				
FED. ROAD DIST. NO. ILLINOIS FED. AID PROJECT				