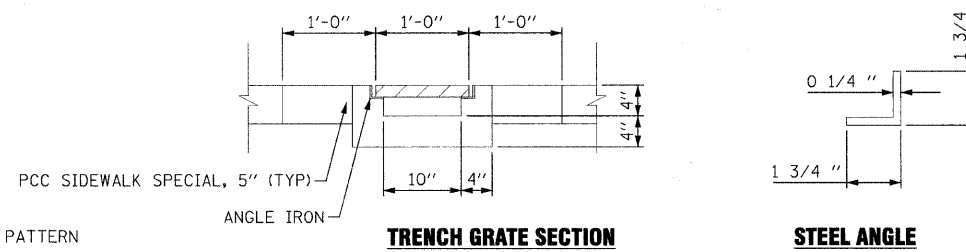
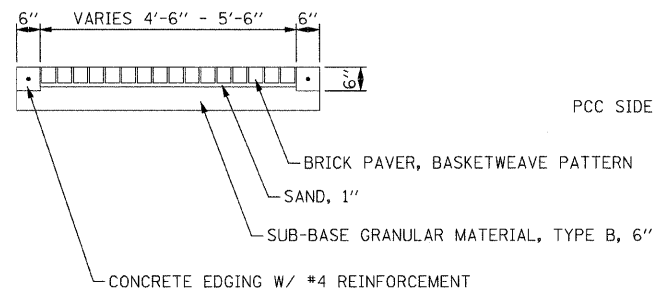


**TRENCH GRATE PLAN**

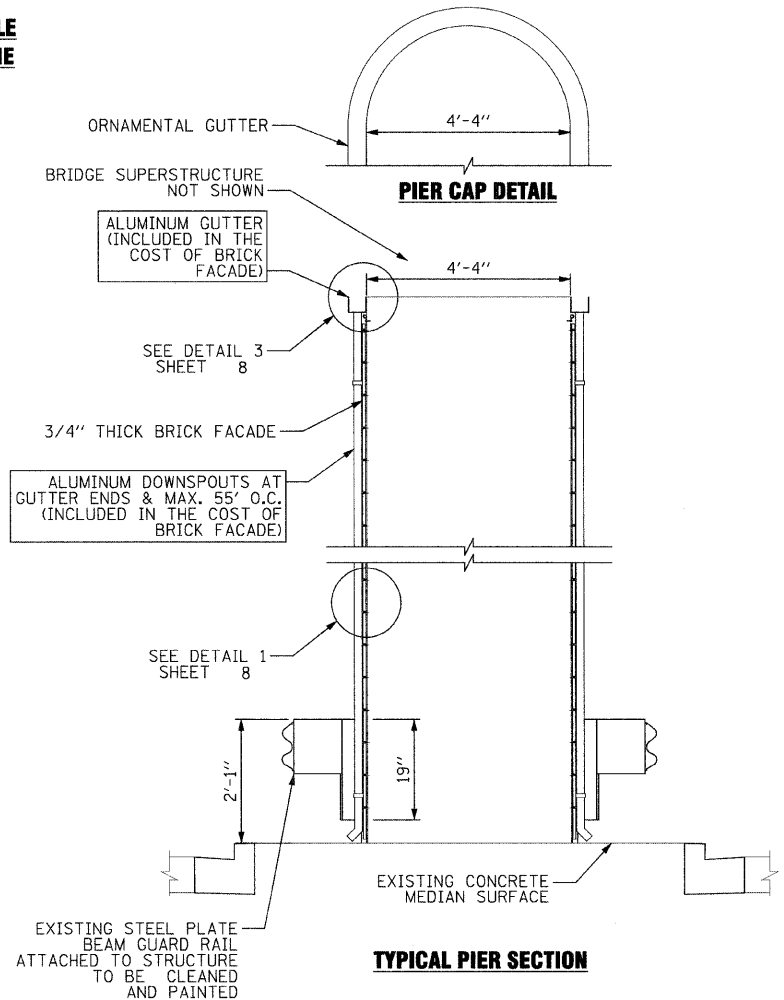


**TRENCH GRATE SECTION**

**STEEL ANGLE IRON FRAME**

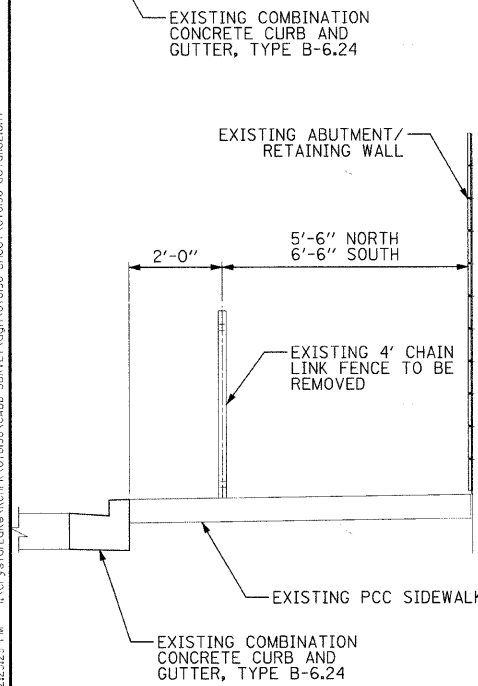
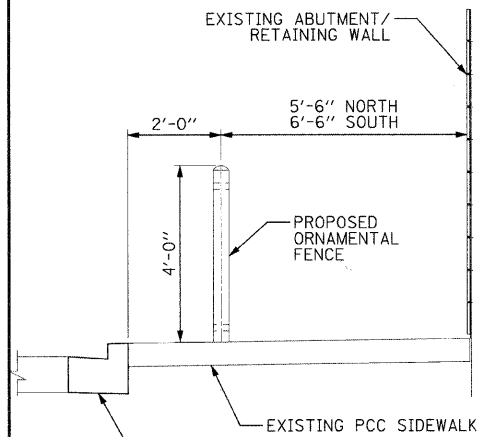


**BRICK PAVER SIDEWALK DETAIL**

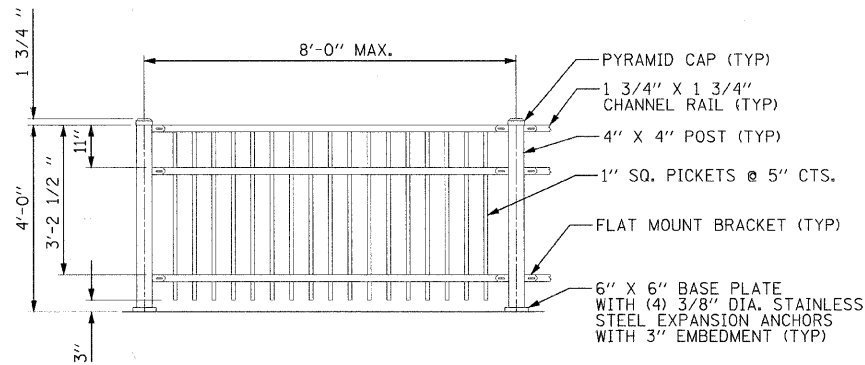


**PIER CAP DETAIL**

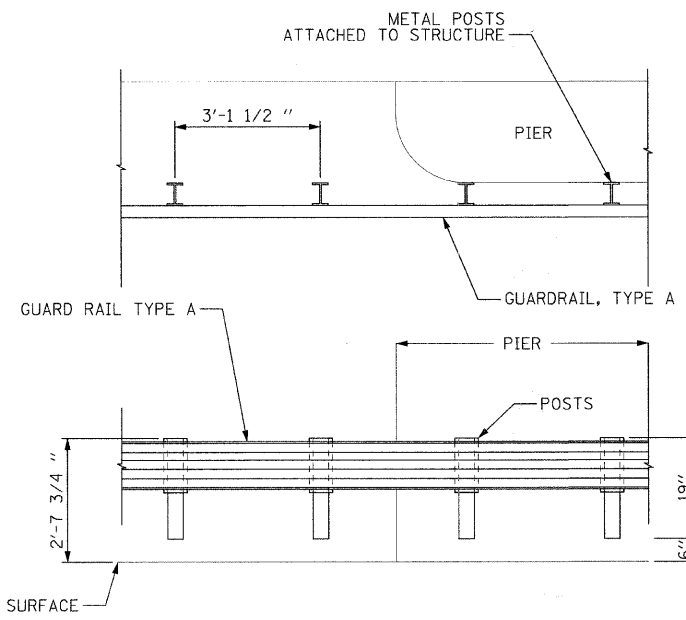
**TYPICAL PIER SECTION**



**FENCE REPLACEMENT DETAILS**



**ORNAMENTAL FENCE**



**STEEL PLATE BEAM GUARD RAIL ATTACHED TO STRUCTURE**

COPYRIGHT © 2008 BY BAXTER & WOODMAN, INC.  
 STATE OF ILLINOIS - PROFESSIONAL DESIGN FIRM  
 LICENSE NO. - 084-00021, EXPIRES 7/30/2009  
 PROJECT NO. 06-00041-00-LS  
 SHEET NO. 9 OF 11



DESIGNED -	AS	REVISED -	
DRAWN -	KAR	REVISED -	
CHECKED -	TMS	REVISED -	
DATE -	12-08-08	REVISED -	

**VILLAGE OF RICHTON PARK, ILLINOIS  
 FAU ROUTE 1632 (SAUK TRAIL)  
 STREETScape**

**PIER, FENCE AND SIDEWALK DETAILS**

SCALE: NONE STA. TO STA.

F.A.U. RTE.	SECTION	COUNTY	TOTAL SHEETS	SHEET NO.
1632	06-00041-00-LS	COOK	11	9
CONTRACT NO. 63447				
FED. ROAD DIST. NO. ILLINOIS FED. AID PROJECT				