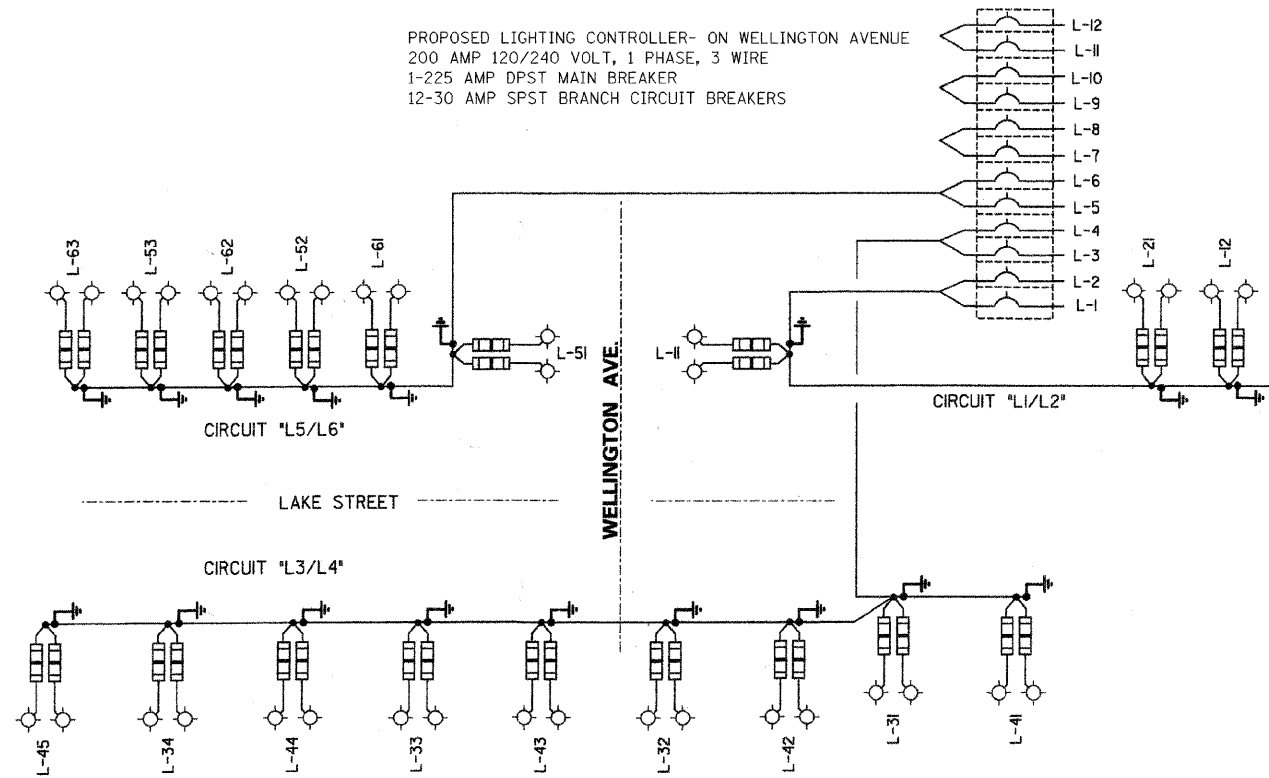
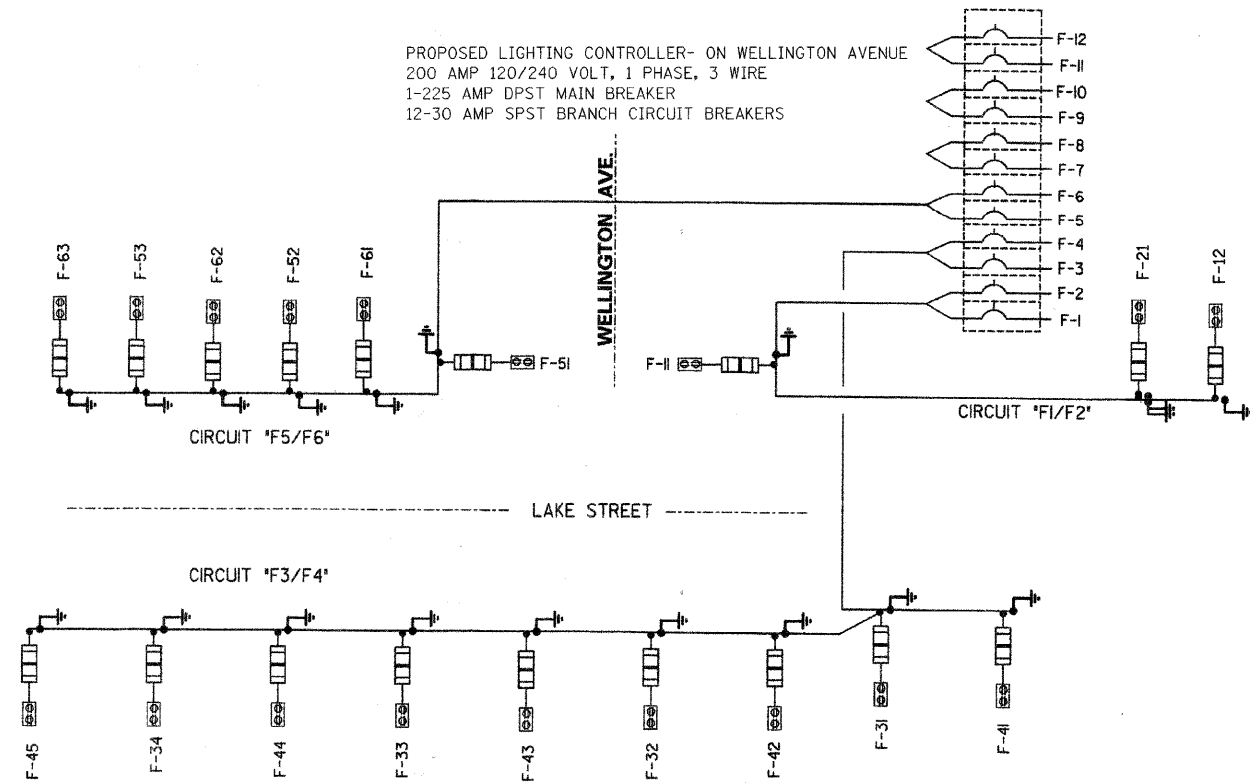


PROPOSED LIGHTING CONTROLLER- ON WELLINGTON AVENUE  
 200 AMP 120/240 VOLT, 1 PHASE, 3 WIRE  
 1-225 AMP DPST MAIN BREAKER  
 12-30 AMP SPST BRANCH CIRCUIT BREAKERS



**LIGHTING CIRCUITS**

PROPOSED LIGHTING CONTROLLER- ON WELLINGTON AVENUE  
 200 AMP 120/240 VOLT, 1 PHASE, 3 WIRE  
 1-225 AMP DPST MAIN BREAKER  
 12-30 AMP SPST BRANCH CIRCUIT BREAKERS



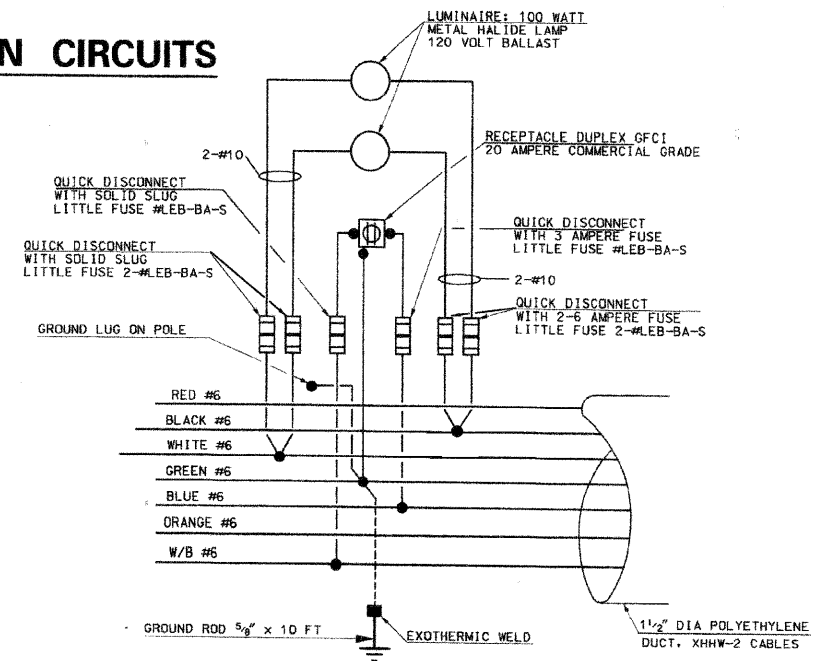
**FESTOON CIRCUITS**

**SINGLE LINE LEGEND**

- LUMINAIRE, 100W METAL HALIDE LAMP
- RECEPTACLE GFCI 20 AMP
- QUICK DISCONNECT FUSE  
2-6 AMP FUSE FOR LUMINAIRE  
1-3 AMP FUSE FOR RECEPTACLE
- CIRCUIT BREAKER SPST
- UNIT DUCT WITH 7-1/8" NO.6,  
600 V (XHHW-2) 1/2" POLYETHYLENE
- CONNECTION
- GROUND ROD

**ELECTRICAL LOAD**  
 200 AMP 120/240 VOLT, 1 PHASE

CIRCUIT	LIGHTING @ 120 V		CIRCUIT		BLK		FESTOON @ 20 V		CIRCUIT		ORANGE	
	AMP	WATTS	AMP	WATTS	AMP	WATTS	AMP	WATTS	AMP	WATTS	AMP	WATTS
L1	4	488	L2	2	244	F1	6	720	F2	3	360	
L3	8	976	L4	10	1,220	F3	12	1,440	F4	15	1,800	
L5	6	732	L6	6	732	F5	9	1,080	F6	9	1,080	
L7			L8			F7			F8			
L9			L10			F9			F10			
L11			L12			F11			F12			
<b>TOTAL</b>	<b>18</b>	<b>2,196</b>	<b>18</b>	<b>2,196</b>	<b>27</b>	<b>3,240</b>	<b>27</b>	<b>3,240</b>				



**SINGLE POLE WIRING**

**VILLAGE OF MUNDELEIN**

**ONE LINE CIRCUIT DIAGRAM CONTROLLER AT WELLINGTON AVENUE  
 U.S. ROUTE 45 (LAKE STREET)**

F.A. RTE.	SECTION	COUNTY	TOTAL SHEETS	SHEET NO.
	09-00089-00-LS	LAKE	13	9
CONTRACT NO. 63448				
FED. ROAD DIST. NO. ILLINOIS FED. AID PROJECT				

SCALE: NTS SHEET NO. 1 OF 1 SHEETS STA. 121+05 TO STA. 126+25

COMPANY NAME: Smith  
 PROJECT CONTACT: Smith  
 CLIENT: Village of Mundelein  
 FILE NAME: 080511.L17-03.dgn  
 PLOT DRIVER: pdfplotter  
 PEN TABLE: standard-trans.tbl

**SEC Group, Inc.**  
 An HR Green Company  
 401 N. First Street  
 Mundelein, IL 60060-2136  
 815.361.1774 • 815.361.1781  
 www.secgroup.com  
 4800 W. 110th St., Suite 1000, Chicago, IL 60648

USER NAME = charlka	DESIGNED - JP	REVISED -
PLOT SCALE = NTS	DRAWN - SP	REVISED -
PLOT DATE = 2/11/2010	CHECKED - TH	REVISED -
	DATE - 2/11/10	REVISED -

63448  
 080511.L17-03.dgn