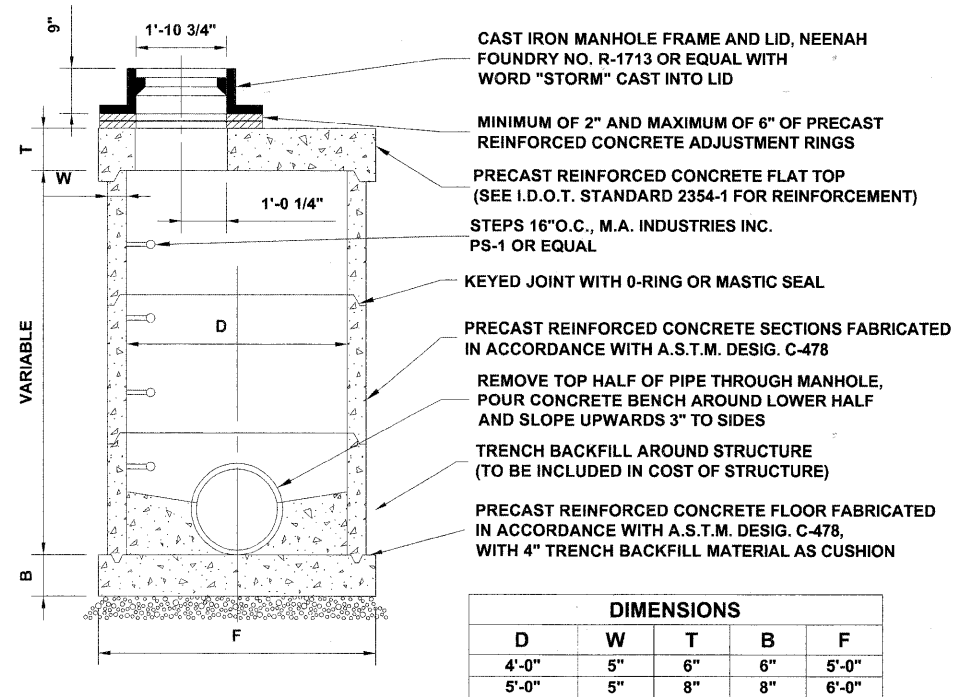


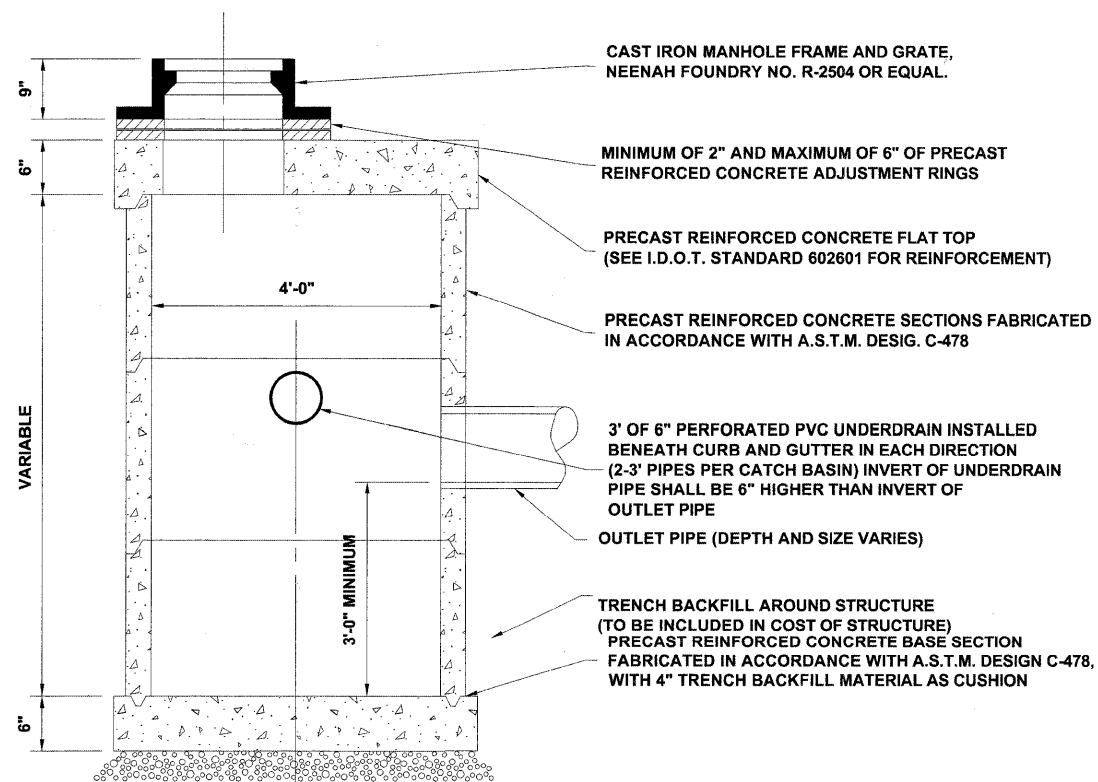
PIPE UNDERDRAIN DETAIL

- NOTES :**
1. IN ADDITION TO THE REQUIREMENTS OF ARTICLE 601.01 OF THE STANDARD SPECIFICATIONS, THE PIPE UNDERDRAINS, PERFORATED PVC PIPE 6" SHALL INCLUDE THE COST FOR FURNISHING AND PLACING THE REQUIRED BEDDING AND BACKFILL MATERIAL, FABRIC ENVELOPE, AND THE COST FOR MATERIALS.
 2. PIPE UNDERDRAINS TO BE INSTALLED ON ALL PROPOSED INLETS AND CATCH BASINS. THE PROPOSED STORM SEWER DISCHARGES INTO THE DES PLAINS RIVER.
 3. PIPE UNDERDRAINS SHALL NOT BE INSTALLED ON ANY STRUCTURE THAT IS CONNECTED DIRECTLY OR INDIRECTLY TO THE COMBINED SEWER SYSTEM.

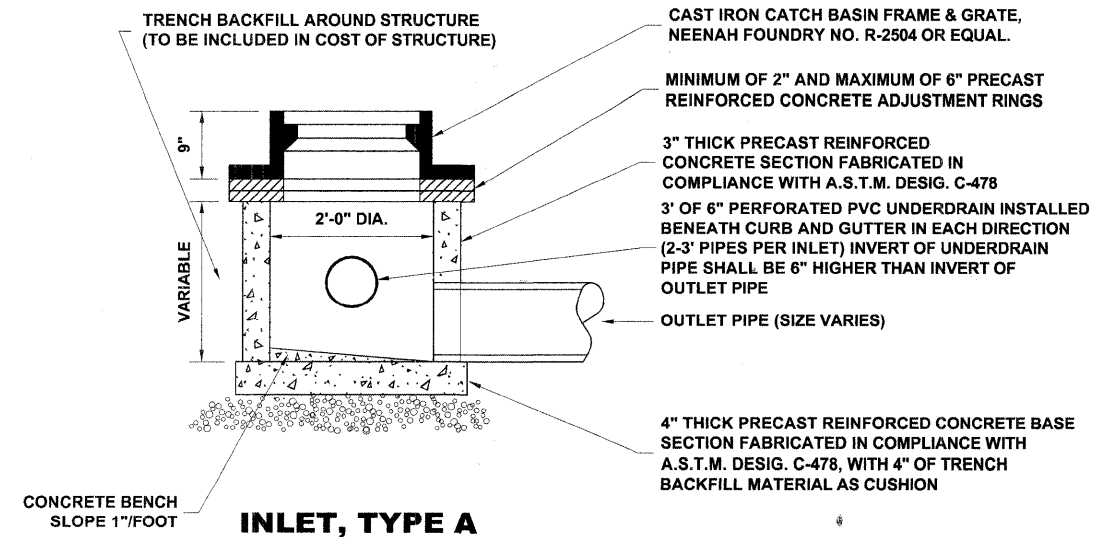


DIMENSIONS				
D	W	T	B	F
4'-0"	5"	6"	6"	5'-0"
5'-0"	5"	8"	8"	6'-0"

RESTRICTED DEPTH MANHOLE



RESTRICTED DEPTH CATCH BASIN



INLET, TYPE A

Drawing File: W:\Projects\60009001 - Broadway Ave Reconstruction\DETAILS.dwg Apr 19, 2010 - 11:16am



9933 Roosevelt Road
Mundelein, Illinois 60060-1790
Phone: 708.366.6300
Fax: 708.366.1212

USER NAME -	DESIGNED - WOP	REVISED -
PLOT SCALE -	DRAWN - MK/LEV/DMM	REVISED -
PLOT DATE -	CHECKED - WOP	REVISED -
	DATE - 3-29-10	REVISED -

**STATE OF ILLINOIS
DEPARTMENT OF TRANSPORTATION**

DRAINAGE AND UTILITIES DETAILS

SCALE: NONE SHEET NO. 1 OF 2 SHEETS STA. TO STA.

ROUTE NO.	SECTION	COUNTY	TOTAL SHEETS	SHEET NO.
2406	09-00114-00-FP	COOK	33	20
FIELD BOOK NO. 1588/AERIALS/LL			CONTRACT NO. 63455	
FED. ROAD DIST. NO. 1 ILLINOIS FED. AID PROJECT ARA-M-9003 (516)				

E.H.E. PROJECT NO. 600-09-00101