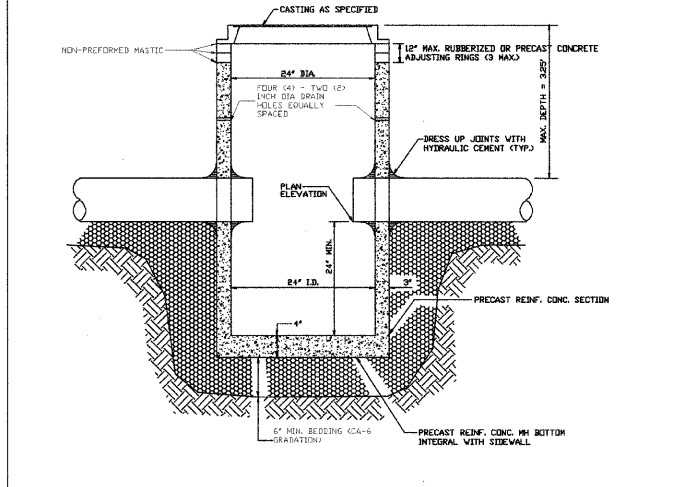


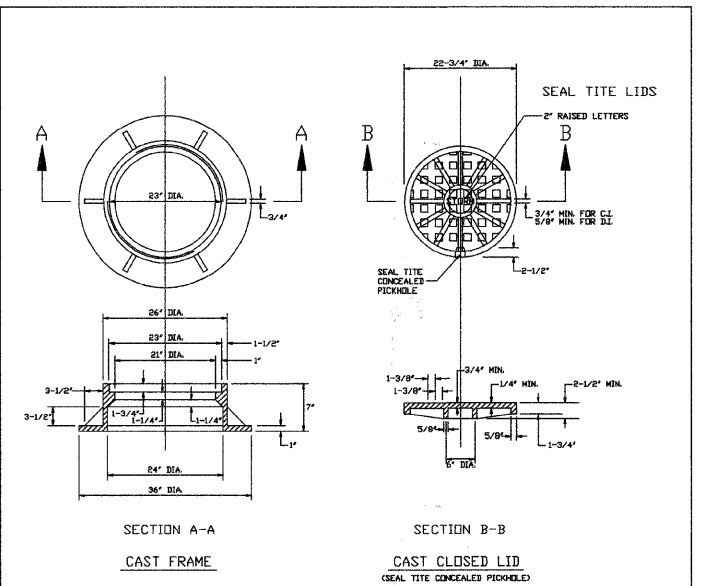
- GENERAL NOTES:**
1. PROVIDE PRECAST REINFORCED CONCRETE BARREL AND RISER SECTION. CONCRETE BLOCK CONSTRUCTION IS NOT PERMITTED.
  2. PROVIDE GRANULAR BACKFILL AROUND INLET TO SUBGRADE ELEVATION IN PAVED AREAS. MATERIAL SHALL MEET THE REQUIREMENTS OF IDOT "STANDARD SPECIFICATIONS FOR ROAD AND BRIDGE CONSTRUCTION" FOR COARSE AGGREGATE (CA-6 GRADATION).
  3. WHEN THE FRAME DOES NOT MEET PROPOSED ELEVATION, A MINIMUM OF TWO TAPERED RUBBERIZED ADJUSTING RINGS SHALL BE USED FOR FINAL ADJUSTMENT. ONE CONCRETE RING NOT LESS THAN TWO INCHES THICK MAY ALSO BE USED. A MAXIMUM OF THREE ADJUSTING RINGS MAY BE USED TO A MAXIMUM HEIGHT OF 12 INCHES. EACH RING AND THE FRAME SHALL BE SET IN A BED OF NON-PREFORMED MASTIC.
  4. PRECAST ADJUSTING RINGS SHALL BE REINFORCED WITH NO. 3 GAUGE WIRE OR EQUIVALENT AND SHALL HAVE A MINIMUM THICKNESS OF TWO INCHES.
  5. WITHIN NON-PAVED AREAS, MORTAR SHALL ONLY BE USED TO DRESS UP ADJUSTING RINGS AND/OR FRAME ON THE EXTERIOR OF THE STRUCTURE. MORTAR IS NOT PERMITTED ON THE INSIDE OF THE RINGS AND/OR FRAME.
  6. IN PAVED AREAS, DRAIN HOLES/VEEP HOLES SHALL BE COVERED WITH FILTER FABRIC. FILTER FABRIC SHALL BE SECURED TO THE OUTSIDE OF STRUCTURE PRIOR TO BACKFILL.
  7. IN GRASSED AREAS, DRAIN HOLES/VEEP HOLES SHALL BE PLUGGED WITH HYDRAULIC CEMENT.
  8. IF AN IDOT TYPE B GRATE CASTING IS CALLED OUT, THE FRAME SHALL BE SET IN A BED OF PREFORMED MASTIC.

REV.:	ERH	REV. 01-06-09		VILLAGE OF LOMBARD
REV.:	ERH	REV. 03-14-99		STORM 2
DRAWN BY: V.JGL		DATE: 2-16-98		



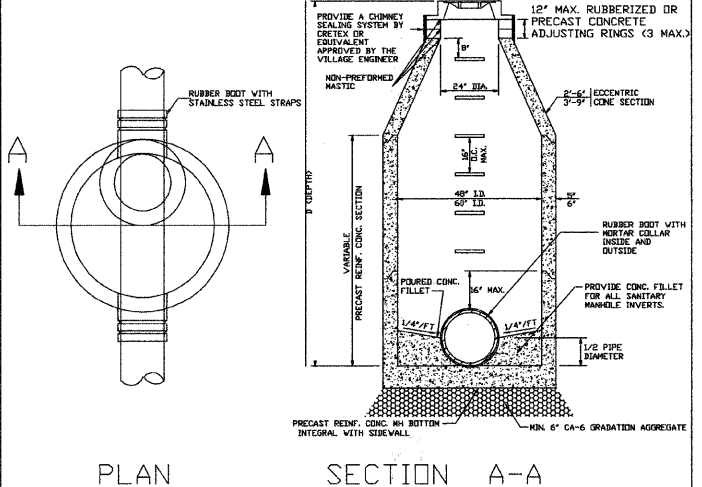
- GENERAL NOTES:**
1. PROVIDE PRECAST REINFORCED CONCRETE BARREL AND RISER SECTION. CONCRETE BLOCK CONSTRUCTION IS NOT PERMITTED.
  2. PROVIDE GRANULAR BACKFILL AROUND CATCH BASIN TO SUBGRADE ELEVATION IN PAVED AREAS. MATERIAL SHALL MEET THE REQUIREMENTS OF IDOT "STANDARD SPECIFICATIONS FOR ROAD AND BRIDGE CONSTRUCTION" FOR COARSE AGGREGATE (CA-6 GRADATION).
  3. WHEN THE FRAME DOES NOT MEET PROPOSED ELEVATION, A MINIMUM OF TWO TAPERED RUBBERIZED ADJUSTING RINGS SHALL BE USED FOR FINAL ADJUSTMENT. ONE CONCRETE RING NOT LESS THAN TWO INCHES THICK MAY ALSO BE USED. A MAXIMUM OF THREE ADJUSTING RINGS MAY BE USED TO A MAXIMUM HEIGHT OF 12 INCHES. EACH RING AND THE FRAME SHALL BE SET ON A BED OF NON-PREFORMED MASTIC.
  4. PRECAST ADJUSTING RINGS SHALL BE REINFORCED WITH NO. 3 GAUGE WIRE OR EQUIVALENT AND SHALL HAVE A MINIMUM THICKNESS OF TWO INCHES.
  5. MORTAR SHALL NOT BE USED TO DRESS UP ADJUSTING RINGS AND/OR FRAME.
  6. DRESS UP INTERIOR JOINTS WITH HYDRAULIC CEMENT.
  7. IN PAVED AREAS, DRAIN HOLES/VEEP HOLES SHALL BE COVERED WITH FILTER FABRIC. FILTER FABRIC SHALL BE SECURED TO THE OUTSIDE OF STRUCTURE PRIOR TO BACKFILL.
  8. IN GRASSED AREAS, DRAIN HOLES/VEEP HOLES SHALL BE PLUGGED WITH HYDRAULIC CEMENT.

REV.:	ERH	REV. 01-06-09		VILLAGE OF LOMBARD
REV.:	ERH	REV. 03-14-99		STORM 4
DRAWN BY: V.JGL		DATE: 2-16-98		



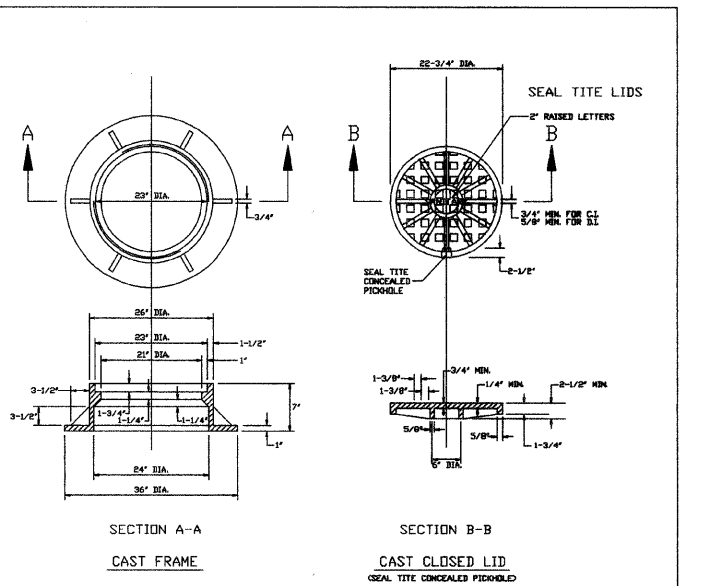
- GENERAL NOTES:**
1. DUCTILE IRON CASTING SHALL BE TESTED IN ACCORDANCE WITH FEDERAL SPECIFICATIONS.
  2. ALL FRAMES AND COVERS SHALL HAVE A MACHINED HORIZONTAL AND VERTICAL BEARING SURFACES. PICK HOLES IN THE COVER SHALL NOT BE OPEN.
  3. THE MANHOLE COVERS SHALL HAVE RAISED LETTERS AS SHOWN.
  4. DIMENSIONS FOR CASTINGS ARE COMPARABLE TO EAST JORDAN IRON WORKS, INC. 1022-3 OR NEENAH FOUNDRY 1772-C FURNISHED WITH TYPE F CONCEALED PICK HOLES OR APPROVED EQUAL.
  5. WATERPROOF, BOLTDOWN FRAME AND COVER SHALL BE USED IN ANY LOCATION SUBJECT TO INUNDATION. (NEENAH R-1916-F, EAST JORDAN 1022-3 WT WITH TYPE 3 CLOSED PICK HOLES OR APPROVED EQUAL).

REV.:	ERH	REV. 09-09-09		VILLAGE OF LOMBARD
REV.:	ERH	REV. 03-09-99		STORM 3B
DRAWN BY: V.JGL		DATE: 2-16-98		



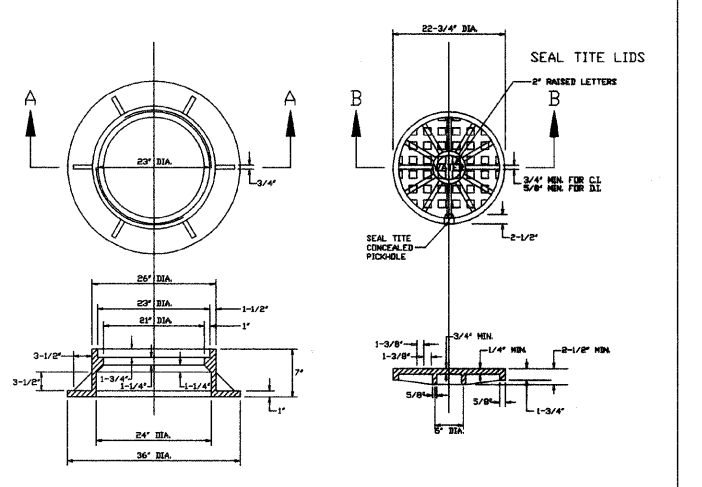
- GENERAL NOTES:**
1. PROVIDE PRECAST REINFORCED CONCRETE BARREL AND RISER SECTION. CONCRETE BLOCK CONSTRUCTION IS NOT PERMITTED.
  2. PROVIDE SELECT GRANULAR BACKFILL AROUND MANHOLE TO SUBGRADE ELEVATION IN PAVED AREAS. MATERIAL SHALL MEET THE REQUIREMENTS OF IDOT "STANDARD SPECIFICATIONS FOR ROAD AND BRIDGE CONSTRUCTION" FOR COARSE AGGREGATE (CA-6 GRADATION), OR AS OTHERWISE DIRECTED BY THE VILLAGE ENGINEER.
  3. APPLY A CONTINUOUS LAYER OF NON-HARDENING PREFORMED BITUMINOUS MASTIC MATERIAL (RUB-R-NEK OR EZ STICK) TO EACH JOINT BELOW THE BOTTOM OF CONE OR FLATTOP TO PREVENT INFLOW.
  4. WHEN THE FRAME DOES NOT MEET PROPOSED ELEVATION, A MINIMUM OF TWO TAPERED RUBBERIZED ADJUSTING RINGS SHALL BE USED FOR FINAL ADJUSTMENT. ONE CONCRETE RING NOT LESS THAN TWO INCHES THICK MAY ALSO BE USED. A MAXIMUM OF THREE ADJUSTING RINGS MAY BE USED TO A MAXIMUM HEIGHT OF 12 INCHES. EACH RING AND THE FRAME SHALL BE SET ON A BED OF NON-PREFORMED MASTIC.
  5. PRECAST ADJUSTING RINGS SHALL BE REINFORCED WITH NO. 3 GAUGE WIRE OR EQUIVALENT.
  6. MORTAR SHALL NOT BE USED TO DRESS UP ADJUSTING RINGS AND/OR FRAME.
  7. ONLY PLASTIC POLYMER STEPS SHALL BE USED.
  8. WHEN MANHOLE DEPTH IS OVER 12 FEET, THE THICKNESS OF THE BASE SHALL BE A MINIMUM OF 10 INCHES. WHEN MANHOLE DEPTH IS LESS THAN 12 FEET, THE THICKNESS SHALL BE A MINIMUM OF 8 INCHES.
  9. DRESS UP INTERIOR JOINTS WITH HYDRAULIC CEMENT.
  10. SANITARY MANHOLES SHALL BE CONSTRUCTED WITH A CHIMNEY SEALING SYSTEM BY CRETEX OR AN EQUAL APPROVED BY THE VILLAGE. CHIMNEY SEALS SHALL BE REQUIRED UNLESS THE MANHOLE IS ADJUSTED TO FINAL GRADE IN ACCORDANCE WITH VILLAGE DETAIL STORM 7 - CASTING ADJUSTMENTS FOR STRUCTURES IN PAVED AREAS.

REV.:	ERH	REV. 01-06-09		VILLAGE OF LOMBARD
REV.:	ERH	REV. 07-14-99		SANITARY 1
DRAWN BY: V.JGL		DATE: 2-16-98		



- GENERAL NOTES:**
1. DUCTILE IRON CASTING SHALL BE TESTED IN ACCORDANCE WITH FEDERAL SPECIFICATIONS.
  2. ALL FRAMES AND COVERS SHALL HAVE A MACHINED HORIZONTAL AND VERTICAL BEARING SURFACES. PICK HOLES IN THE COVER SHALL NOT BE OPEN.
  3. THE MANHOLE COVERS SHALL HAVE RAISED LETTERS AS SHOWN.
  4. DIMENSIONS FOR CASTINGS ARE COMPARABLE TO EAST JORDAN IRON WORKS, INC. 1022-3 OR NEENAH FOUNDRY 1772-C FURNISHED WITH TYPE F CONCEALED PICK HOLES OR APPROVED EQUAL.
  5. WATERPROOF, BOLTDOWN FRAME AND COVER SHALL BE USED IN ANY LOCATION SUBJECT TO INUNDATION. (NEENAH R-1916-F, EAST JORDAN 1022-3 WT WITH TYPE 3 CLOSED PICK HOLES OR APPROVED EQUAL).

REV.:	ERH	REV. 03-09-99		VILLAGE OF LOMBARD
REV.:	ERH	REV. 03-09-99		SANITARY 3
DRAWN BY: V.JGL		DATE: 2-16-98		



- GENERAL NOTES:**
1. DUCTILE IRON CASTING SHALL BE TESTED IN ACCORDANCE WITH FEDERAL SPECIFICATIONS.
  2. ALL FRAMES AND COVERS SHALL HAVE A MACHINED HORIZONTAL AND VERTICAL BEARING SURFACES. PICK HOLES IN THE COVER SHALL NOT BE OPEN.
  3. THE MANHOLE COVERS SHALL HAVE RAISED LETTERS AS SHOWN.
  4. DIMENSIONS FOR CASTINGS ARE COMPARABLE TO EAST JORDAN 1022-3 OR NEENAH FOUNDRY 1772-C OR APPROVED EQUAL.
  5. WATERPROOF, BOLTDOWN FRAME AND COVER SHALL BE USED IN ANY LOCATION SUBJECT TO INUNDATION. (NEENAH R-1916-F, EAST JORDAN 1022-3 WT OR APPROVED EQUAL).

REV.:	ERH	REV. 03-09-99		VILLAGE OF LOMBARD
REV.:	ERH	REV. 03-09-99		WATER 5
DRAWN BY: V.JGL		DATE: 2-16-98		

I:\CRYSTAL LAKE\LOMBARD\090318-MAIN ST LAPP\CA00-SURVEY\DRAWINGS\DWGS\090318-VILLAGE-DET.DWG 02  
 Plotted: 3/29/2010 8:34 AM By: 560KAR  
 Copyright © 2010, By Boxter & Woodman, Inc.  
 State of Illinois - Professional Design Firm  
 License No. 184-001121 - Expires 4-30-11



DESIGNED - TMS	REVISED -
DRAWN - KAR	REVISED -
CHECKED - JWF	REVISED -
DATE - 03-08-10	REVISED -

**STATE OF ILLINOIS  
DEPARTMENT OF TRANSPORTATION**

**VILLAGE OF LOMBARD STANDARD DETAILS**

SCALE: HORIZ. 1"=20' / VERT. 1"=5' PROJECT NO: 090318 STA. TO STA.

F.A.U. R/L:	SECTION	COUNTY	TOTAL SHEETS	SHEET NO.
2611	01-00142-00-RS	DuPAGE	25	19
C-91-427-10		CONTRACT NO. 63456		
FED. ROAD DIST. NO. 1		ILLINOIS FED. AID PROJECT		