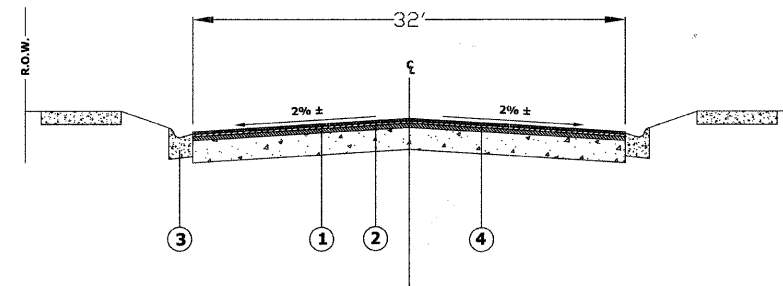


**EXISTING TYPICAL SECTION  
PHEASANT RIDGE ROAD  
STA. 2+00 TO 20+77**

**EXISTING LEGEND**

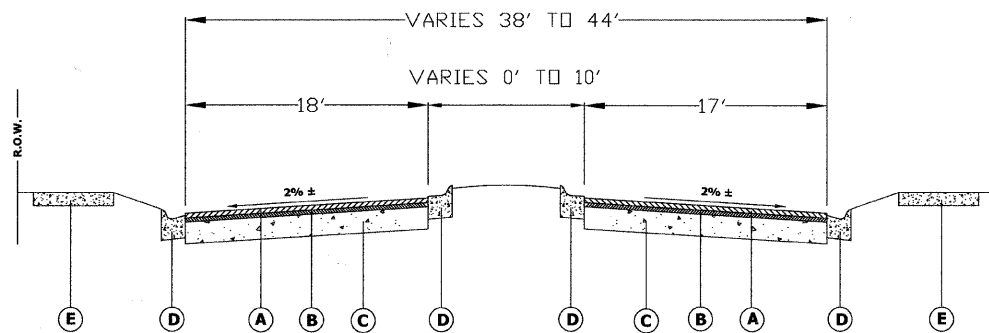
- Ⓐ ASPHALT PAVEMENT SURFACE COURSE, 1½"
- Ⓑ ASPHALT PAVEMENT BINDER COURSE, 1½"
- Ⓒ AGGREGATE BASE
- Ⓓ CONCRETE CURB AND GUTTER, M 3-12
- Ⓔ PCC SIDEWALK



**PROPOSED TYPICAL SECTION  
PHEASANT RIDGE ROAD  
STA. 2+00 TO 20+77**

**PROPOSED LEGEND**

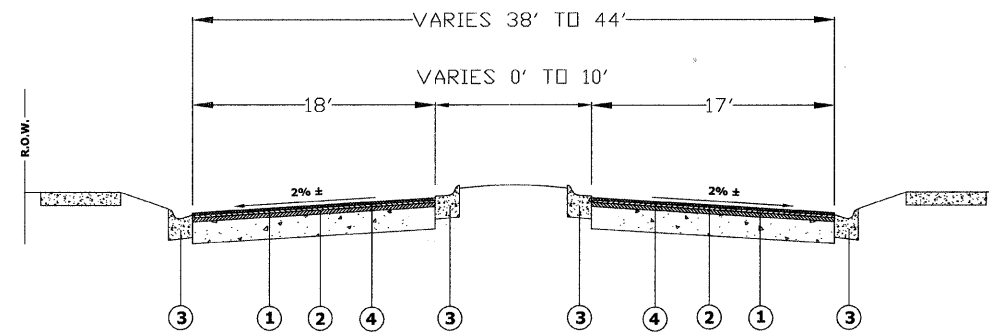
- ① HOT MIX ASPHALT ASPHALT SURFACE COURSE, MIX "C", N50, 1¾"
- ② POLYMERIZED LEVELING BINDER (MACHINE METHOD), IL 4.75, N50, 1"
- ③ CONCRETE CURB AND GUTTER, M 3-12
- ④ PROPOSED HOT-MIX ASPHALT SURFACE REMOVAL - 2 ½"



**EXISTING TYPICAL SECTION  
PHEASANT RIDGE ROAD  
STA. 0+00 TO 2+00**

**EXISTING LEGEND**

- Ⓐ ASPHALT PAVEMENT SURFACE COURSE, 1½"
- Ⓑ ASPHALT PAVEMENT BINDER COURSE, 1½"
- Ⓒ AGGREGATE BASE
- Ⓓ CONCRETE CURB AND GUTTER, M 3-12
- Ⓔ PCC SIDEWALK



**PROPOSED TYPICAL SECTION  
PHEASANT RIDGE ROAD  
STA. 0+00 TO 2+00**

**PROPOSED LEGEND**

- ① HOT MIX ASPHALT ASPHALT SURFACE COURSE, MIX "C", N50, 1¾"
- ② POLYMERIZED LEVELING BINDER (MACHINE METHOD), IL 4.75, N50, 1"
- ③ CONCRETE CURB AND GUTTER, M 3-12
- ④ PROPOSED HOT-MIX ASPHALT SURFACE REMOVAL - 2 ½"

CONTRACTOR SHALL MILL BEFORE PATCHING

**HOT MIX ASPHALT MIXTURE REQUIREMENTS**

MIXTURE TYPE	AIR VOIDS @ Ndes
<b>RESURFACING</b>	
HOT MIX ASPHALT SURFACE COURSE, MIX "C", N50 (IL 9.5mm)	4% @ 50 GYR.
POLYMERIZED LEVELING BINDER (Machine Method) IL 4.75, N50	4% @ 50 GYR.
<b>PATCHING</b>	
CLASS D PATCHES (HMA BINDER IL-19 mm); TYPE IV - 3 INCH	4% @ 70 GYR.

THE UNIT WEIGHT USED TO CALCULATE ALL HMA SURFACE MIXTURE QUANTITIES IS 112 LBS/SQ YD/IN.

THE "AC TYPE" FOR POLYMERIZED HMA MIXES SHALL BE "SBS/SBR PG 70-22" AND FOR NON-POLYMERIZED HMA THE "AC TYPE" SHALL BE "PG 64-22" UNLESS MODIFIED BY DISTRICT ONE SPECIAL PROVISIONS. FOR "PERCENT OF RAP" SEE DISTRICT ONE SPECIAL PROVISIONS.

FILE NAME	USER NAME = VILLAGE OF LAKE ZURICH	DESIGNED — D. BURAU	REVISED — 03/05/2010	STATE OF ILLINOIS DEPARTMENT OF TRANSPORTATION	EXISTING AND PROPOSED TYPICAL SECTIONS PHEASANT RIDGE ROAD		F.A.U. RTE. 3530	SECTION 09-00072-00-RS	COUNTY LAKE	TOTAL SHEETS 17	SHEET NO. 4
	PLOT SCALE = N.T.S.	CHECKED — D. HEYDEN	REVISED — 03/24/2010		PROJECT ARA-9003(441)	SCALE: N.T.S. SHEET NO. 4 OF 17 SHEETS		CONTRACT NO. 63466		FED. ROAD DIST. NO. 1 ILLINOIS FED. AID PROJECT	
PLOT DATE = 03/25/2010	DATE — 10/12/2009	REVISED —	REVISED —								