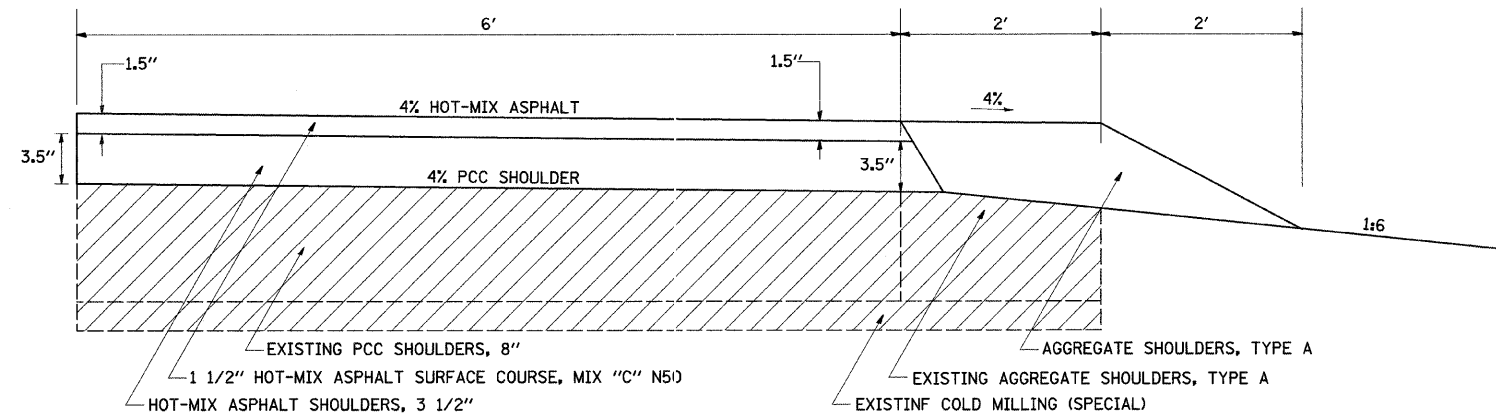


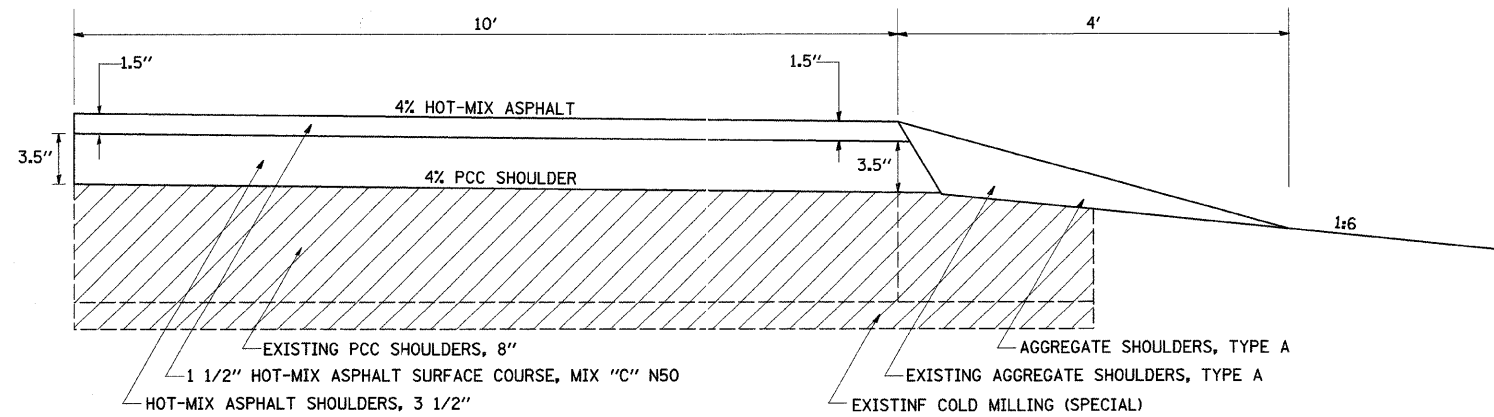
# PROPOSED TYPICAL SECTIONS

## SHOULDER DETAILS

### INSIDE SHOULDER



### OUTSIDE SHOULDER



EXISTING PAVEMENT

POLYMERIZED HOT-MIX ASPHALT SURFACE COURSE, MIX "E", N105, 119 LB/SY/IN  
 SHOULDER & RAMPS HOT-MIX ASPHALT: 112 LB/SY/IN  
 POLYMERIZED HOT-MIX ASPHALT LEVELING BINDER & BINDER: 112 LB/SY/IN

FILE NAME =	USER NAME = stringerjm	DESIGNED -	REVISED -
c:\pwork\PWIDOT\STRINGERJM\014931\02050809-shd-typical.dgn		DRAWN -	REVISED -
PLOT SCALE = 50.0000' / IN.		CHECKED -	REVISED -
PLOT DATE = Tue May 25 07:32:39 2010		DATE -	REVISED -

STATE OF ILLINOIS  
 DEPARTMENT OF TRANSPORTATION

I-39  
 TYPICAL SECTIONS

SCALE: SHEET NO. OF SHEETS STA. TO STA.

F.A.I. RTE.	SECTION	COUNTY	TOTAL SHEETS	SHEET NO.
39	103-1, 103-2/RS	LEE	313	21
CONTRACT NO. 64E97				
ILLINOIS FED. AID PROJECT				

**REVISED**  
 S-27-10  
 SHEET