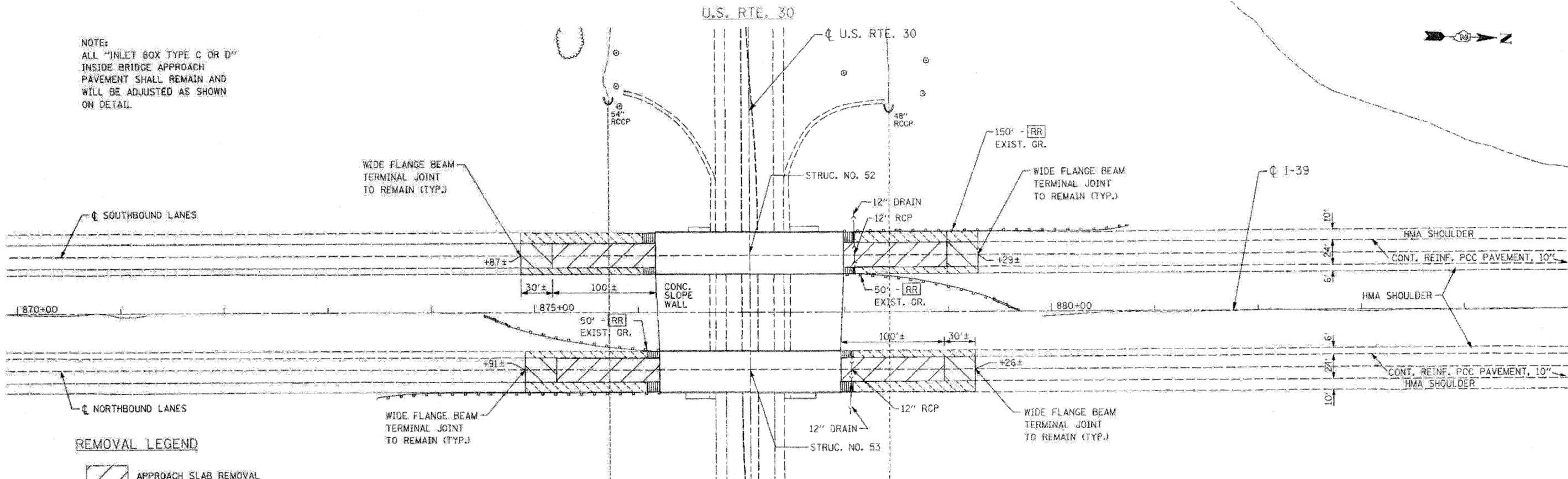


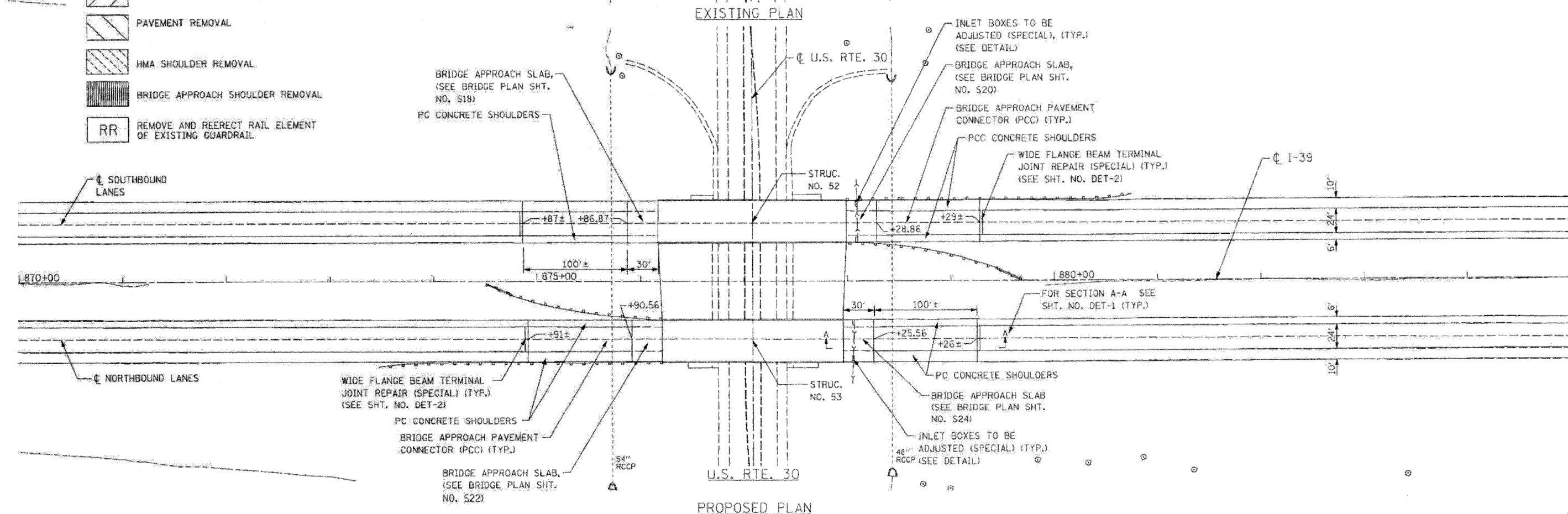
DATE	
BY	
REVISIONS	
NO.	
DATE	
BY	
REVISIONS	
NO.	
DATE	
BY	
REVISIONS	
NO.	

DATE	
BY	
REVISIONS	
NO.	
DATE	
BY	
REVISIONS	
NO.	
DATE	
BY	
REVISIONS	
NO.	

NOTE:  
ALL "INLET BOX TYPE C OR D"  
INSIDE BRIDGE APPROACH  
PAVEMENT SHALL REMAIN AND  
WILL BE ADJUSTED AS SHOWN  
ON DETAIL



- REMOVAL LEGEND**
- APPROACH SLAB REMOVAL
  - PAVEMENT REMOVAL
  - HMA SHOULDER REMOVAL
  - BRIDGE APPROACH SHOULDER REMOVAL
  - REMOVE AND REERECT RAIL ELEMENT OF EXISTING GUARDRAIL



FILE NAME: 026497-1st-plan.dgn  
PLOT DATE: 3/29/2010  
PLOT SCALE: 50.0000' / 1"

**CHRISTIAN-ROGE & ASSOCIATES, INC.**  
ENGINEERS-PLANNERS-SURVEYORS  
211 WEST WACKER DRIVE  
CHICAGO, ILLINOIS 60606  
PHONE: (312)372-2023 FAX: (312)372-5274

DESIGNED	M.P.	REVISED	-
DRAWN	D.L.	REVISED	-
CHECKED	E.M.	REVISED	-
DATE	MARCH 2010	REVISED	-

**STATE OF ILLINOIS  
DEPARTMENT OF TRANSPORTATION**

EXISTING AND PROPOSED PLAN			
I-39 OVER U.S. RTE. 30			
STA. 870+00 TO STA. 885+00			
SCALE:	SHEET NO. OF SHEETS	STA. TO STA.	

F.A.I. RTE.	SECTION	COUNTY	TOTAL SHEETS	SHEET NO.
39	103-1, 103-2RS	LEE	313	131
CONTRACT NO. 64E97				
FED. ROAD DIST. NO. 1 ILLINOIS FED. AID PROJECT				

RP-1