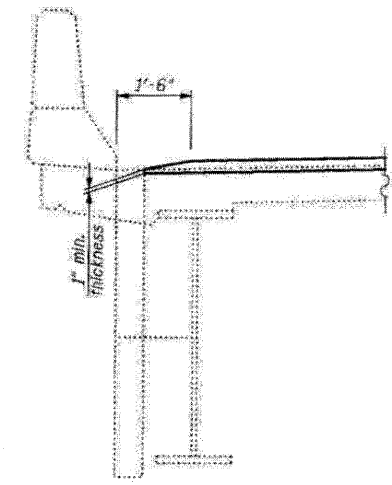
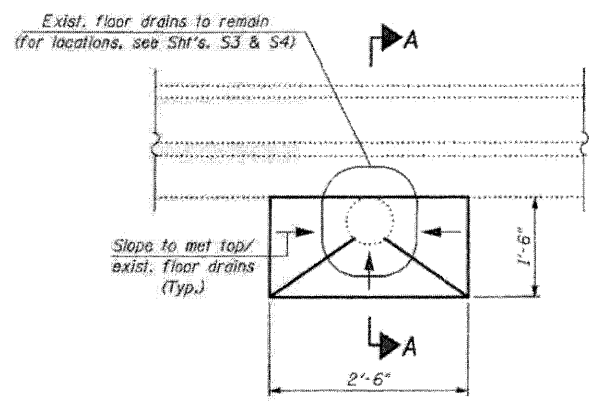


DECK PLAN



SECTION A-A



DETAIL "A"

PLAN
(Showing overlay taper at exist. floor drains)

LEGEND:

- Deck Slab Repair (Full Depth, Type I)
- Deck Slab Repair (Full Depth, Type II)
- Deck Slab Repair (Partial)
- Joint Reconstruction

NOTES:

For Joint Reconstruction Details, See Sht's. S5 thru S12.
 For Approach Slab Repairs, See Sht's. S18 thru S25.
 Deck Slab Repair (Partial) is Shown for Information Only.
 Areas of Deck Repairs shown are estimated. The Engineer shall show actual locations of Deck Repairs on As-Built Plans.
 Proposed Overlay to be tapered at Existing Floor Drains, see Detail "A", this Sheet.
 All Patch dimensions are in feet.
 Diaphragm spacing shown is for reference only.

TOTAL BILL OF MATERIAL

ITEM	UNIT	QUANTITY
Deck Slab Repair (Full Depth, Type I)	Sq. Yd.	8
Deck Slab Repair (Full Depth, Type II)	Sq. Yd.	14