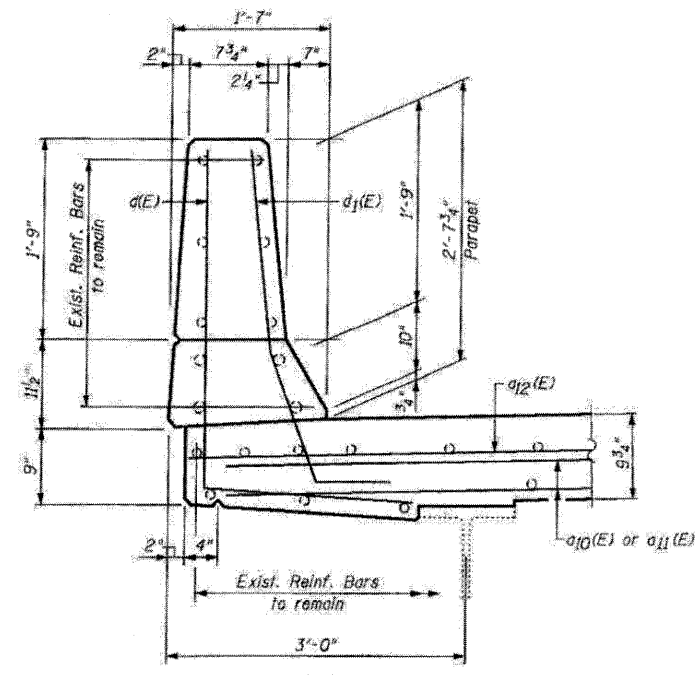


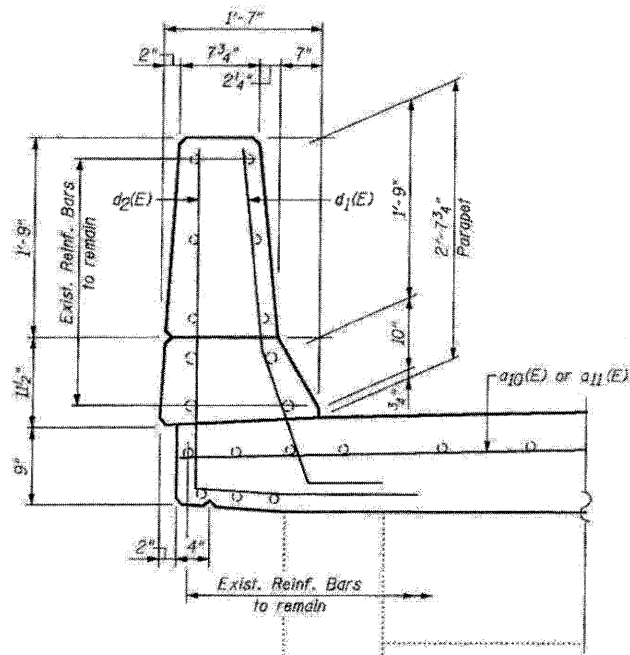
**BILL OF MATERIAL**

Bar	No.	Size	Length	Shape
d10(E)	11	#5	22'-6"	—
a11(E)	11	#5	18'-6"	—
a12(E)	6	#6	4'-0"	—
b2(E)	40	#5	2'-3"	└
d(E)	6	#4	5'-0"	└
d1(E)	10	#5	3'-11"	└
d2(E)	4	#4	6'-2"	└
Reinforcement Bars, Epoxy Coated		Pound	680	
Concrete Removal		Cu. Yd.	4.9	
Concrete Superstructure		Cu. Yd.	5.7	
Bar Splicers		Each	11	
Protective Coat		Sq. Yd.	3	

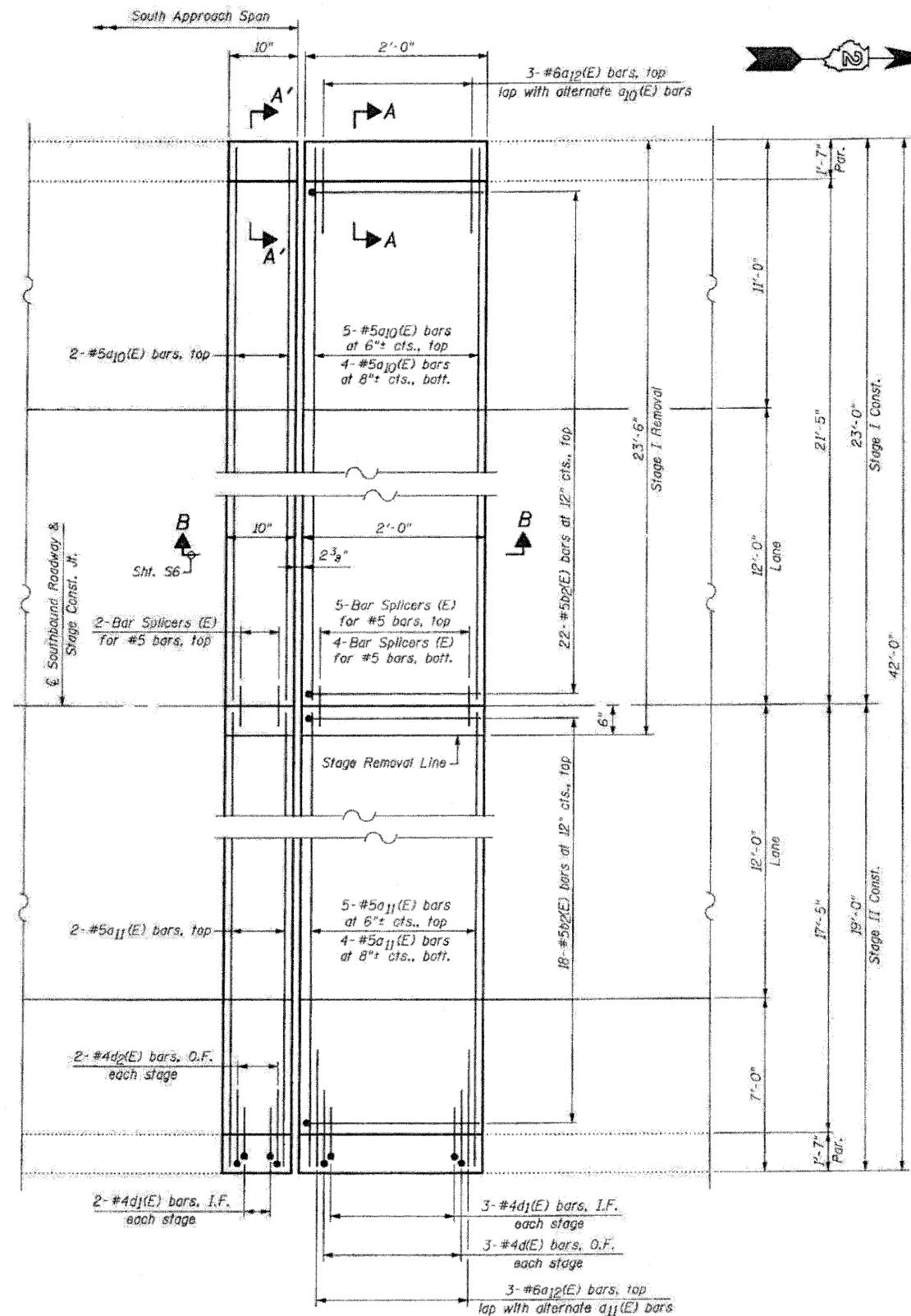
\*\*\*  
 \*\*\*  
 \*\*\*  
 Quantity for Top & Inside Face of Reconstructed Parapets



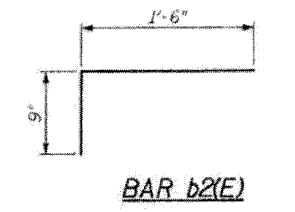
**SECTION A-A**



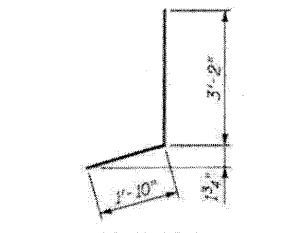
**SECTION A'-A'**



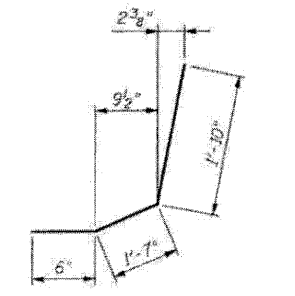
**PROPOSED PLAN**  
**SOUTH ABUTMENT AT**  
**SOUTHBOUND STRUCTURE**



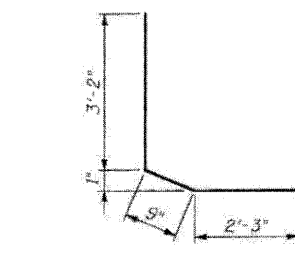
**BAR b2(E)**



**BAR d(E)**



**BAR d1(E)**



**BAR d2(E)**

**LEGEND:**

O.F. = Outside Face  
 I.F. = Inside Face

FILE NAME: P528052-64E97-05-S-Abut-SB-110  
 PLOT DATE: 3/29/2010  
 PLOT SCALE: 5/8" = 1'-0"

**CHRISTIAN-ROGE & ASSOCIATES, INC.**  
 ENGINEERS-PLANNERS-SURVEYORS  
 211 WEST WACKER DRIVE  
 CHICAGO, ILLINOIS 60606  
 PHONE: (312)372-2023 FAX: (312)372-5274

DESIGNED - B.N.S./J.C.N.  
 DRAWN - D.L./F.M.  
 CHECKED - B.N.S./J.C.N.  
 DATE - MARCH, 2010

REVISED -  
 REVISED -  
 REVISED -  
 REVISED -

**STATE OF ILLINOIS**  
**DEPARTMENT OF TRANSPORTATION**

**JOINT RECONSTRUCTION AT SOUTH ABUTMENT**  
**SOUTHBOUND STRUCTURE**  
**I-39 OVER U.S. RTE. 30**  
**S.N. 052-0052**

F.A.I. RTE.	SECTION	COUNTY	TOTAL SHEETS	SHEET NO.
39	103-1, 103-2/R5	LEE	313	140
CONTRACT NO. 64E97				