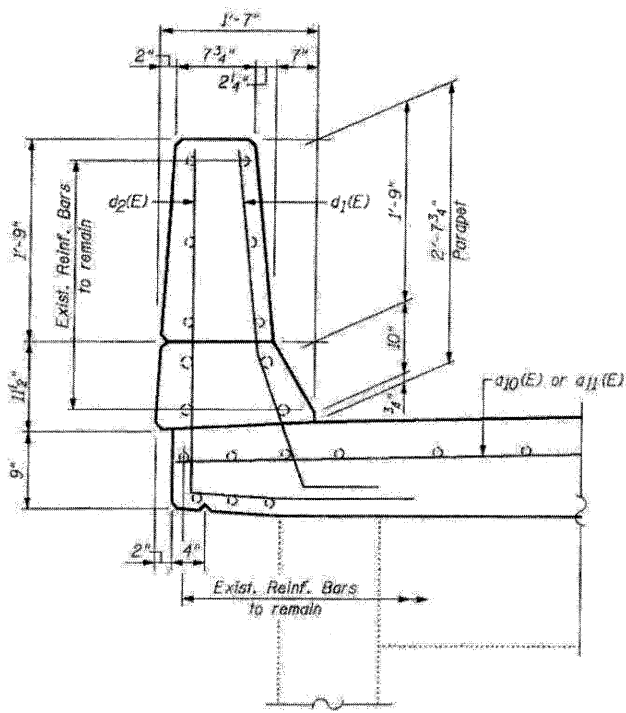
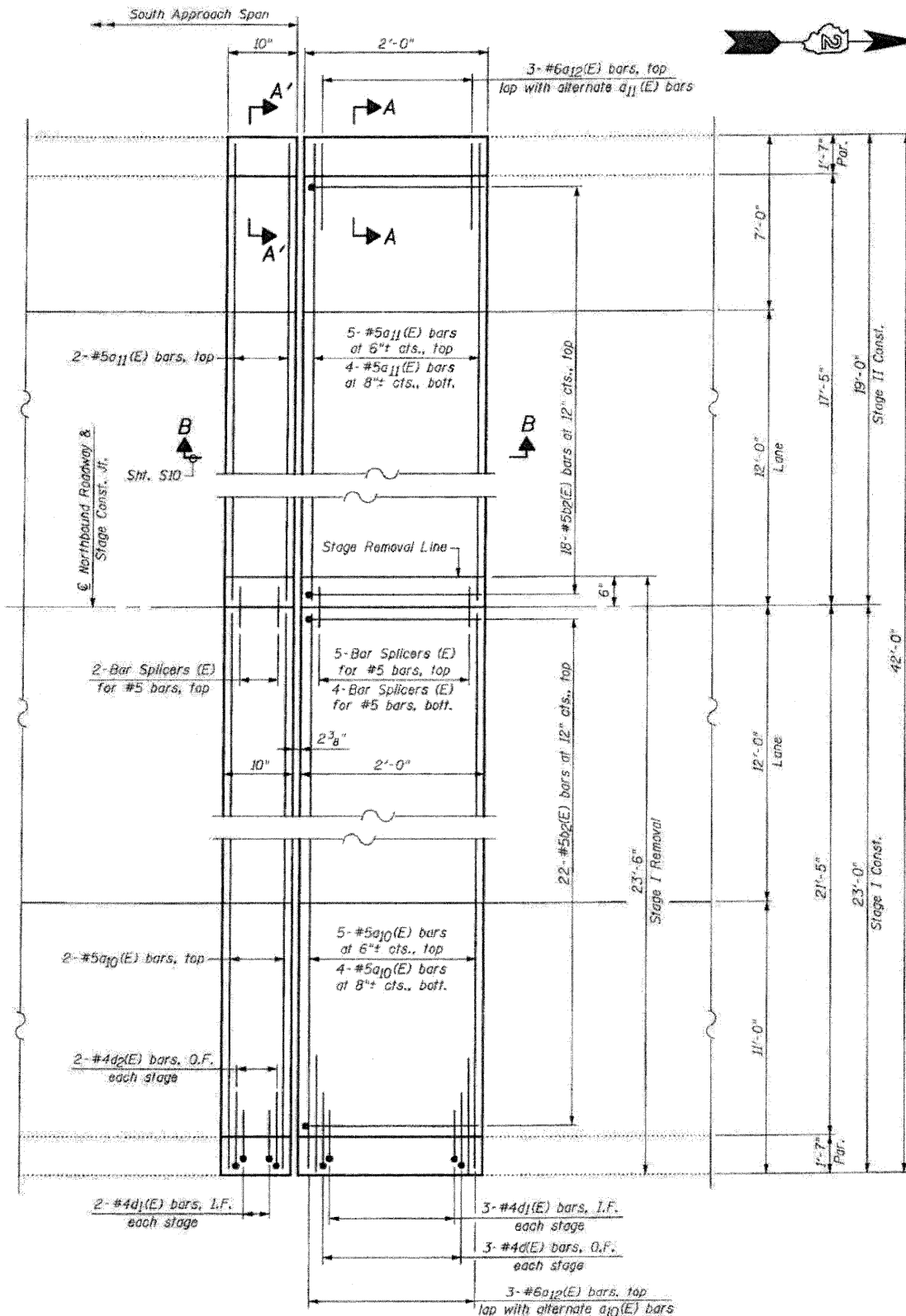


SECTION A-A

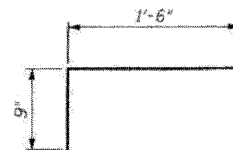


SECTION A'-A'

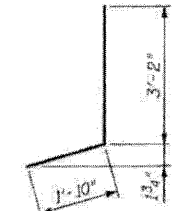


PROPOSED PLAN

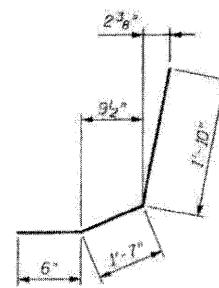
SOUTH ABUTMENT AT
NORTHBOUND STRUCTURE



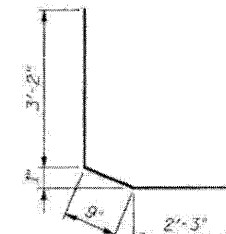
BAR b2(E)



BAR d(E)



BAR d1(E)



BAR d2(E)

LEGEND:

O.F. = Outside Face
I.F. = Inside Face

BILL OF MATERIAL

Bar	No.	Size	Length	Shape
a10(E)	11	#5	22'-6"	—
a11(E)	11	#5	18'-6"	—
a12(E)	6	#6	4'-0"	—
b2(E)	40	#5	2'-3"	┌
d(E)	6	#4	5'-0"	J
d1(E)	10	#5	3'-11"	J
d2(E)	4	#4	6'-2"	L
Reinforcement Bars, Epoxy Coated		Pound	680	
Concrete Removal		Cu. Yd.	4.9	
Concrete Superstructure		Cu. Yd.	5.7	
Bar Splicers		Each	11	
Protective Coat		Sq. Yd.	3	

Quantity for Top & Inside Face of Reconstructed Parapets

FILE NAME: 0520002-64E97-09-S-Abut-NB-plan
PLOT DATE: 3/29/2010
PLOT SCALE: 5/8"=1'-0"

CHRISTIAN-ROGE & ASSOCIATES, INC.
ENGINEERS-PLANNERS-SURVEYORS
211 WEST WACKER DRIVE
CHICAGO, ILLINOIS 60606
PHONE: (312)372-2023 FAX: (312)372-5274

DESIGNED - B.N.S./J.C.N.
DRAWN - D.L./F.M.
CHECKED - B.N.S./J.C.N.
DATE - MARCH, 2010

REVISED -
REVISED -
REVISED -
REVISED -

STATE OF ILLINOIS
DEPARTMENT OF TRANSPORTATION

JOINT RECONSTRUCTION AT SOUTH ABUTMENT
NORTHBOUND STRUCTURE
I-39 OVER U.S. RTE. 30

S.N. 052-0053

SCALE: SHEET NO. S9 OF S28 SHEETS STA. TO STA.

F.A.I. RTE.	SECTION	COUNTY	TOTAL SHEETS	SHEET NO.
39	1103-1, 103-2IRS	LEE	313	144
CONTRACT NO. 64E97				