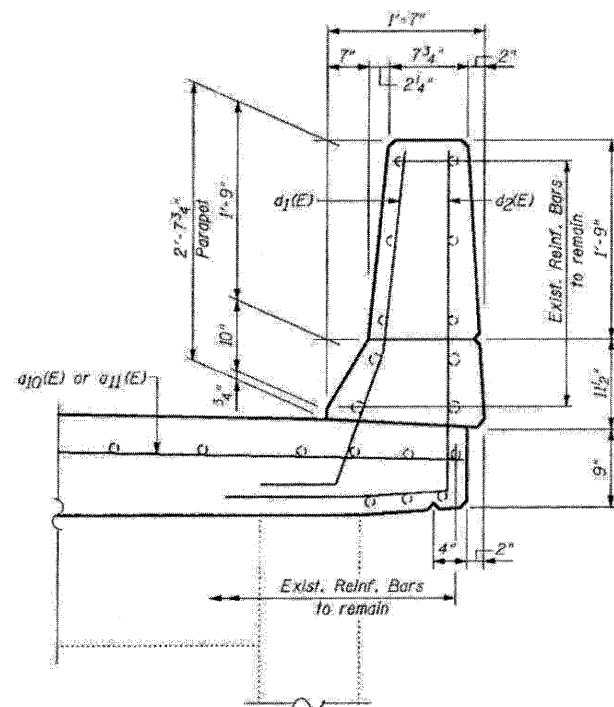
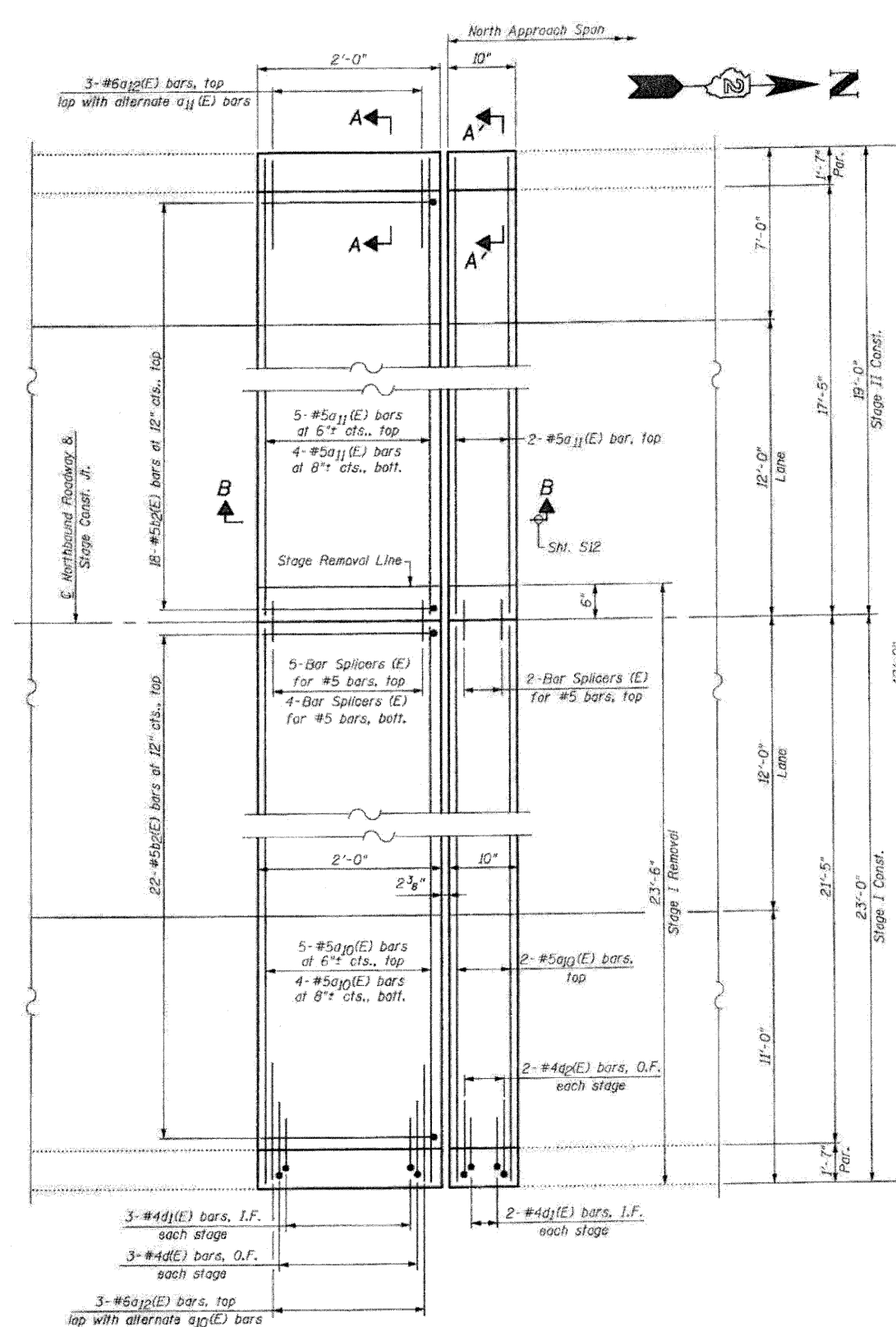


SECTION A-A

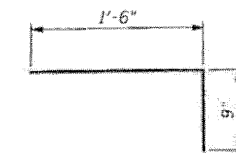


SECTION A'-A'

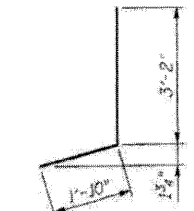


PROPOSED PLAN

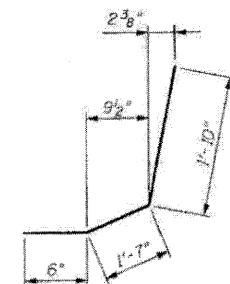
NORTH ABUTMENT AT
NORTHBOUND STRUCTURE



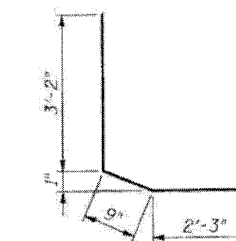
BAR b2(E)



BAR d(E)



BAR d1(E)



BAR d2(E)

BILL OF MATERIAL

Bar	No.	Size	Length	Shape	
a10(E)	11	#5	22'-6"	—	
a11(E)	11	#5	18'-6"	—	
a12(E)	6	#6	4'-0"	—	
b2(E)	40	#5	2'-3"	└	
d(E)	6	#4	5'-0"	J	
d1(E)	10	#5	3'-11"	J	
d2(E)	4	#4	6'-2"	L	
Reinforcement Bars, Epoxy Coated				Pound	680
Concrete Removal				Cu. Yd.	4.9
Concrete Superstructure				Cu. Yd.	5.7
Bar Splicers				Each	11
Protective Coat				Sq. Yd.	3

Quantity for Top & Inside Face of Reconstructed Parapets

LEGEND:

O.F. = Outside Face
I.F. = Inside Face