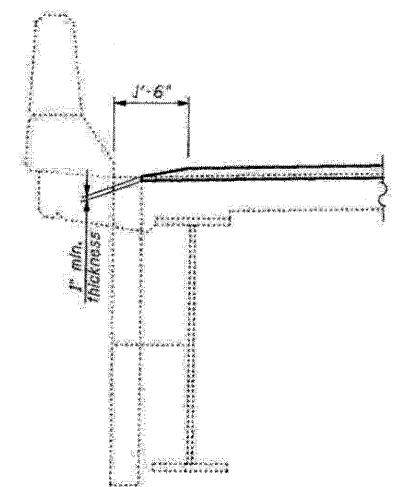
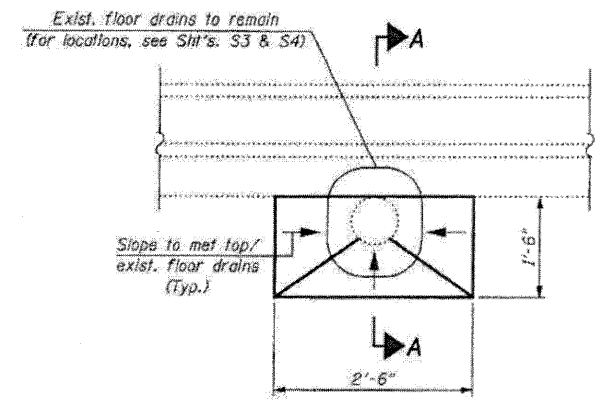


DECK PLAN



SECTION A-A



DETAIL "A" PLAN

(Showing overlay taper at exist. floor drains)

LEGEND:

- Deck Slab Repair (Full Depth, Type I)
- Deck Slab Repair (Full Depth, Type II)
- Deck Slab Repair (Partial)
- Joint Reconstruction

NOTES:

For Joint Reconstruction Details. See Sht's. S5 thru S12.
 For Approach Slab Repairs. See Sht's. S16 thru S23.
 Deck Slab Repair (Partial) is Shown for Information Only.
 Areas of Deck Repairs shown are estimated. The Engineer shall show actual locations of Deck Repairs on As-Built Plans.
 Proposed Overlay to be tapered at Existing Floor Drains, see Detail "A", this Sheet.
 All Patch dimensions are in feet.
 Diaphragm spacing shown is for reference only.

TOTAL BILL OF MATERIAL

ITEM	UNIT	QUANTITY
Deck Slab Repair (Full Depth, Type I)	Sq. Yd.	6
Deck Slab Repair (Full Depth, Type II)	Sq. Yd.	17

FILE NAME = 0920049-64E97-03-SB-dk-pld
 PLOT DATE = 3/29/2010
 PLOT SCALE = 50.0000 X 1 IN.

CHRISTIAN-ROGE & ASSOCIATES, INC.
 ENGINEERS-PLANNERS-SURVEYORS
 211 WEST WACKER DRIVE
 CHICAGO, ILLINOIS 60606
 PHONE: (312)372-2023 FAX: (312)372-5274

DESIGNED - B.N.S./J.C.N.
 DRAWN - D.L./F.M.
 CHECKED - B.N.S./J.C.N.
 DATE - MARCH, 2010

REVISED -
 REVISED -
 REVISED -
 REVISED -

STATE OF ILLINOIS
DEPARTMENT OF TRANSPORTATION

DECK PLAN
SOUTHBOUND STRUCTURE
1-39 OVER STEWARD CREEK

S.N. 052-0048

SCALE: SHEET NO. 53 OF 526 SHEETS STA. TO STA.

F.A.I. RTE.	SECTION	COUNTY	TOTAL SHEETS	SHEET NO.
39	1103-1, 103-21RS	LEE	313	166

CONTRACT NO. 64E97
 FED. ROAD DIST. NO. ILLINOIS FED. AID PROJECT