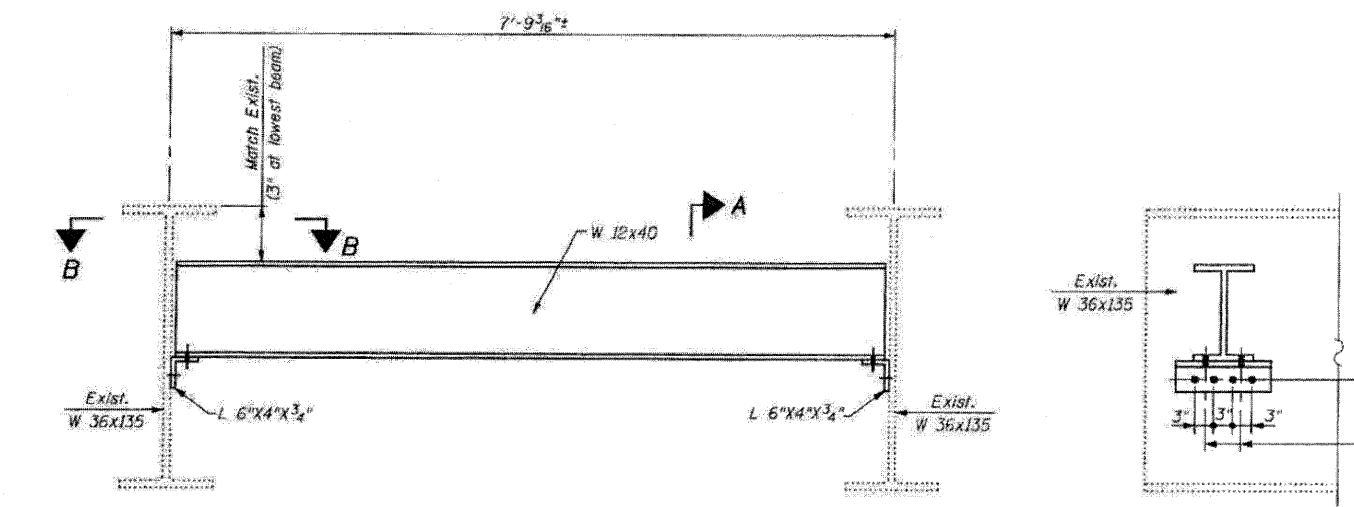
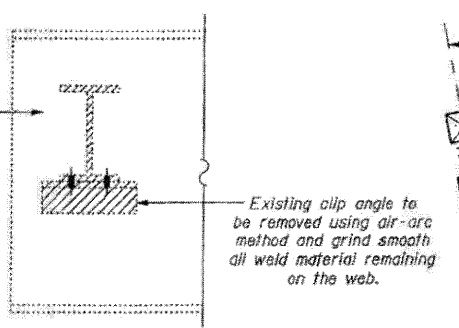


VIEW B-B
EXISTING END DIAPHRAGM
(See Framing plan for locations)
(20 Thus)

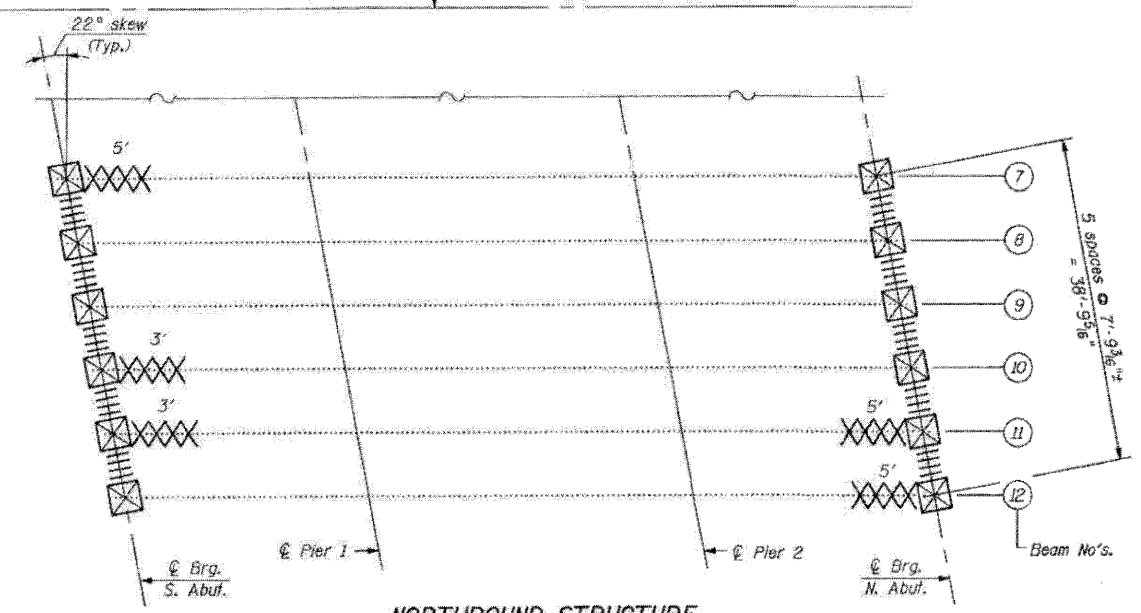
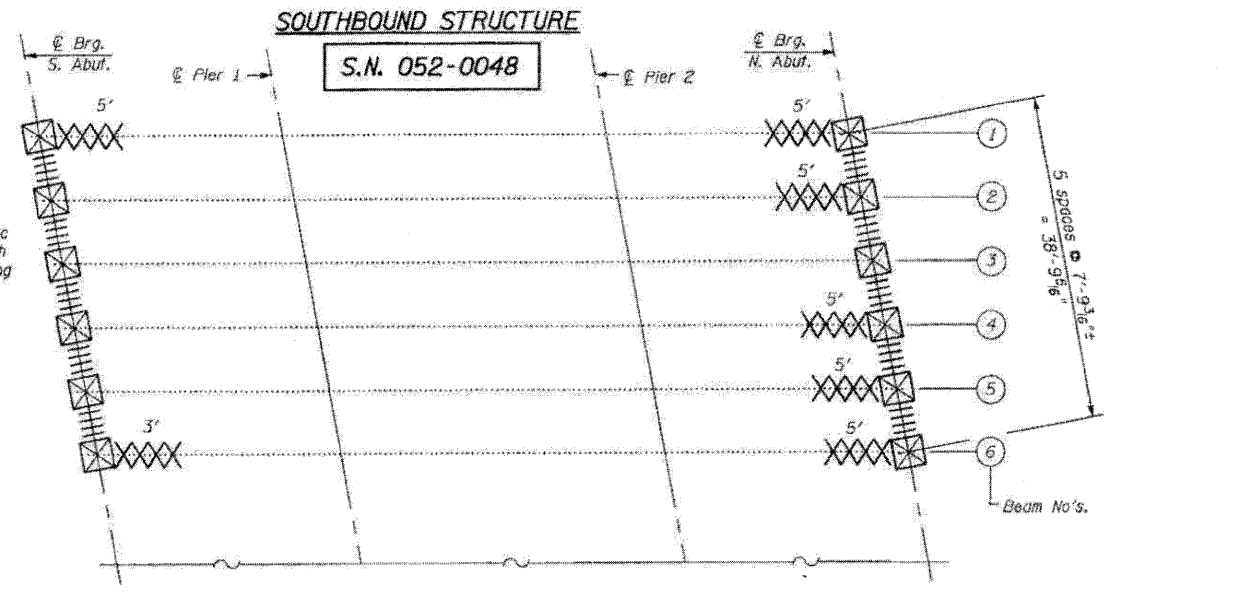


VIEW B-B
PROPOSED END DIAPHRAGM
(See Framing plan for locations)
(20 Thus)



SECTION A-A

LEGEND:
Structural Steel Removal



FRAMING PLAN
(Showing structural steel repairs)

LEGEND:
 Bearing Replacement
 Diaphragm Replacement
 End of Beam Repair

BILL OF MATERIAL

ITEM	UNIT	QUANTITY
Structural Steel Removal	Pound	7,900
Furnishing and Erecting Structural Steel	Pound	7,900

FILE NAME = 0520048-64E97-13-stl-repairs.dwg
 PLOT DATE = 3/29/2010
 PLOT SCALE = 58.8000 1/4 IN.

CHRISTIAN-ROGE & ASSOCIATES, INC.
 ENGINEERS-PLANNERS-SURVEYORS
 211 WEST WACKER DRIVE
 CHICAGO, ILLINOIS 60606
 PHONE: (312)372-2023 FAX: (312)372-5274

DESIGNED - B.N.S./J.C.N.	REVISED -
DRAWN - D.L./F.M.	REVISED -
CHECKED - B.N.S./J.C.N.	REVISED -
DATE - MARCH, 2010	REVISED -

STATE OF ILLINOIS
DEPARTMENT OF TRANSPORTATION

STRUCTURAL STEEL REPAIRS - I
SOUTHBOUND & NORTHBOUND STRUCTURES
I-39 OVER STEWARD CREEK
 S.N. 052-0048
 S.N. 052-0049

F.A.I. RTE. 39	SECTION 103-1, 103-2/RS	COUNTY LEE	TOTAL SHEETS 313	SHEET NO. 176
FED. ROAD DIST. NO. ILLINOIS FED. AID PROJECT			CONTRACT NO. 64E97	