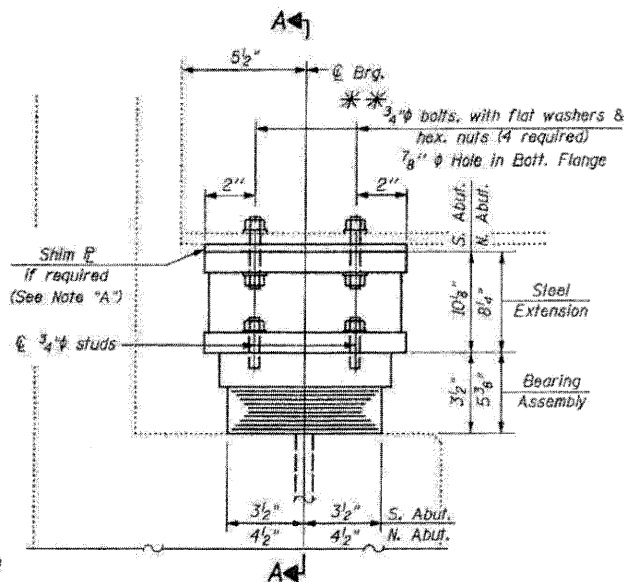


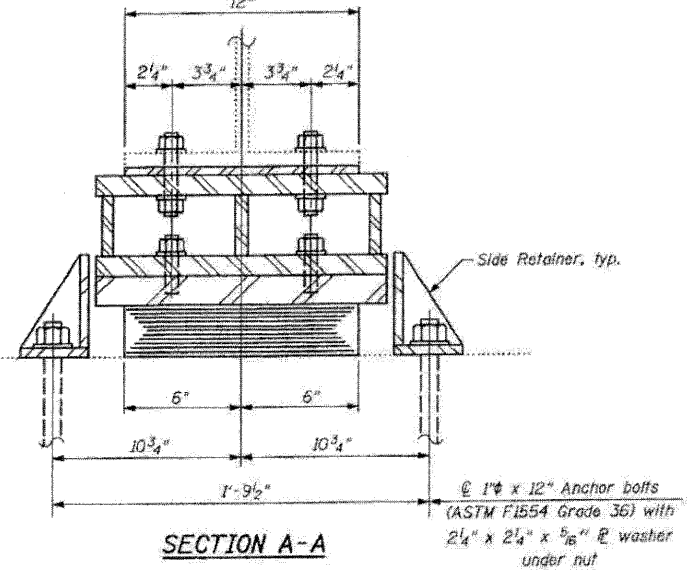
ELEVATION

* Burn existing anchor bolts flush with existing concrete surface. Grind existing anchor bolts smooth and seal with epoxy. Cost included with "Lock and Remove Existing Bearings"

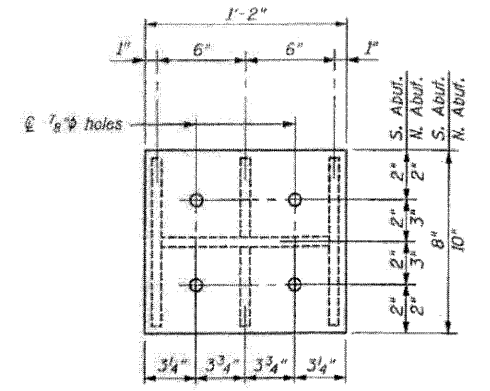


ELEVATION

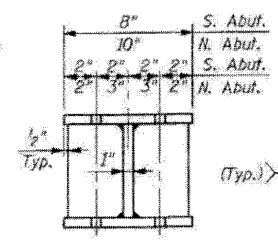
** See Sht S14 for end of beam repair which requires bolting through proposed bent plate above bottom flange of girder



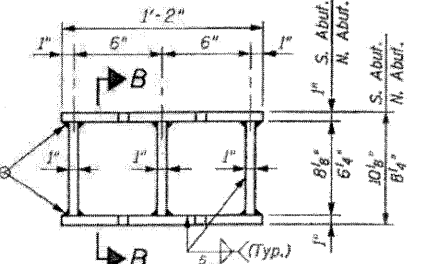
SECTION A-A



TOP & BOTTOM PLATE PLAN



SECTION B-B

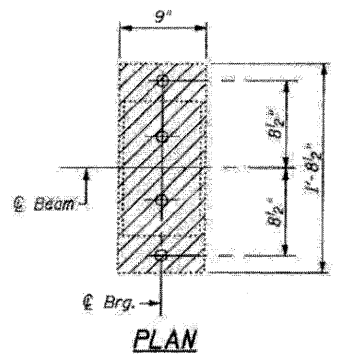


STEEL EXTENSION ELEVATION

STEEL EXTENSION DETAIL (24 required)

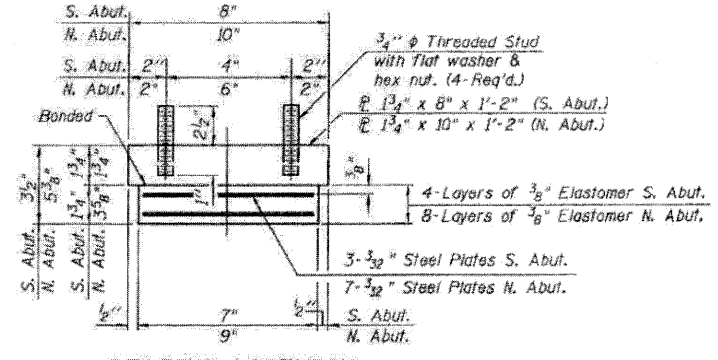
PROPOSED TYPE I ELASTOMERIC EXP. BRG. AT SOUTH & NORTH ABUTMENTS (24 required)

NOTE "A": Existing & proposed Shim Plate thickness: 1/4" = 5/16" at Beam 4 - S. Abut. (SB) 7/16" = 1/2" at Beam 9 - N. Abut. (NB)



PLAN

EXISTING BEARING REMOVAL AT SOUTH & NORTH ABUTMENTS



BEARING ASSEMBLY

Note: Shim plates shall not be placed under Bearing Assembly.

Notes: Anchor bolts shall be ASTM F1554 all-thread (or an Engineer approved alternate material) of the grade(s) and diameter(s) specified. ASTM A307 Grade C anchor bolts may be used in lieu of ASTM F1554 Grade 36 (Fy=36ksi). The corresponding specified grade of AASHTO M314 anchor bolts may be used in lieu of ASTM F1554. Anchor bolts for side retainers installed in holes drilled before or after members are in place. Drilled and set anchor bolts shall be installed according to Article 521.06 of the Standard Specifications. Side retainers and other steel members required for the bearing assembly shall be included in the cost of Elastomeric Bearing Assembly, Type I.

Prior to ordering any materials, the Contractor shall verify, in the field, all bearing height and shim thickness dimensions.

Min. jack capacity = 60 tons at each bearing location. Steel extensions, shim plates and connection bolts are included with Furnishing and Erecting Structural Steel.

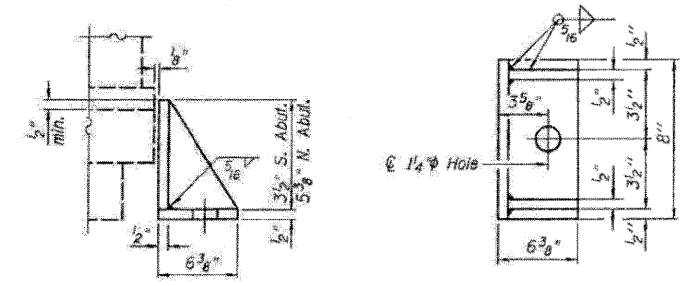
Two 1/4 in. adjusting shims shall be provided for each bearing in addition to all other plates or shims and placed as shown on bearing details.

BILL OF MATERIAL

Item	Unit	Total
Elastomeric Bearing Assembly, Type I	Each	24
Anchor Bolts, 1"	Each	48
Furnishing and Erecting Structural Steel	Pound	3,570
Jack and Remove Existing Bearings	Each	24

INTERIOR GIRDER REACTION TABLE

	South & North Abutments
R _Q	(k) 22.0
R _L	(k) 37.1
R _{Imp.}	(k) 10.3
R (Total)	(k) 69.4



SIDE RETAINER

Equivalent rolled angle with stiffeners will be allowed in lieu of welded plates.

BEARING DETAILS STRUCTURE NO'S. 052-0048 (SB) & 052-0049 (NB)

I-2E-1 II-1-09