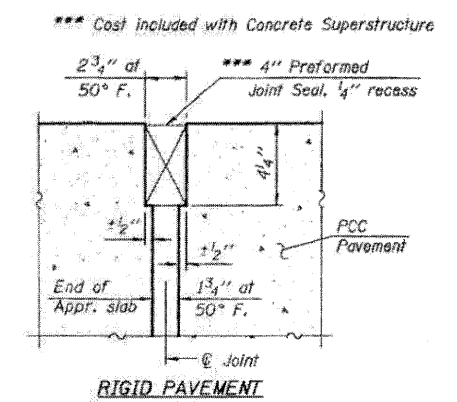
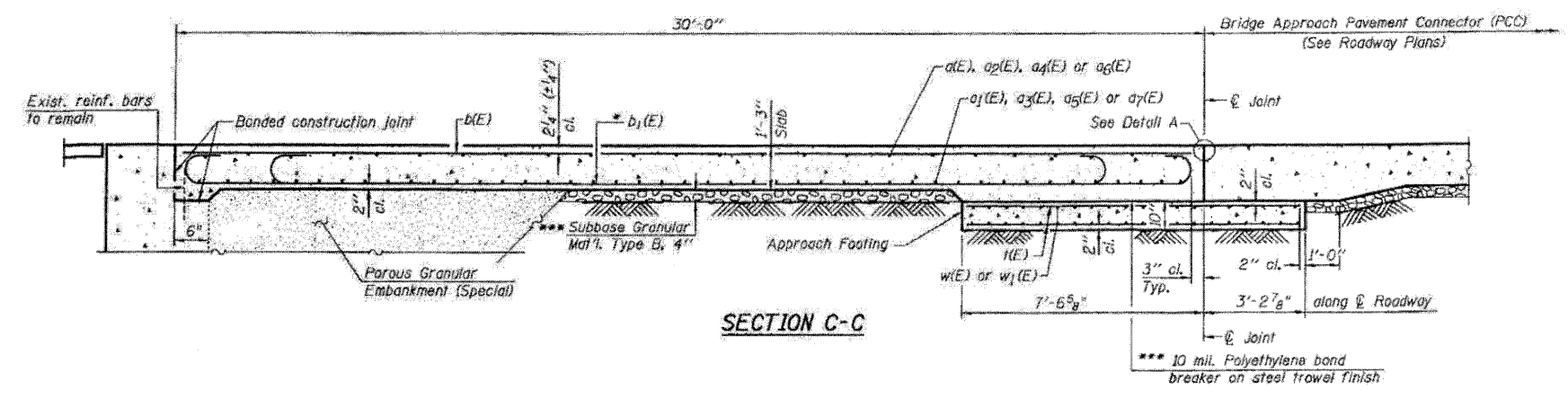
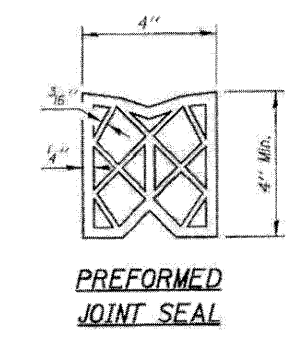
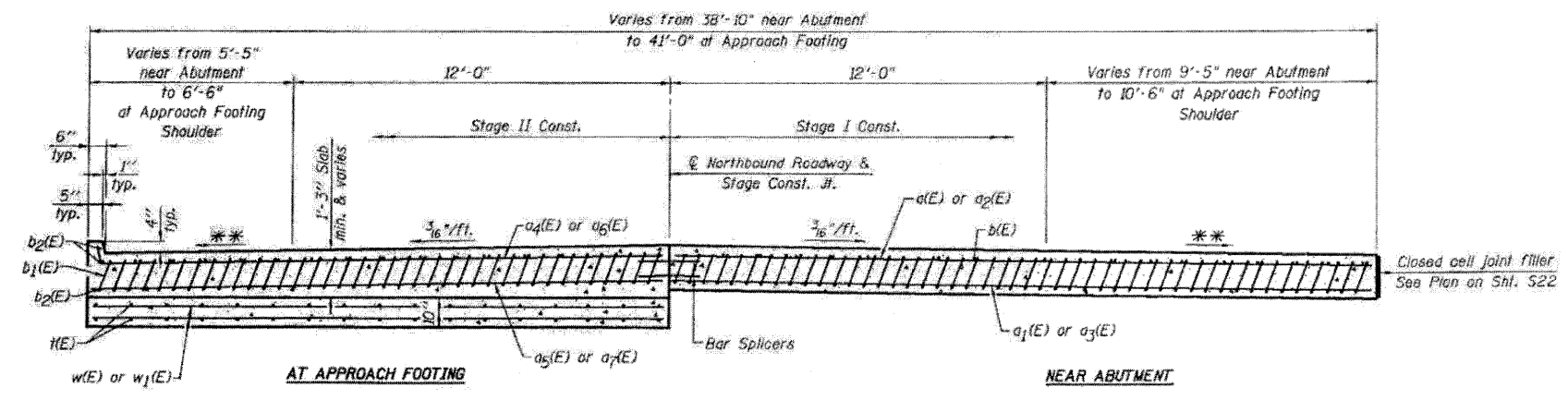


Notes:
 Approach slab and parapet concrete shall be paid for as Concrete Superstructure.
 Approach footing concrete shall be paid for as Concrete Structures.
 Reinforcement shall be paid for as Reinforcement Bars, Epoxy Coated.
 The approach footing maximum applied service bearing pressure (Qmax) = 2.0 ksf.
 For bar splicer details, see sheet S24.
 Cost of excavation for approach footing included with Concrete Structures.

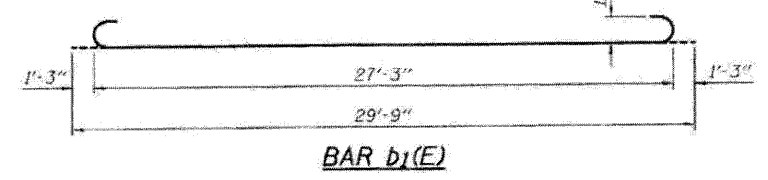
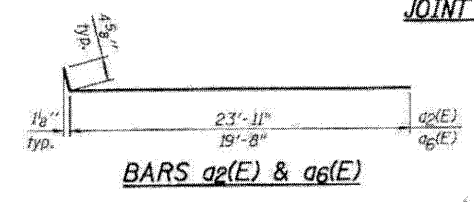


* Tilt #9b1(E) bars as required to maintain clearance.
 *** Cost included with Concrete Superstructure.



ONE APPROACH BILL OF MATERIAL

Bar	No.	Size	Length	Shape
a1(E)	7	#4	22'-9"	—
a2(E)	14	#5	22'-9"	—
a3(E)	18	#4	24'-4"	—
a4(E)	32	#5	23'-11"	—
a5(E)	7	#4	18'-5"	—
a6(E)	14	#5	18'-5"	—
a7(E)	18	#4	20'-1"	—
b1(E)	32	#5	19'-8"	—
b2(E)	34	#5	29'-8"	—
b3(E)	98	#9	29'-9"	—
b4(E)	6	#4	18'-2"	—
t(E)	84	#4	10'-5"	—
w(E)	40	#5	23'-11"	—
w1(E)	40	#5	19'-8"	—
Approach Slab Removal		Sq. Yd.	267	
Concrete Structures		Cu. Yd.	12.7	
Concrete Superstructure		Cu. Yd.	60.0	
Reinforcement Bars, Epoxy Coated		Pound	16,220	
Bar Splicers		Each	111	
Bridge Approach Shoulder Removal		Sq. Yd.	25	



** * *
 Varies from 2% at bridge to 4%