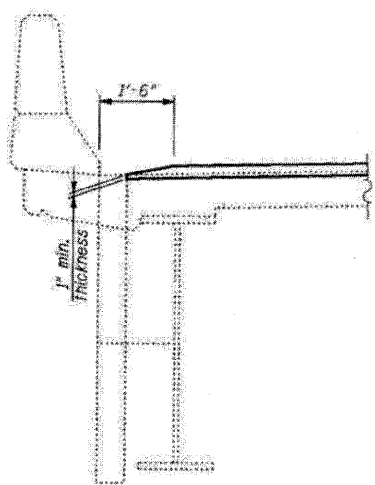
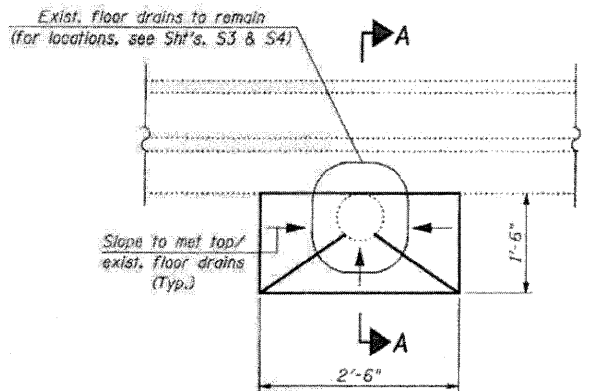


**DECK PLAN**



**SECTION A-A**



**DETAIL "A"**

(Showing overlay taper of exist. floor drains)

**LEGEND:**

- Deck Slab Repair (Full Depth, Type I)
- Deck Slab Repair (Full Depth, Type II)
- Deck Slab Repair (Partial)
- Joint Reconstruction

**NOTE "A":**

Three (3) existing 6" Floor Drains are to be removed and three (3) existing 6" Floor Drains are to remain. (Each Side)

Removed Floor Drains shall be paid for as 1'x2' Deck Slab Repair (Full Depth, Type I) Patches. (6 Total)

**NOTES:**

- For Joint Reconstruction Details, See Sht's. S5 thru S12.
- For Approach Slab Repairs, See Sht's. S17 thru S24.
- Deck Slab Repair (Partial) is Shown for Information Only.
- Areas of Deck Repairs shown are estimated. The Engineer shall show actual locations of Deck Repairs on As-Built Plans.
- Proposed Overlay to be tapered at Existing Floor Drains, see Detail "A", this Sheet.
- All Patch dimensions are in feet.
- Diaphragm spacing shown is for reference only.

**TOTAL BILL OF MATERIAL**

ITEM	UNIT	QUANTITY
Deck Slab Repair (Full Depth, Type I)	Sq. Yd.	9
Deck Slab Repair (Full Depth, Type II)	Sq. Yd.	3

FILE NAME = 0520046-64E97-03-SB-dk-pl.dwg  
 PLOT DATE = 3/29/2010  
 PLOT SCALE = 50.0000 : 1 IN.

**CHRISTIAN-BOGE & ASSOCIATES, INC.**  
 ENGINEERS-PLANNERS-SURVEYORS  
 211 WEST WACKER DRIVE  
 CHICAGO, ILLINOIS 60606  
 PHONE: (312)372-2023 FAX: (312)372-5274

DESIGNED - B.N.S./J.C.N.	REVISED -
DRAWN - D.L./F.M.	REVISED -
CHECKED - B.N.S./J.C.N.	REVISED -
DATE - MARCH, 2010	REVISED -

**STATE OF ILLINOIS**  
**DEPARTMENT OF TRANSPORTATION**

**DECK PLAN**  
**SOUTHBOUND STRUCTURE**  
**I-39 OVER B.N.R.R.**  
**S.N. 052-0046**

P.A.I. RTE. 39	SECTION 103-1, 103-2/RS	COUNTY LEE	TOTAL SHEETS 313	SHEET NO. 192
FED. ROAD DIST. NO. ILLINOIS		FED. AID PROJECT CONTRACT NO. 64E97		