
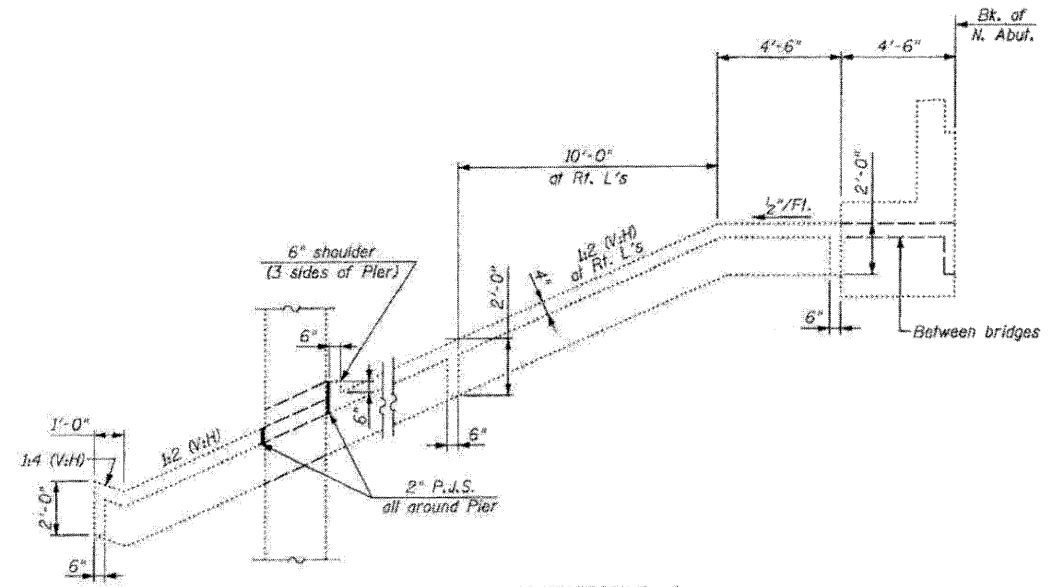


**PLAN OF NORTHWEST SLOPE WALL
SOUTHBOUND STRUCTURE**

LEGEND:

 Slope Wall Removal & Slope Wall 4 Inch



SECTION A-A

NOTES:

Areas of Slope Wall Repair shown are estimated. The Engineer shall show actual locations of Slope Wall Repair on As-Built Plans.
Slope Wall shall be reinforced with Welded Wire Fabric, 6 in. x 6 in. W4.0 x W4.0, weighing 58 lbs. per 100 sq. ft.
New and existing welded wire fabric must overlap at least 6".
Any voids shall be filled with Porous Granular Embankment prior to replacement of new Slope Wall. Cost included with Slope Wall 4 Inch.

BILL OF MATERIAL

Item	Unit	Total
Slope Wall Removal	Sq. Yd.	126
Slope Wall 4 Inch	Sq. Yd.	126

FILE NAME: 0520046-64E97-16-slope-wall
PLOT DATE: 3/29/2010
PLOT SCALE: 50.0000' / 1"

CHRISTIAN-RODGE & ASSOCIATES, INC.
ENGINEERS-PLANNERS-SURVEYORS
271 WEST WACKER DRIVE
CHICAGO, ILLINOIS 60606
PHONE: (312)372-2023 FAX: (312)372-5274

DESIGNED - B.N.S./J.C.N.
DRAWN - D.L./F.M.
CHECKED - B.N.S./J.C.N.
DATE - MARCH, 2010

REVISED -
REVISED -
REVISED -
REVISED -

**STATE OF ILLINOIS
DEPARTMENT OF TRANSPORTATION**

**SLOPE WALL REPAIR
SOUTHBOUND & NORTHBOUND STRUCTURES
I-39 OVER B.N.R.R.**

F.A.I. RTE.	SECTION	COUNTY	TOTAL SHEETS	SHEET NO.
39	(103-), 103-21R5	LEE	313	205
CONTRACT NO. 64E97				

SCALE: SHEET NO. 516 OF 527 SHEETS STA. TO STA. FED. ROAD DIST. NO. ILLINOIS FED. AID PROJECT