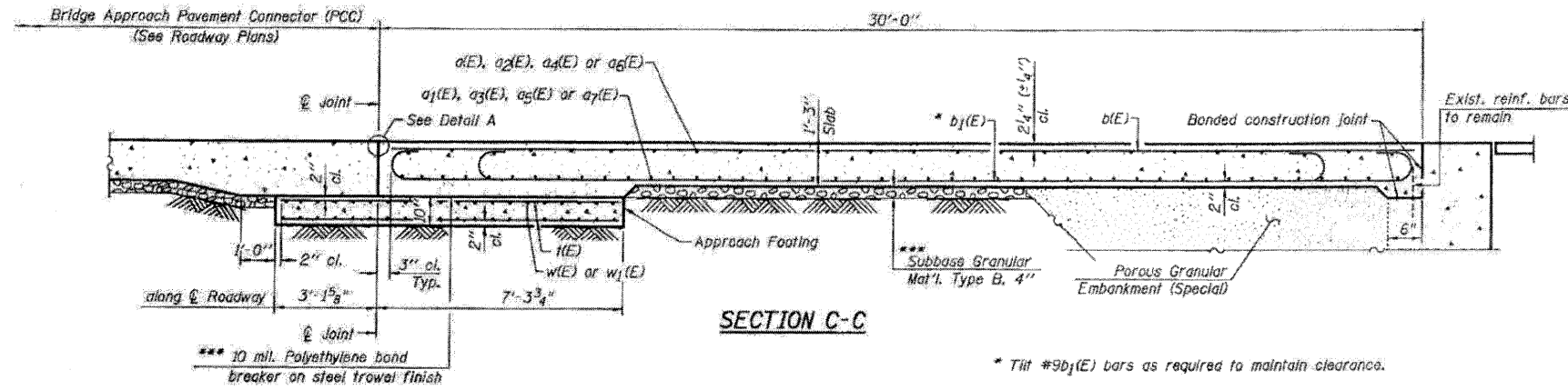
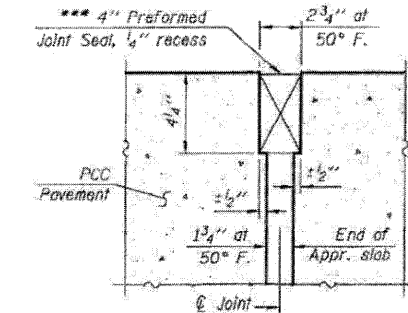


Notes:  
 Approach slab and parapet concrete shall be paid for as Concrete Superstructure.  
 Approach footing concrete shall be paid for as Concrete Structures.  
 Reinforcement shall be paid for as Reinforcement Bars, Epoxy Coated.  
 The approach footing maximum applied service bearing pressure (Amax) = 2.0 ksf.  
 For bar splicer details, see sheet S25.  
 Cost of excavation for approach footing included with Concrete Structures.



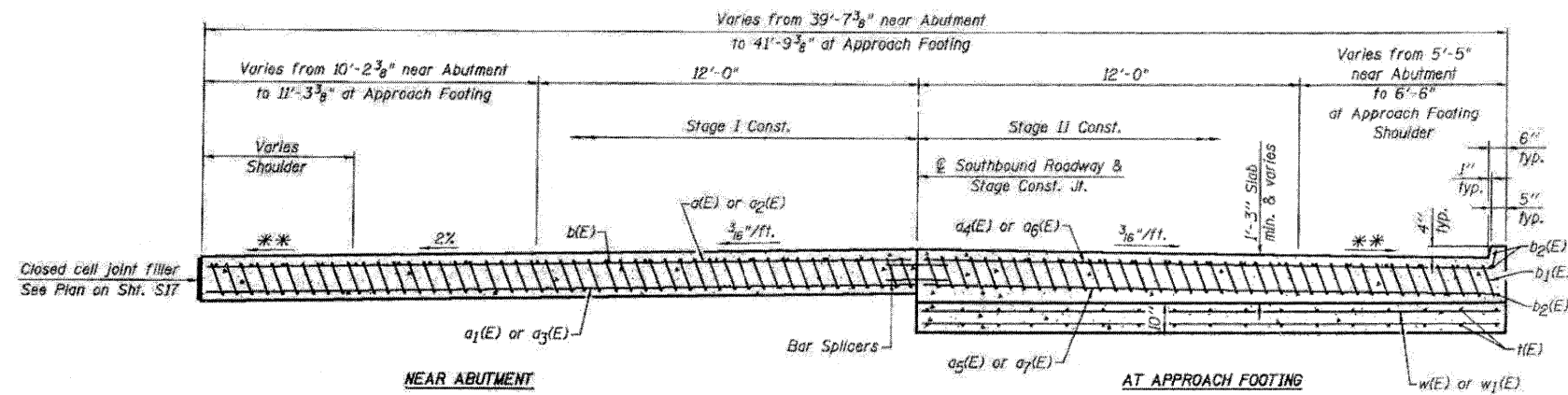
**SECTION C-C**

\*\*\* Cost included with Concrete Superstructure



**RIGID PAYEMENT**

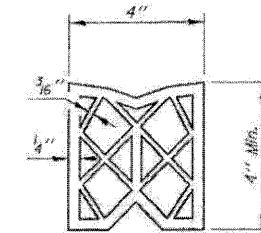
**DETAIL A**



**SECTION D-D**

(See Plan for dimensions not shown)

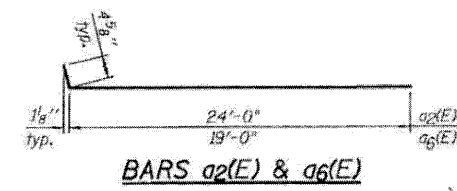
\*\*  
 Varies from 2% at bridge to 4%



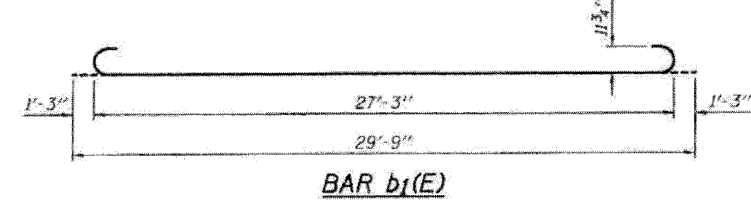
**PREFORMED JOINT SEAL**

**ONE APPROACH BILL OF MATERIAL**

Bar	No.	Size	Length	Shape
a1(E)	7	#4	22'-10"	
a1(E)	14	#5	22'-10"	
a2(E)	18	#4	24'-5"	
a3(E)	32	#5	24'-0"	
a4(E)	7	#4	17'-10"	
a5(E)	14	#5	17'-10"	
a6(E)	18	#4	19'-5"	
a7(E)	32	#5	19'-0"	
b1(E)	34	#5	29'-8"	
b1(E)	100	#9	29'-9"	
b2(E)	6	#4	18'-2"	
n(E)	86	#4	10'-1"	
w(E)	40	#5	24'-0"	
w1(E)	40	#5	19'-0"	
Approach Slab Removal		Sq. Yd.	267	
Concrete Structures		Cu. Yd.	12.9	
Concrete Superstructure		Cu. Yd.	61.0	
Reinforcement Bars, Epoxy Coated		Pound	16,360	
Bar Splicers		Each	111	
Bridge Approach Shoulder Removal		Sq. Yd.	17	



**BARS a2(E) & a6(E)**



**BAR b1(E)**