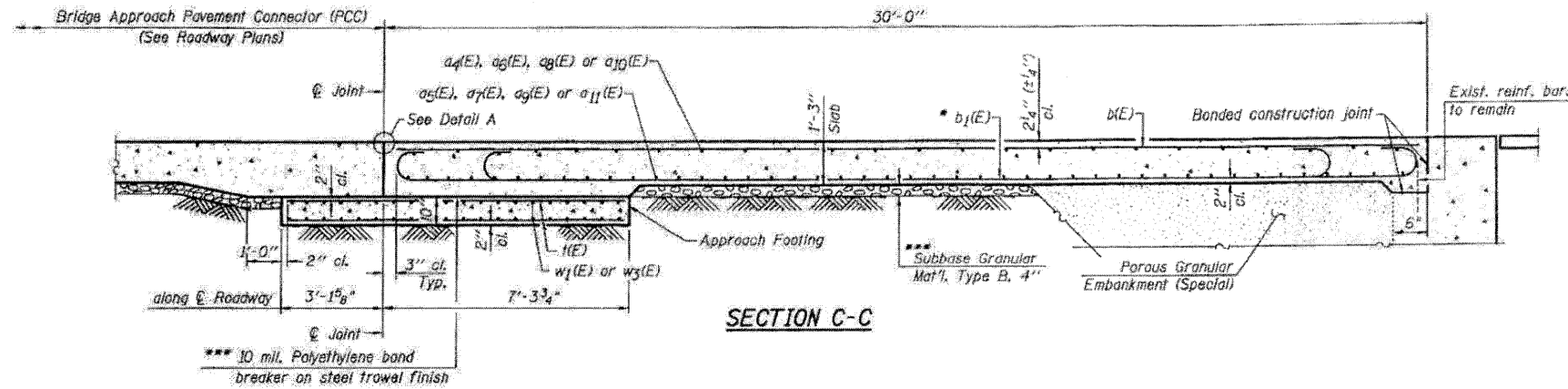


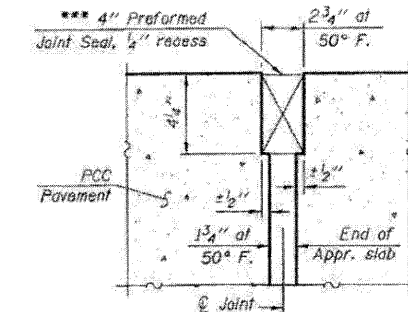
Notes:
 Approach slab and parapet concrete shall be paid for as Concrete Superstructure.
 Approach footing concrete shall be paid for as Concrete Structures.
 Reinforcement shall be paid for as Reinforcement Bars, Epoxy Coated.
 The approach footing maximum applied service bearing pressure (Qmax) = 2.0 ksf.
 For bar splicer details, see sheet S25.
 Cost of excavation for approach footing included with Concrete Structures.



** Till #9b1(E) bars as required to maintain clearance.

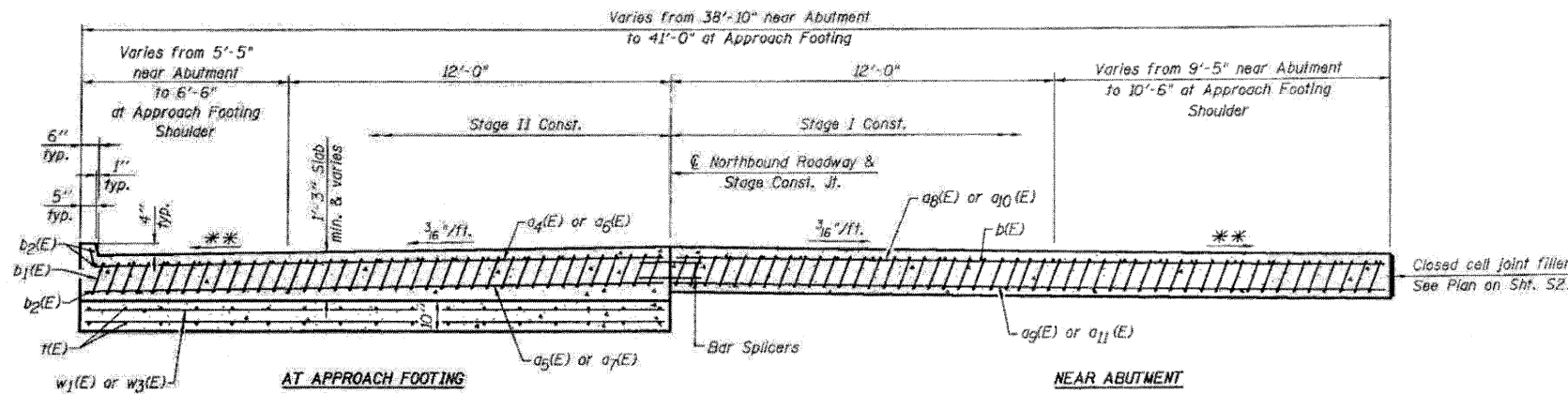
*** Cost included with Concrete Superstructure.

*** Cost included with Concrete Superstructure



RIGID PAVEMENT

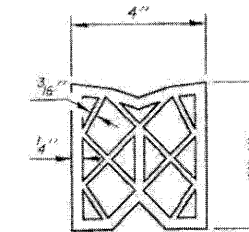
DETAIL A



SECTION D-D

(See Plan for dimensions not shown)

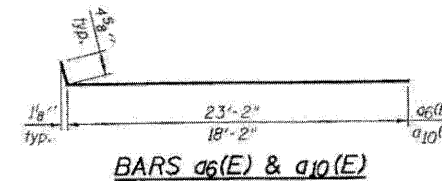
** * *
 Varies from 2% at bridge to 4%



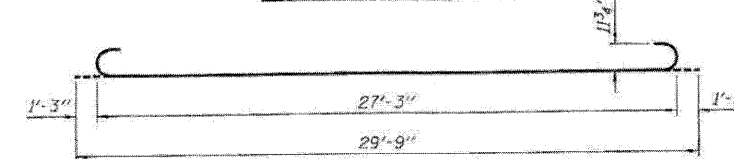
PREFORMED JOINT SEAL

ONE APPROACH BILL OF MATERIAL

Bar	No.	Size	Length	Shape
a4(E)	7	#4	17'-10"	—
a5(E)	14	#5	17'-10"	—
a6(E)	18	#4	19'-5"	—
a7(E)	32	#5	19'-0"	—
a8(E)	7	#4	22'-0"	—
a9(E)	14	#5	22'-0"	—
a10(E)	18	#4	23'-7"	—
a11(E)	32	#5	23'-2"	—
b(E)	34	#5	29'-8"	—
b1(E)	92	#9	29'-9"	—
b2(E)	6	#4	18'-2"	—
d(E)	84	#4	10'-1"	—
w1(E)	40	#5	19'-0"	—
w3(E)	40	#5	23'-2"	—
Approach Slab Removal	Sq. Yd.	267		
Concrete Structures	Cu. Yd.	12.7		
Concrete Superstructure	Cu. Yd.	60.0		
Reinforcement Bars, Epoxy Coated	Pound	16,050		
Bar Splicers	Each	111		
Bridge Approach Shoulder Removal	Sq. Yd.	19		



BARS a6(E) & a10(E)



BAR b1(E)

FILE NAME: 0520046-64E97-22-S-Appr-18
 PLOT DATE: 3/29/2010
 PLOT SCALE: 50,000 1/2 IN.

CHRISTIAN-ROGE & ASSOCIATES, INC.
 ENGINEERS-PLANNERS-SURVEYORS
 211 WEST WACKER DRIVE
 CHICAGO, ILLINOIS 60606
 PHONE: (312)372-2023 FAX: (312)372-5274

DESIGNED - B.N.S./J.C.N.
 DRAWN - D.L./F.M.
 CHECKED - B.N.S./J.C.N.
 DATE - MARCH, 2010

REVISED -
 REVISED -
 REVISED -
 REVISED -

STATE OF ILLINOIS
 DEPARTMENT OF TRANSPORTATION

SOUTH APPROACH SLAB REPAIR-II
 NORTHBOUND STRUCTURE
 I-39 OVER B.N.R.R.
 S.N. 052-0047

F.A.I. RTE.	SECTION	COUNTY	TOTAL SHEETS	SHEET NO.
39	103-1, 103-2(RS)	LEE	313	211

CONTRACT NO. 64E97
 FED. ROAD DIST. NO. [ILLINOIS] FED. AID PROJECT