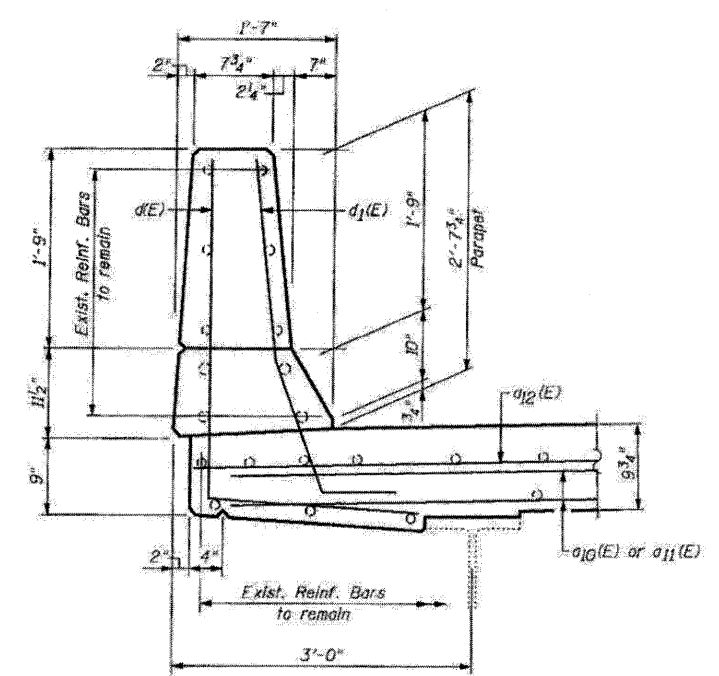


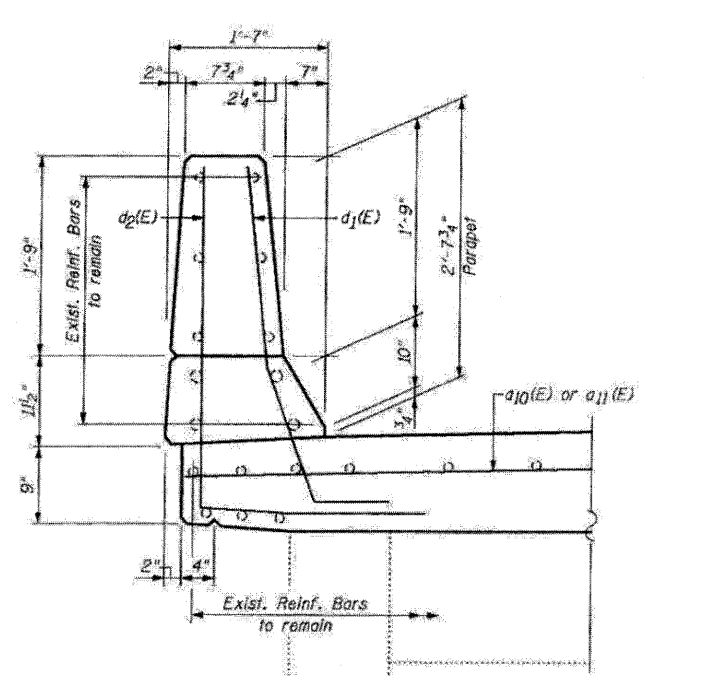
BILL OF MATERIAL

Bar	No.	Size	Length	Shape
a10(E)	11	#5	31'-6"	—
a11(E)	11	#5	18'-6"	—
a12(E)	6	#6	4'-0"	—
b2(E)	49	#5	2'-3"	└
d(E)	6	#4	5'-0"	└
d1(E)	10	#5	3'-11"	└
d2(E)	4	#4	6'-2"	└
Reinforcement Bars, Epoxy Coated		Pound	800	
Concrete Removal		Cu. Yd.	5.9	
Concrete Superstructure		Cu. Yd.	6.8	
Bar Splicers		Each	11	
Protective Coat		Sq. Yd.	3	

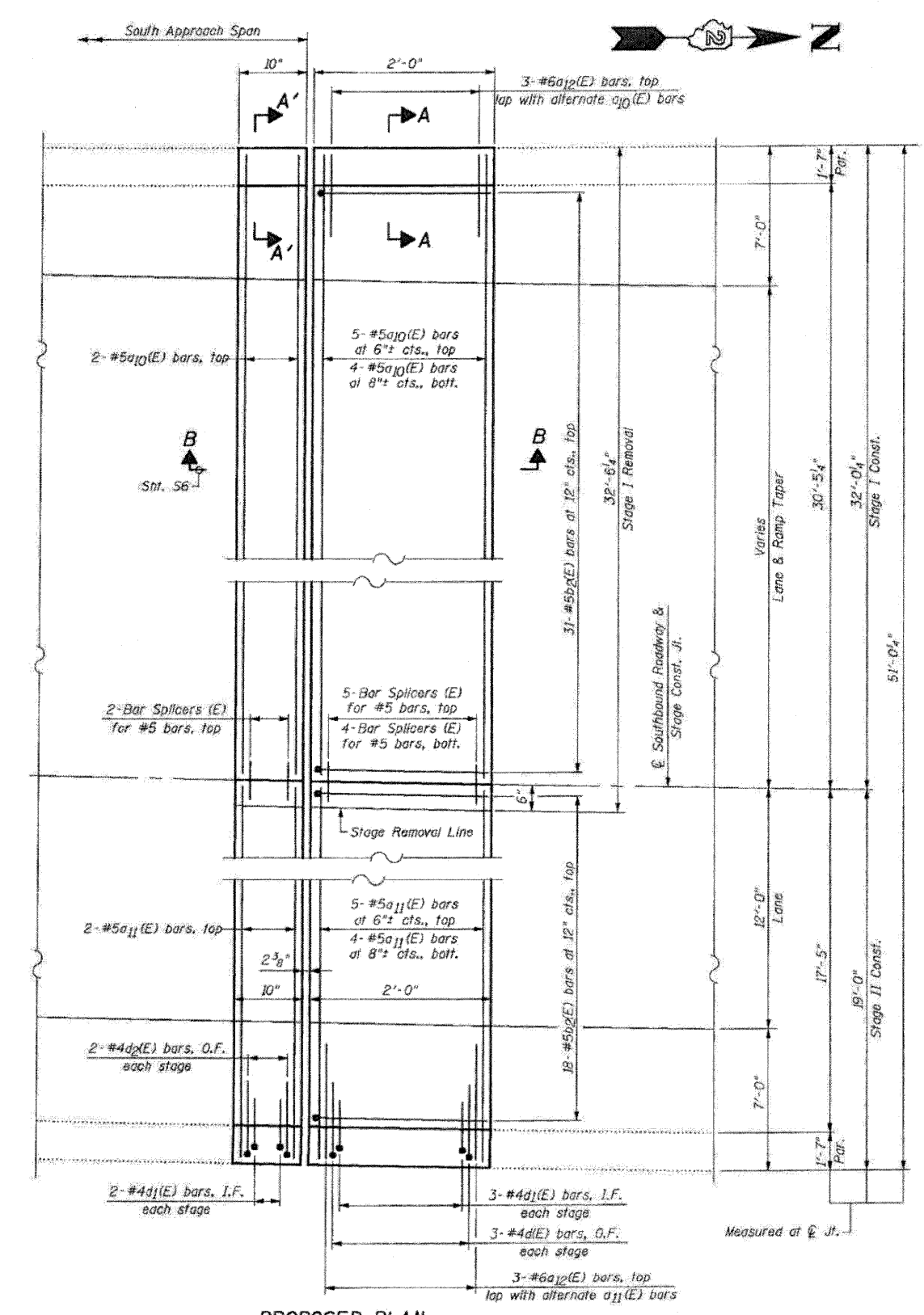
 Quantity for Top & Inside Face of Reconstructed Parapets



SECTION A-A

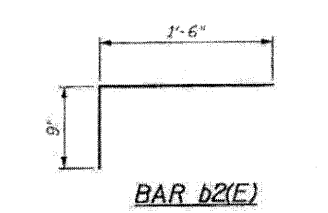


SECTION A'-A'

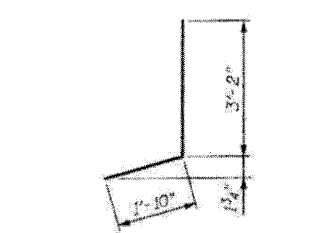


PROPOSED PLAN

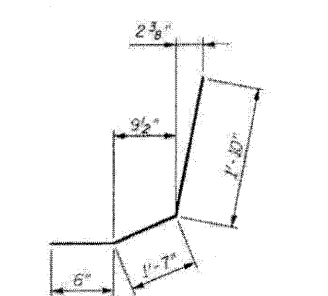
SOUTH ABUTMENT AT SOUTHBOUND STRUCTURE



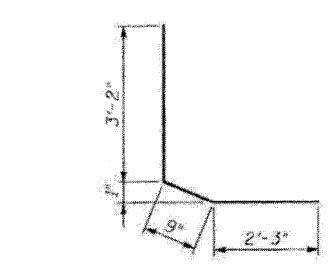
BAR b2(E)



BAR d(E)



BAR d1(E)



BAR d2(E)

LEGEND:
 O.F. = Outside Face
 I.F. = Inside Face