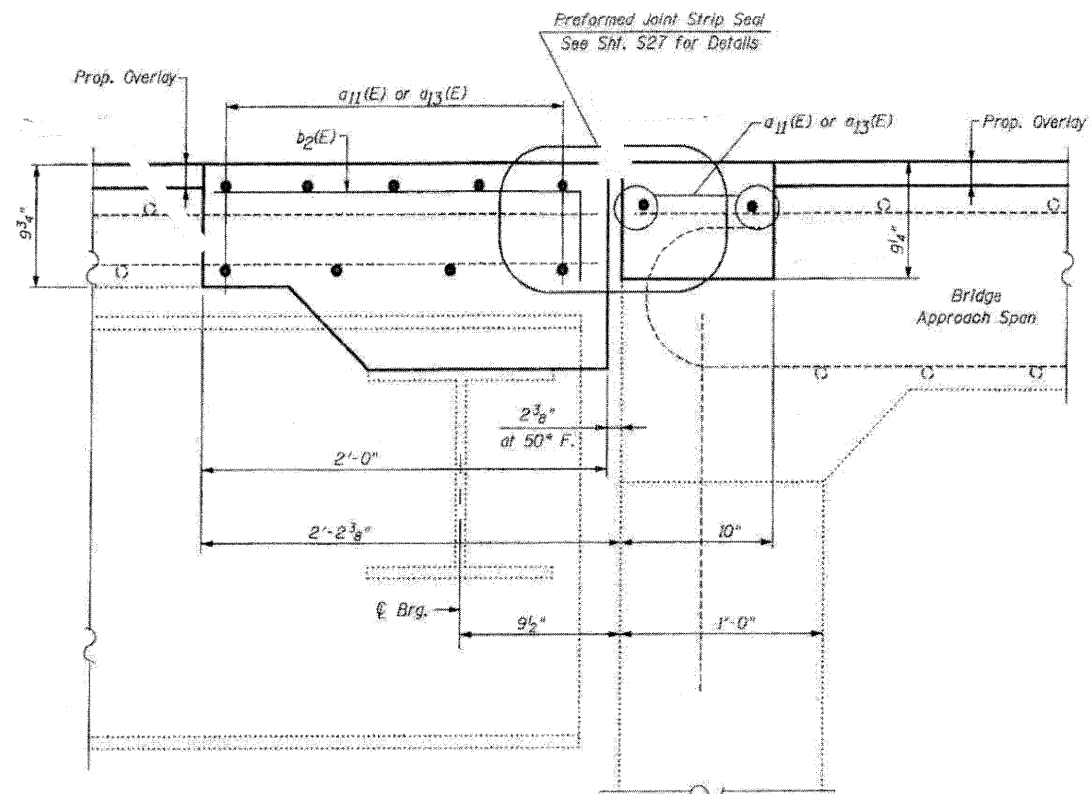


EXISTING

SECTION B-B

SOUTHBOUND ROADWAY-NORTH ABUTMENT

LEGEND:
 Concrete Removal



PROPOSED

SECTION B-B

SOUTHBOUND ROADWAY-NORTH ABUTMENT

NOTE:
 For Bar Splicer Assembly Details, See Shf. S26

FILE NAME = 852804-64E97-28-N-Abut-SB-1
 PLOT DATE = 3/29/2010
 PLOT SCALE = 5/8\"/>



CHRISTIAN-RIDGE & ASSOCIATES, INC.
 ENGINEERS-PLANNERS-SURVEYORS
 211 WEST WACKER DRIVE
 CHICAGO, ILLINOIS 60606
 PHONE: (312)372-2023 FAX: (312)372-6274

DESIGNED -	B.N.S./J.C.N.	REVISED -	
DRAWN -	D.L./F.M.	REVISED -	
CHECKED -	B.N.S./J.C.N.	REVISED -	
DATE -	MARCH, 2010	REVISED -	

STATE OF ILLINOIS
DEPARTMENT OF TRANSPORTATION

JOINT RECONSTRUCTION DETAILS AT NORTH ABUTMENT
SOUTHBOUND STRUCTURE
I-39 OVER PERRY ROAD
S.N. 052-0044

SCALE: SHEET NO. 58 OF 528 SHEETS STA. TO STA.

F.A.I. RTE.	SECTION	COUNTY	TOTAL SHEETS	SHEET NO.
39	003-1, 103-2RS	LEE	313	224
CONTRACT NO. 64E97				
FED. ROAD DIST. NO. ILLINOIS FED. AID PROJECT				